



Series 804 Push-Pull Mighty Mouse PC Tail or Solder Cup Panel Mount Plug 804-009, 804-021 Ordering Information



Panel Mount Plugs save space inside the box compared to Series 804 removable contact receptacles. Factory-installed non-removable contacts. Solder cup or printed circuit board terminals. Available in front or rear panel and flange mount versions.

Ingress Protection, Unmated Specify **804-009** connectors for applications where open face water immersion is not a requirement. For IP67 ingress protection and MIL-STD-810 Method 512 immersion requirements, specify **804-021** watertight connectors certified to meet one atmosphere pressure differential in open face condition from -40° to +70°C.

"Push-Pull" Quick-Disconnect Canted spring securely retains the mating plug.

How To Order						
Sample Part Number	804-009	-07	NF	10-26	E	A
Series	804-009 = Panel Mount Plug, Standard Potting 804-021 = Panel Mount Plug, Resilient Silicone Potting for Watertight Seal from -40° to +70°C (1 ATM Pressure Differential)					
Shell Style (See Table I)	-00 = Front Panel Mount Jam Nut (See Table IV) -02 = Flange Mount -07 = Rear Panel Mount Jam Nut (See Table III)					
Shell Material and Finish	C = Aluminum / Black Anodize (Non-Conductive); RoHS Compliant M = Aluminum / Electroless Nickel; RoHS Compliant MT = Aluminum / Nickel-PTFE RoHS Compliant NF = Aluminum / Cadmium with Olive Drab Chromate ZNU = Aluminum / Zinc-Nickel with Black Chromate Z1 = Stainless Steel / Passivated; RoHS Compliant					
Shell Size - Insert Arrangement	See Contact Arrangements Page G-2					
Contact Type	P = Pin, PC Tail E = Pin, Solder Cup S = Socket, PC Tail F = Socket, Solder Cup					
Shell Key Positions (See Table II)	Omit = Single Master Key A = Normal B = Pos. B C = Pos. C D = Pos. D E = Pos. E F = Pos. F					

Table I: Shell Style

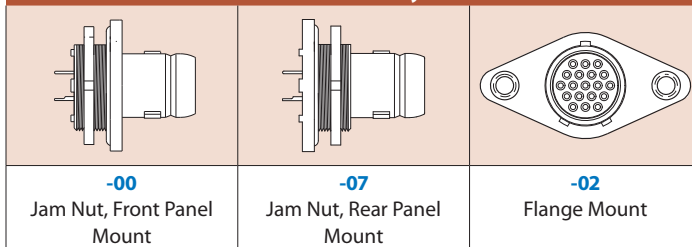
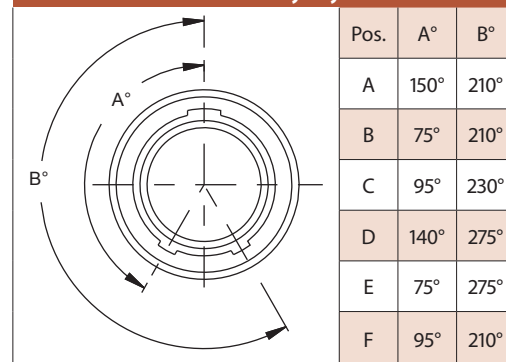


Table II: Alternate Keyway Positions



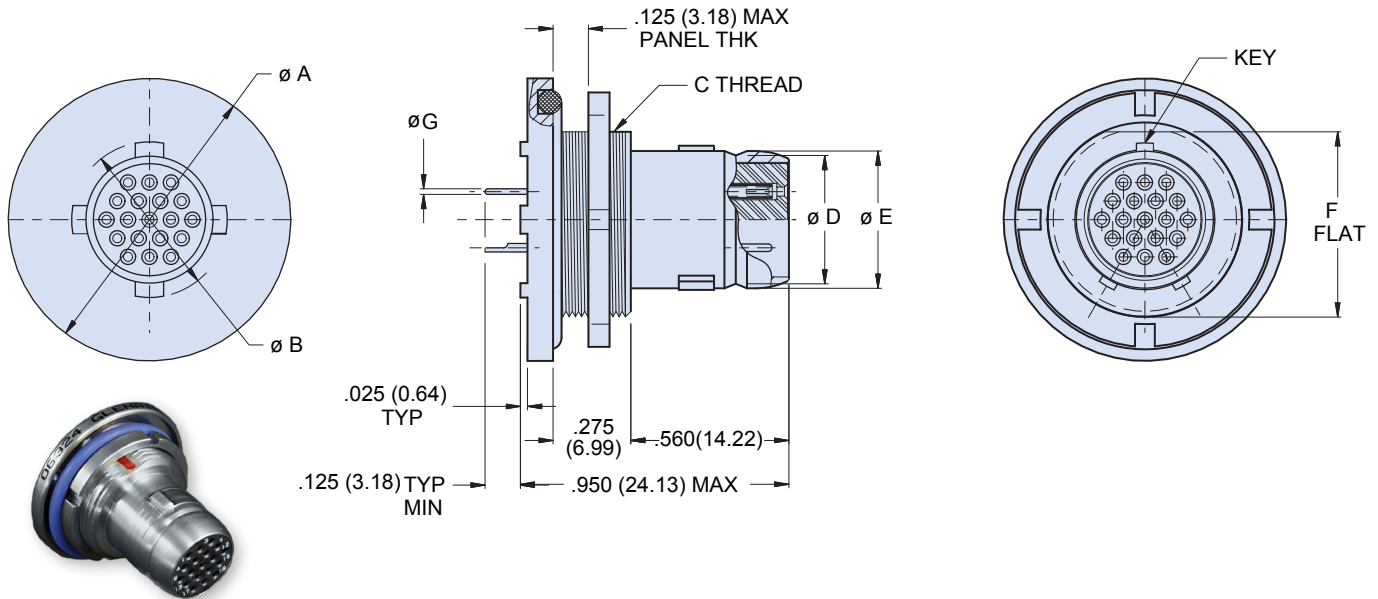
Dimensions in Inches (millimeters) are subject to change without notice.

Series 804 Push-Pull Mighty Mouse
PC Tail or Solder Cup Panel Mount Plug
804-009-07, 804-021-07 Dimensions



Series 804

Jam nut, rear panel mount plug - shell style 07



Shell Size	Ø A		Ø B		C Threads	Ø D		Ø E		F Flat		Ø G Tail Dia.
	In.	mm.	In.	mm.		In.	mm.	In.	mm.	In.	mm.	
	5	.790	20.07	.244		6.20	.4375-32 UN-2A	.219	5.56	.250	6.35	
6	.830	21.08	.330	8.38	.5000-32 UN-2A	.282	7.16	.313	7.95	.467	11.86	
7	.910	23.11	.432	10.97	.6250-28 UN-2A	.351	8.92	.383	9.73	.594	15.09	
8	.955	24.26	.493	12.52	.6250-28 UN-2A	.398	10.11	.429	10.90	.594	15.09	
9	1.000	25.40	.551	14.00	.6875-28 UN-2A	.454	11.53	.486	12.34	.655	16.64	
10	1.085	27.56	.620	15.75	.7500-28 UN-2A	.529	13.44	.563	14.30	.721	18.31	
11	1.135	28.83	.662	16.81	.8125-28 UN-2A	.587	14.91	.618	15.70	.790	20.07	
12	1.180	29.97	.703	17.86	.8750-28 UN-2A	.646	16.41	.676	17.17	.843	21.41	
14	1.325	33.66	.863	21.92	1.0000-28 UN-2A	.768	19.51	.800	20.32	.968	24.59	

Shell Size	Rear Mount Jam Nut Panel Cutout			
	A Flat		Ø B	
	In. ± .002	mm. ± 0.05	In. ± .005	mm. ± 0.13
5	.423	10.74	.448	11.38
6	.475	12.07	.510	12.95
7	.588	14.94	.635	16.13
8	.602	15.29	.635	16.13
9	.663	16.84	.695	17.65
10	.729	18.82	.760	19.30
11	.798	20.27	.822	20.88
12	.851	21.62	.885	22.48
14	.976	24.79	1.010	25.65

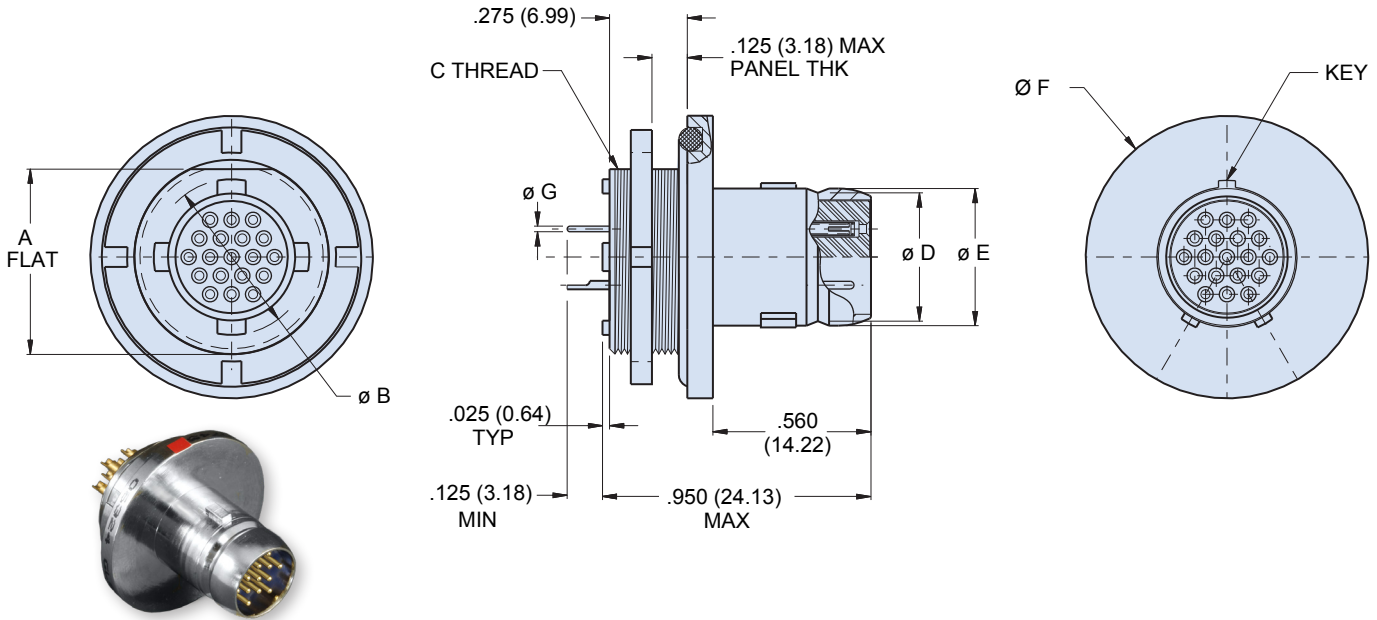
Dimensions in Inches (millimeters) are subject to change without notice.





**Series 804 Push-Pull Mighty Mouse
PC Tail or Solder Cup Panel Mount Plug
804-009-00, 804-021-00 Dimensions**

Jam nut, front panel mount plug - style 00



Dimensions												
Shell Size	A Flat		Ø B		C Threads	Ø D		Ø E		Ø F		Ø G Tail Dia.
	In.	mm.	In.	mm.		In.	mm.	In.	mm.	In.	mm.	
5	.415	10.54	.244	6.20	.4375-32 UN-2A	.219	5.56	.250	6.35	.790	20.07	#23 .018/.022 (0.46/0.56) #20 .024/.028 (0.61/0.71) #16 .060/.064 (1.52/1.63) #12 .092/.096 (2.34/2.44)
6	.467	11.86	.330	8.38	.5000-32 UN-2A	.282	7.16	.313	7.95	.830	21.08	
7	.594	15.09	.432	10.97	.6250-28 UN-2A	.351	8.92	.383	9.73	.910	23.11	
8	.594	15.09	.493	12.52	.6250-28 UN-2A	.398	10.11	.429	10.90	.955	24.26	
9	.655	16.64	.551	14.00	.6875-28 UN-2A	.454	11.53	.486	12.34	1.000	25.40	
10	.721	18.31	.620	15.75	.7500-28 UN-2A	.529	13.44	.563	14.30	1.085	27.56	
11	.790	20.07	.662	16.81	.8125-28 UN-2A	.587	14.91	.618	15.70	1.135	28.83	
12	.843	21.41	.703	17.86	.8750-28 UN-2A	.646	16.41	.676	17.17	1.180	29.97	
14	.968	24.59	.863	21.92	1.0000-28 UN-2A	.768	19.51	.800	20.32	1.325	33.66	

Front Mount Jam Nut Panel Cutout				
Shell Size	A Flat		Ø B	
	In. ±.002	mm. ±0.05	In. ±.005	mm. ±0.13
5	.423	10.74	.448	11.38
6	.475	12.07	.510	12.95
7	.588	14.94	.635	16.13
8	.602	15.29	.635	16.13
9	.663	16.84	.698	17.73
10	.729	18.82	.760	19.30
11	.798	20.27	.823	20.90
12	.851	21.62	.885	22.48
14	.976	24.79	1.010	25.65

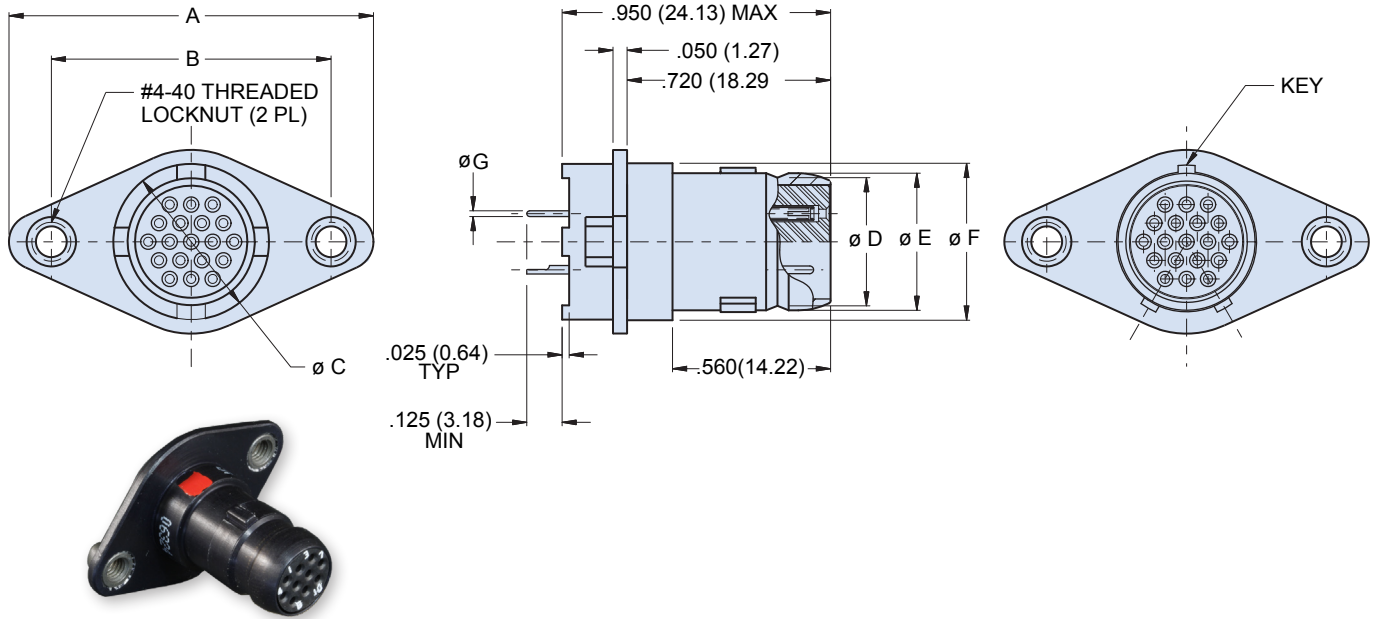
Dimensions in Inches (millimeters) are subject to change without notice.

Series 804 Push-Pull Mighty Mouse
PC Tail or Solder Cup Panel Mount Plug
804-009-02, 804-021-02 Dimensions



Series 804

Flange mount receptacle - style 02



Dimensions													
Shell Size	A		B		Ø C		Ø D		Ø E		Ø F		Ø G Tail Dia.
	In.	mm.	In.	mm.	In.	mm.	In.	mm.	In.	mm.	In.	mm.	
5	1.055	26.80	.755	19.18	.244	6.20	.219	5.56	.250	6.35	.320	8.13	#23 .018/.022 (0.46/0.56) #20 .024/.028 (0.61/0.71) #16 .060/.064 (1.52/1.63) #12 .092/.096 (2.34/2.44)
6	1.120	28.45	.820	20.83	.330	8.38	.282	7.16	.313	7.95	.385	9.78	
7	1.185	30.10	.885	22.48	.432	10.97	.351	8.92	.383	9.73	.450	11.43	
8	1.230	31.24	.930	23.62	.493	12.52	.398	10.11	.429	10.90	.495	12.57	
9	1.290	32.77	.990	25.15	.551	14.00	.454	11.53	.486	12.34	.555	14.10	
10	1.360	34.54	1.060	26.92	.620	15.75	.529	13.44	.563	14.30	.625	15.88	
11	1.420	36.07	1.120	28.45	.662	16.81	.587	14.91	.618	15.70	.690	17.53	
12	1.485	37.72	1.185	30.10	.703	17.86	.646	16.41	.676	17.17	.750	19.05	
14	1.600	40.64	1.300	33.02	.863	21.92	.768	19.51	.800	20.32	.865	21.97	
15	1.665	42.29	1.365	34.67	.912	23.16	.828	21.03	.860	21.84	.930	23.62	

Dimensions in Inches (millimeters) are subject to change without notice.