

Series 804 Push-Pull Mighty Mouse Cobra™ Plug with Integral Cobra Backshell

804-066-06 Ordering Information



Series 804



Series 804 plug with integral Cobra™ style ultra-low profile right angle banding backshell reduces clearance requirements without compromising ruggedness, environmental protection or shielding performance. Rear cover allows easy access for soldering wires or installing snap-in crimp pins. Cover gasket prevents moisture intrusion. Cover has lip for finger grip release. Eight clocking positions. Aluminum or stainless steel housing, gold-plated copper alloy contacts, fluorosilicone gasket. Crimp version features snap-in rear release contacts, high-grade rigid dielectric insulators and fluorosilicone wire seal. Solder version features factory-installed, epoxy potted solder cup contacts.

Available with 3 to 55 contacts, these 804 Cobra™ plugs feature size #23 contacts for AWG 22-28 wire.

How To Order							
Sample Part Number	804-066-06	ZNU	8-13	P	A	1	05
Series	804-066-06 = Push Pull Plug						
Shell Material and Finish	M = Aluminum / Electroless Nickel; RoHS Compliant MT = Aluminum / Nickel-PTFE RoHS Compliant NF = Aluminum / Cadmium with Olive Drab Chromate ZNU = Aluminum / Zinc-Nickel with Black Chromate Z1 = Stainless Steel / Passivated; RoHS Compliant						
Shell Size - Insert Arrangement	5-3, 6-4, 6-6, 6-7, 7-10, 8-13, 9-19, 10-26, 12-37, 14-55						
Contact Type	A = Pin, Solder Cup P = Pin, Crimp B = Socket, Solder Cup S = Socket, Crimp						
Shell Key Positions (See Table I)	Omit = Single Master Key A = Normal B = Pos. B C = Pos. C D = Pos. D E = Pos. E F = Pos. F						
Cable Exit Direction (See Table III)	1 through 8 See Exit Direction Table						
Cable Entry Size (See Table II)	2 through 12						

Code	A°	B°	Code	A°	B°
A	150°	210°	D	140°	275°
B	75°	210°	E	75°	275°
C	95°	230°	F	95°	210°



Rev 1120117

Dimensions in Inches (millimeters) are subject to change without notice.

© 2014 Glenair, Inc.

Series 80 Mighty Mouse

U.S. CAGE Code 06324

Printed in U.S.A.

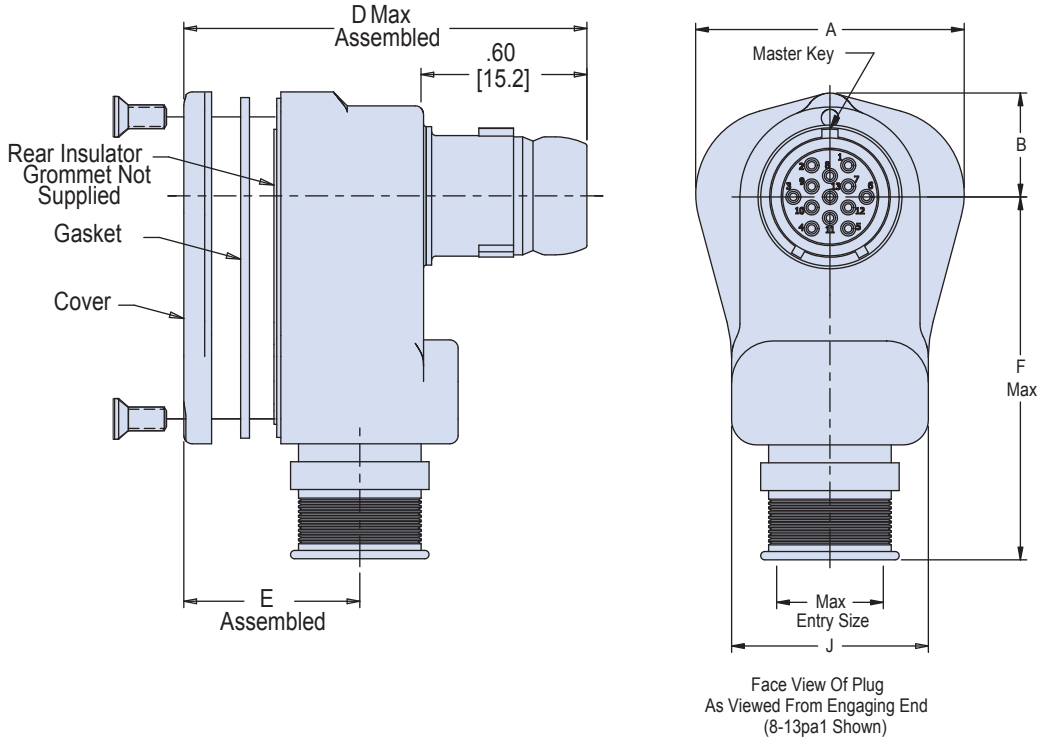
GLENAIR, INC. • 1211 AIR WAY • GLENDALE, CA 91201-2497 • 818-247-6000 • FAX 818-500-9912
www.glenair.com **G-9** E-Mail: sales@glenair.com



Series 804 Push-Pull Mighty Mouse Cobra Plug with Integral Cobra Backshell

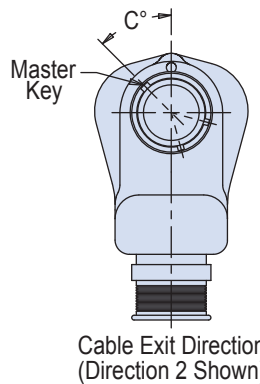
804-066-06 Dimensions

Right angle low profile cable plug



Dimensions									
Shell Size	Ø A	B	D Max	E Max	F	G Max	H Max	J	Max Entry Size
5	.67(17.0)	.27(6.9)	1.03(26.2)	.32 (8.1)	1.21 (30.7)	1.34 (34.0)	1.16(29.5)	.500(12.7)	03
6	.75(19.1)	.30(7.6)	1.08(27.4)	.34 (8.6)	1.24 (31.5)	1.39 (35.3)	1.21(30.7)	.560(14.2)	04
7	.88(22.4)	.34(8.6)	1.20(30.5)	.39 (9.9)	1.28 (32.5)	1.50 (38.1)	1.32(33.5)	.650(16.5)	05
8	.97(24.6)	.38(9.7)	1.24(31.5)	.42 (10.7)	1.31 (33.3)	1.54 (39.1)	1.36(34.5)	.710(18.0)	06
9	1.06(26.9)	.41(10.4)	1.30(33.0)	.45 (11.4)	1.34 (34.0)	1.61 (40.9)	1.43(36.3)	.770(19.6)	07
10	1.15(29.2)	.44(11.2)	1.35(34.3)	.48 (12.2)	1.37 (34.8)	1.66 (42.2)	1.47(37.3)	.835(21.2)	08
12	1.33(33.8)	.50(12.7)	1.44(36.6)	.52 (13.2)	1.48 (37.6)	1.75 (44.5)	1.56(39.6)	.950(24.1)	10
14	1.46 (37.1)	.56 (14.2)	1.53 (38.9)	.58 (14.7)	1.64 (41.7)	1.84 (46.7)	1.69 (42.9)	1.070 (27.18)	12

Direction	C°
1	0°
2	45°
3	90°
4	135°
5	180°
6	225°
7	270°
8	315°



Dimensions in Inches (millimeters) are subject to change without notice.

Series 804 Push-Pull Mighty Mouse Cobra Plug with Integral Cobra Backshell

804-066-06 Dimensions



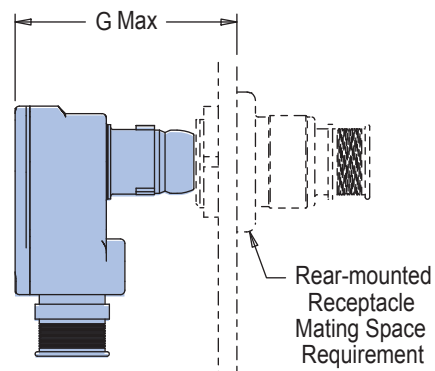
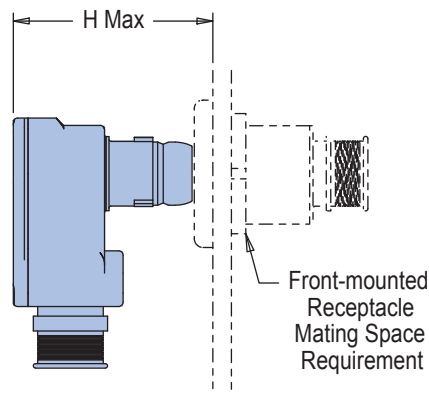
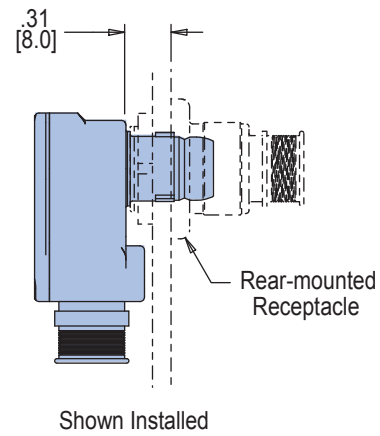
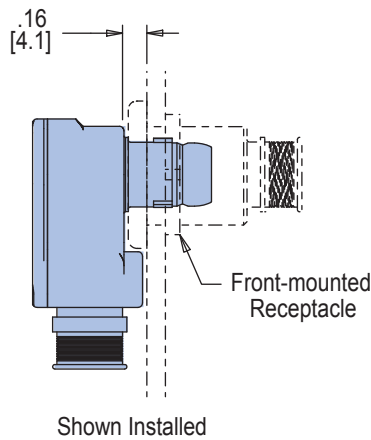
Series 804

Arrangements Per Shell Size	
Shell Size	Contact Arrangement*
5	5-3
6	6-4,6-6,6-7
7	7-10
8	8-13
9	9-19
10	10-26
12	12-37
14	14-55

* Number Following Dash = Number Of Contacts

Table III: Cable Entry	
Code	Entry Size
02	0.125
03	0.188
04	0.250
05	0.313
06	0.375
07	0.438
08	0.500
09	0.563
10	0.625
11	0.688
12	0.750

Mating Space Requirements



Dimensions in Inches (millimeters) are subject to change without notice.

