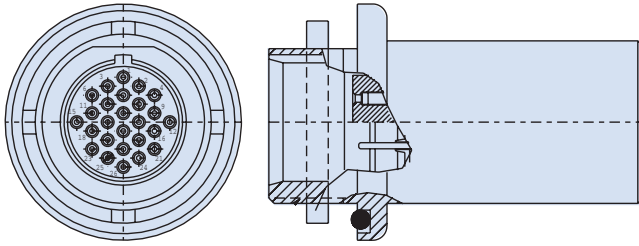




Series 804 Push-Pull Mighty Mouse Bulkhead Feed-Thru Receptacle

804-067-07 Ordering Information



Series 804 Bulkhead Feed-Thru Receptacle

Use when it is desirable to have a separable connection on both sides of the mounting panel. Jam nut receptacle features three contact options: pin/socket (preferred version), pin/pin or socket/socket. Contacts are factory installed and are not removable. Available in aluminum or stainless steel. Gold-plated copper alloy contacts and ground spring, high-grade rigid dielectric insulator, fluorosilicone seals. Note: use caution when specifying pin/pin or socket/socket versions. the arrangement pattern is mirrored about the vertical axis.

How To Order

Sample Part Number	804-067	-07	M	6-7	P	P	A
Series	804-067 = Bulkhead Feed-Thru Receptacle						
Shell Style	-07 = Jam Nut						
Shell Material and Finish	C = Aluminum / Black Anodize (Non-Conductive); RoHS Compliant M = Aluminum / Electroless Nickel; RoHS Compliant MT = Aluminum / Nickel-PTFE RoHS Compliant NF = Aluminum / Cadmium with Olive Drab Chromate ZN = Aluminum / Zinc-Nickel with Olive Drab Chromate ZNU = Aluminum / Zinc-Nickel with Black Chromate Z1 = Stainless Steel / Passivated; RoHS Compliant						
Shell Size - Insert Arrangement	Available in Shell Sizes 5 thru 14. See Contact Arrangements Page G-3						
Contact Type Jam Nut Side	P = Pin S = Socket						
Contact Type Other Side	P = Pin S = Socket						
Shell Key Positions (See Table I)	A = Normal B = Pos. B C = Pos. C D = Pos. D E = Pos. E F = Pos. F						

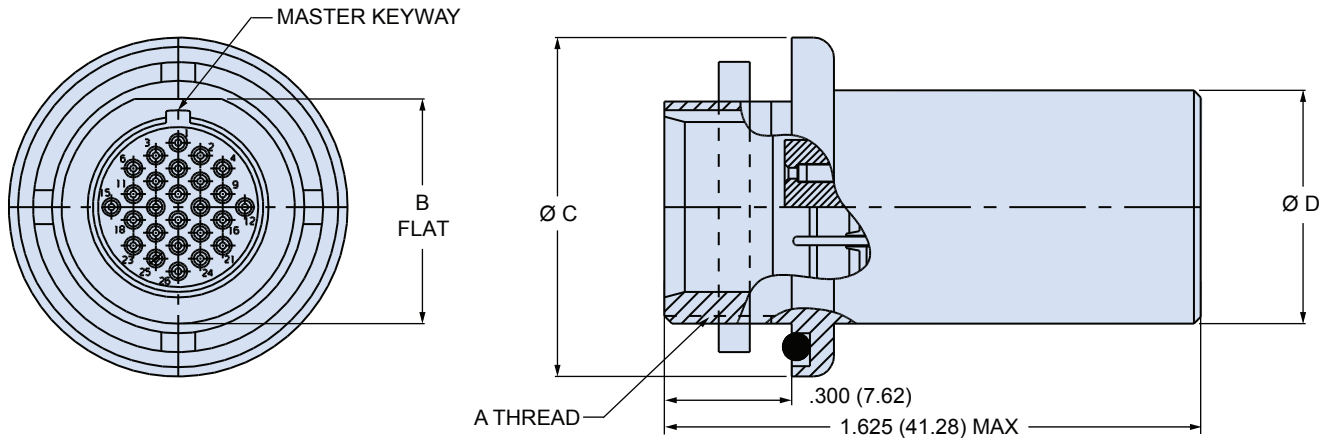
Dimensions in Inches (millimeters) are subject to change without notice.

Series 804 Push-Pull Mighty Mouse
Bulkhead Feed-Thru Receptacle
804-067-07 Dimensions



Series 804

Rear panel, jam nut mount - style 07



Dimensions							
Shell Size	A Thread	B Flat		Ø C		Ø D	
		In.	mm.	In.	mm.	In.	mm.
5	.4375-32 UN-2A	.415	10.54	.730	18.54	.450	11.43
6	.5000-32 UN-2A	.467	11.86	.730	18.54	.480	12.19
7	.6250-28 UN-2A	.580	14.73	.900	22.86	.580	14.73
8	.6250-28 UN-2A	.580	14.73	.945	24.00	.603	15.32
9	.6875-28 UN-2A	.655	16.64	1.000	25.40	.695	17.65
10	.7500-28 UN-2A	.721	18.31	1.075	27.31	.735	18.67
11	.8750-28 UN-2A	.790	20.07	1.140	28.96	.810	20.57
12	8125-28 UN-2A	.843	21.41	1.190	30.23	.880	22.35
14	8750-28 UN-2A	.968	24.59	1.312	33.32	1.010	25.65

Table I: Alternate Key Positions

Key Position	Key Rotation	
	A°	B°
A	150°	210°
B	75°	210°
C	95°	230°
D	140°	275°
E	75°	275°
F	95°	210°

Rear Mount Jam Nut Panel Cutout

Shell Size	E Flat		Ø F	
	In.	mm.	In.	mm.
5	.425/.421	10.80/10.69	.448	11.38
6	.477/.473	12.12/12.01	.510	12.95
7	.590/.586	14.99/14.88	.635	16.13
8	.590/.586	14.99/14.88	.635	16.13
9	.665/.661	16.89/16.79	.698	17.73
10	.731/.727	18.57/18.47	.760	19.30
11	.800/.796	20.32/20.22	.823	20.90
12	.853/.849	21.67/21.56	.885	22.48
14	.978/.974	24.84/24.74	1.010	25.65

Dimensions in Inches (millimeters) are subject to change without notice.

