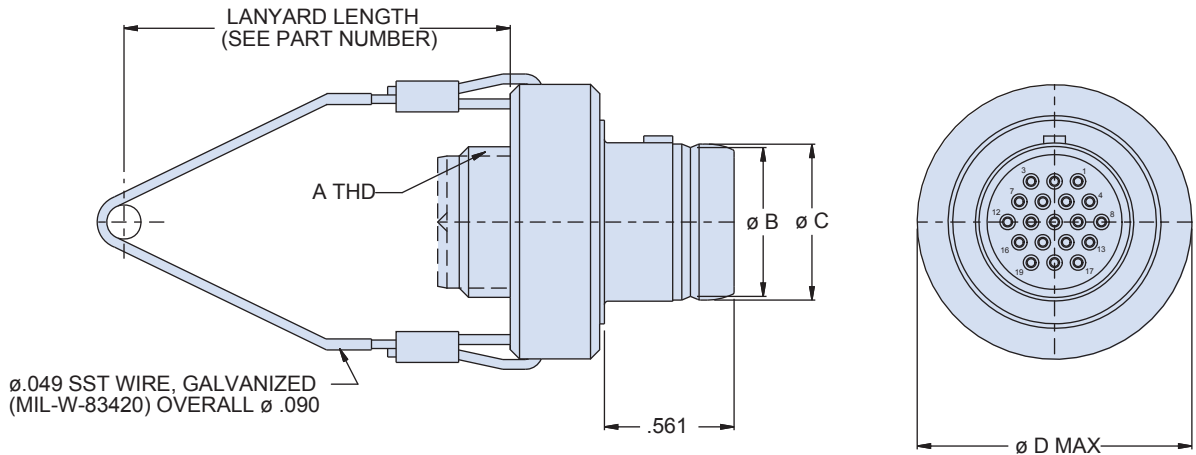


Series 804 Push-Pull Mighty Mouse Quick-Release Lanyard Plug 804-113 Dimensions

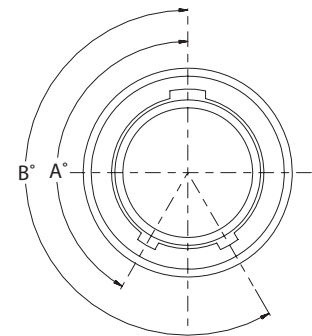


Series 804



Shell Size	A Thread	Dimensions					
		Ø B		Ø C		Ø D MAX	
		In	mm	In	mm	In	mm
5	.250-32 UNEF	0.219	5.56	0.250	6.35	0.812	20.62
6	.3125-32 UNEF	0.282	7.16	0.313	7.95	0.875	22.23
7	.4375-28 UNEF	0.351	8.92	0.383	9.73	0.938	23.83
8	.5000-28 UNEF	0.398	10.11	0.429	10.90	1.000	25.40
9	.5625-24 UNEF	0.454	11.53	0.486	12.34	1.062	26.97
10	.6250-24 UNEF	0.529	13.44	0.563	14.30	1.125	28.58
11	.6875-24 UNEF	0.587	14.91	0.618	15.70	1.188	30.18
12	.6875-24 UNEF	0.646	16.41	0.676	17.17	1.250	31.75
14	.9375-20 UNEF	0.768	19.51	0.800	20.32	1.375	34.93
15	.9375-20 UNEF	0.828	21.03	0.860	21.84	1.438	36.53

Table I: Alternate Key Positions



Key Position	Key Rotation	
	A°	B°
A	150°	210°
B	75°	210°
C	95°	230°
D	140°	275°
E	75°	275°
F	95°	210°

NOTES

- Contacts are size 23 crimp type, and are used in a rear release retention system
- Crimp barrel accommodates 22, 24, 26 and 28 gage wire
- Crimp tool data:
 - crimp frame: M22520/2-01
 - Positionser for use with crimp frame: Glenair part number 809-005
 - insertion/extraction tool: Glenair part number 809-088
- This connector, plug mates with all push/pull high density receptacle connectors with same polarization and opposite contact gender 804-0044, 804-004, 804-005, 804-006, and 804-114
- Red stripe indicator for alignment during mating
- Connector releases from 0° to 15°, 15° release force will vary

Dimensions in Inches (millimeters) are subject to change without notice.