

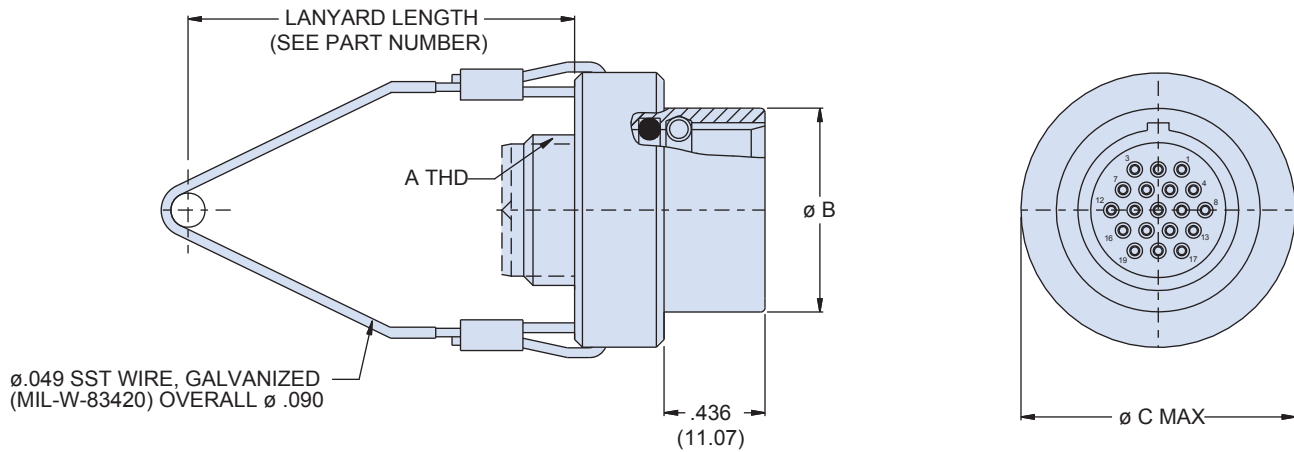


# Series 804 Push-Pull Mighty Mouse Quick-Release Lanyard Receptacle

## 804-114 Dimensions



Series 804



Dimensions					
Shell Size	A Thread	Ø B		Ø C MAX	
		In	mm	In	mm
5	.250-32 UNEF	0.450	11.43	0.812	20.62
6	.3125-32 UNEF	0.480	12.19	0.875	22.23
7	.4375-28 UNEF	0.580	14.73	0.938	23.83
8	.500-28 UNEF	0.600	15.24	1.000	25.40
9	.5265-24 UNEF	0.690	17.53	1.062	26.97
10	.6250-24 UNEF	0.735	18.67	1.125	28.58
11	.6875-24 UNEF	0.788	20.02	1.188	30.18
12	.6875-24 UNEF	0.880	22.35	1.250	31.75
14	.9375-20 UNEF	0.973	24.71	1.375	34.93
15	.9375-20 UNEF	1.028	26.11	1.438	36.53

**Table I: Alternate Key Positions**

Key Position	Key Rotation	
	A°	B°
A	150°	210°
B	75°	210°
C	95°	230°
D	140°	275°
E	75°	275°
F	95°	210°

### NOTES

- Contacts are size 23 crimp type, and are used in a rear release retention system
- Crimp barrel accommodates 22, 24, 26 and 28 gage wire
- Crimp tool data:
  - crimp frame: M22520/2-01
  - Positioner for use with crimp frame: Glenair part number 809-005
  - insertion/extraction tool: Glenair part number 809-088
- This connector, plug mates with all push/pull high density receptacle connectors with same polarization and opposite contact gender (804-001, 804-002, 804-113)
- Red stripe indicator for alignment during mating
- Connector releases from 0° to 15°, 15° release force will vary

Dimensions in Inches (millimeters) are subject to change without notice.