

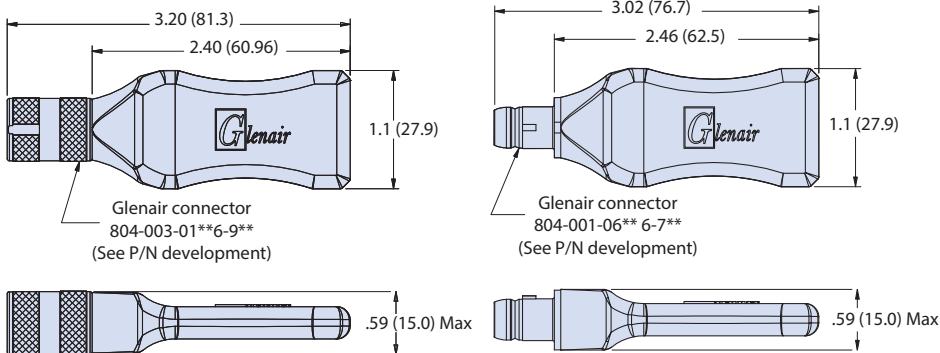


# Glenair Mighty Mouse Series 804 Push/Pull USB 2.0 Flash Drive

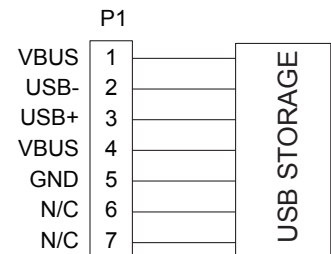
808-001

How To Order						
<b>Sample Part Number</b>	<b>808-001</b>	<b>A</b>	<b>ZNU</b>	<b>A</b>	<b>32</b>	<b>R</b>
<b>Series/Basic Number</b>	808-001 = Push/Pull Style USB 2.0 Flash Drive					
<b>Connector Designator</b>	A - Plug w/ pins      B - Plug w/ sockets					
	C - Receptacle w/ pins      D - Receptacle w/ sockets					
<b>Finish Code</b>	C = Aluminum / Black Anodize (Non-Conductive) RoHS Compliant M = Aluminum / Electroless Nickel RoHS Compliant NF = Aluminum / Cadmium with Olive Drab Chromate ZN = Aluminum / Zinc-Nickel with Olive Drab Chromate ZNU = Aluminum / Zinc-Nickel with Black Chromate MT = Aluminum / Nickel-PTFE RoHS Compliant Z1 = Stainless Steel / Passivated RoHS Compliant					
<b>Shell Key</b>	A, B, C, or D; Omit for single Master Key					
<b>Storage Size</b>	8, 16, 32, or 64					
<b>Protective Cover</b>	P - Metal Cover    R - Rubber Cover Omit = no cover					

Glenair Mighty Mouse Series 804 USB 2.0 flash drive featuring a push/pull 804 series ruggedized interface and available in 8GB, 16GB, 32GB, or 64GB storage capacities. Optional metal or rubber covers available. Flash drive complies with USB 2.0 standard and is backwards compatible.



## WIRING DIAGRAM



## NOTES:

### USB flash memory specifications

- Storage capacity: 8GB,16GB,32GB,64 GB (see p/n development)
- System requirements: Windows 2000, XP, Vista, Windows 7
- Compatibility: plug & play, USB 2.0 compliance
- Data transfer rates: up to 25 MB/Sec read, 10 MB/Sec write depending on

### host hardware, software & usage

- Password protection and AES encryption (only supported by Windows XP & Vista)
- Materials and finishes
- Connector - various see 804-001 804-003 connector drawings
- Mold body - Thermoplastic

- Lanyard - nylon rope\*
- \*Optional equipment (see P/N development)

### Environmental parameters

- Operating temperature: -40°C to 85°C
- Storage temperature: -40°C to 85°C
- Humidity operating range: 10% to 70%

Dimensions in Inches (millimeters) are subject to change without notice.