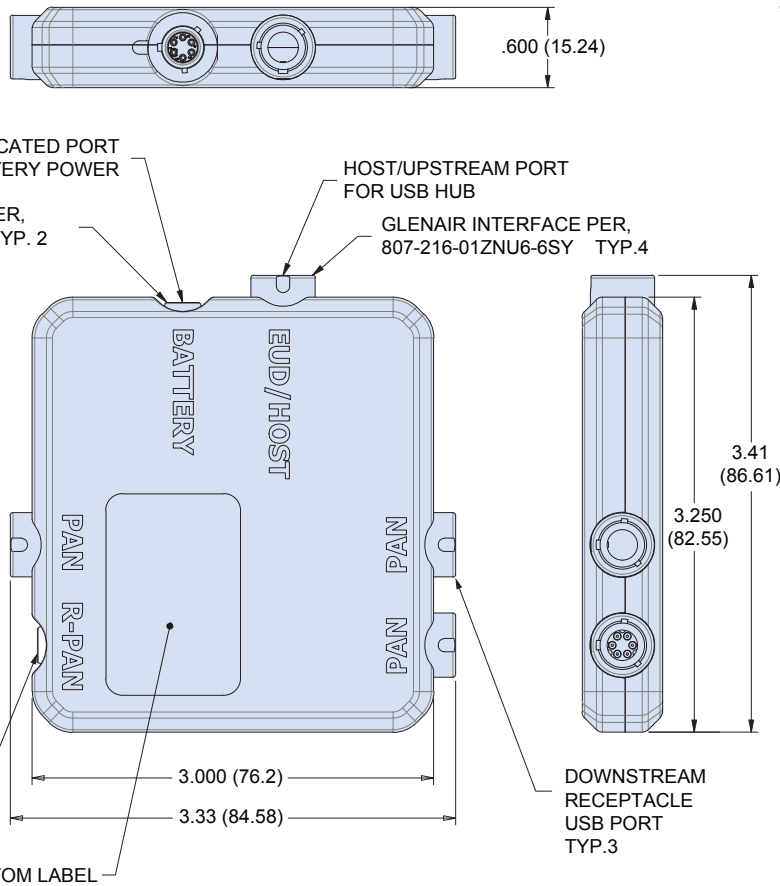


**808-086 USB Cordset Hub**



The Mighty Mouse USB Cordset Hub regulates 5V USB power from a 16V source while providing power management. Features a dedicated battery port, 3 downstream USB receptacle ports, 1 downstream USB plug port and 1 host/upstream receptacle.



**NOTES:**

- Marking: IUID per MIL-STD-130. Red epoxy infill for master key and embossed text
- 100% system tested for functionality.
- Unit pack: 1 each in electrostatic bag, heat-sealed. Includes dust cap.

Dimensions in Inches (millimeters) are subject to change without notice.