



Series 824 Locking Push-Pull Mighty Mouse Mighty Mouse Receptacles 824-003 How to Order



Series 824 Locking Push/Pull Receptacle Connector mates and locks with the 824-001 plug. Available as in-line, jam nut rear panel mount and front panel mount.

How To Order

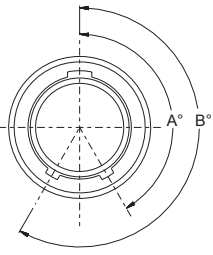
Sample Part Number	824-003	-01	M	6-7	P	A
Series (See Table I)	824-003 = Locking Push-Pull Receptacle with band platform					
Shell Style	-01 = In-Line -07 = Rear Panel Mount Jam Nut -00 = Front Panel Mount Jam Nut					
Shell Material and Finish	ME = Aluminum / Electroless Nickel; RoHS Compliant MT = Aluminum / Nickel-PTFE RoHS Compliant C = Aluminum / Electroless Nickel NF = Aluminum / Cadmium with Olive Drab Chromate ZN = Aluminum / Zinc-Nickel with Olive Drab over Electroless Nickel ZNU = Aluminum / Zinc-Nickel with Black over Electroless Nickel					
Shell Size - Insert Arrangement	See page G-3					
Contact Type	Connector supplied with Crimp contacts P = Pin S = Socket	Connector supplied without contacts A = Pin Connector, less contacts B = Socket Connector, less contacts	Connector Supplied with 30 AWG Crimp Barrel G = Pin H = Socket			
Shell Key Positions (See Table III)	A = Normal B = Pos. B C = Pos. C D = Pos. D E = Pos. E F = Pos. F					

Dimensions

Shell Size	Ø A		Ø B		Ø C		Ø D		E Thread	F Thread	G Flat		H Flat	
	in	mm	in	mm	in	mm	in	mm			in	mm	in	mm
5	0.548	13.92	0.868	22.05	0.868	22.05	0.316	8.03	9/16-28 UN	1/2-28 UNEF	0.534	13.56	0.470	11.94
6	0.600	15.24	0.868	22.05	0.868	22.05	0.390	9.91	9/16-28 UN	9/16-28 UN	0.534	13.56	0.530	13.46
7	0.696	17.68	1.039	26.39	1.039	26.39	0.473	12.01	11/16-28 UN	11/16-28 UN	0.655	16.64	0.663	16.84
8	0.760	19.30	1.097	27.86	1.039	26.39	0.560	14.22	3/4-28 UN	11/16-28 UN	0.721	18.31	0.663	16.84
9	0.822	20.88	1.116	28.35	1.097	27.86	0.586	14.88	13/16-28 UN	3/4-28 UN	0.788	20.02	0.720	18.29
10	0.893	22.68	1.231	31.27	1.160	29.46	0.688	17.48	7/8-28 UN	13/16-28 UN	0.846	21.49	0.788	20.02
12	0.974	24.74	1.359	34.52	1.347	34.21	0.805	20.45	1-28 UN	1-28 UN	0.968	24.59	0.970	24.64

Table I: Alternate Key Positions

Pos.	Size 5 - 8		Size 9 - 12	
	A°	B°	A°	B°
A	150°	210°	140°	220°
B	45°	210°	30°	220°
C	45°	230°	30°	250°
D	140°	315°	110°	330°
E	150°	315°	140°	330°



Panel Cutout Dimensions

Shell Size	I Flat		Ø J		K Flat		Ø L	
	in	mm	in	mm	in	mm	in	mm
5	0.544	13.82	0.575	14.61	0.480	12.19	0.510	12.95
6	0.544	13.82	0.575	14.61	0.540	13.72	0.575	14.61
7	0.665	16.89	0.698	17.73	0.673	17.09	0.698	17.73
8	0.731	18.57	0.760	19.30	0.673	17.09	0.698	17.73
9	0.798	20.27	0.820	20.83	0.730	18.54	0.760	19.30
10	0.856	21.74	0.885	22.48	0.798	20.27	0.820	20.83
12	0.978	24.84	1.010	25.65	0.980	24.89	1.010	25.65

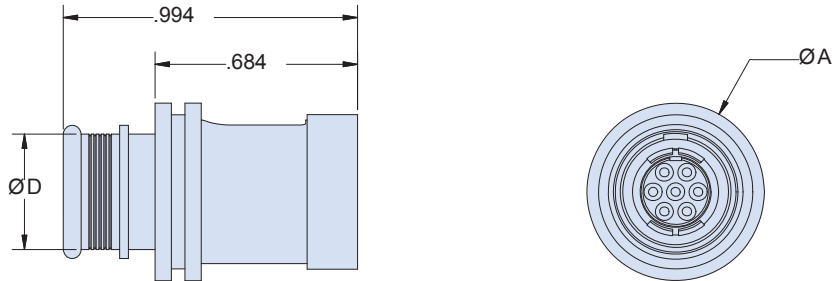
Dimensions in Inches (millimeters) are subject to change without notice.

Series 824 Locking Push-Pull Mighty Mouse
Mighty Mouse Receptacles
824-003 Dimensions

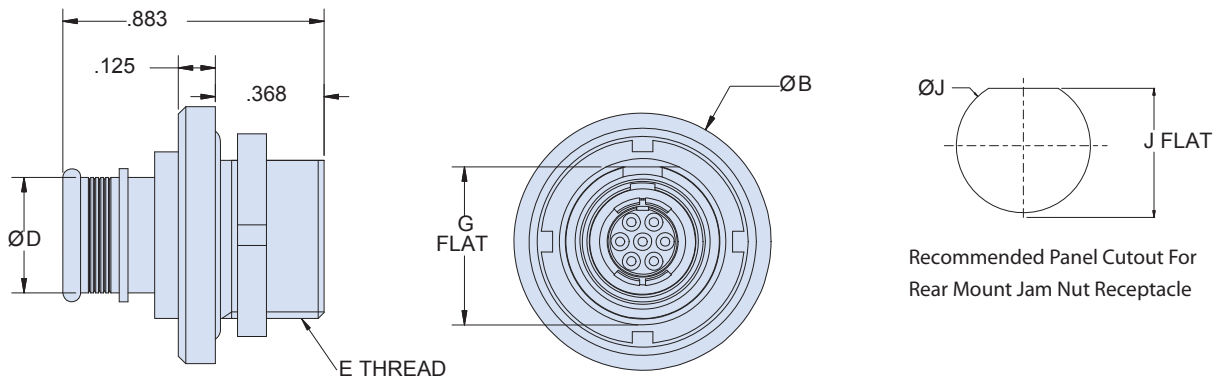


Series 824

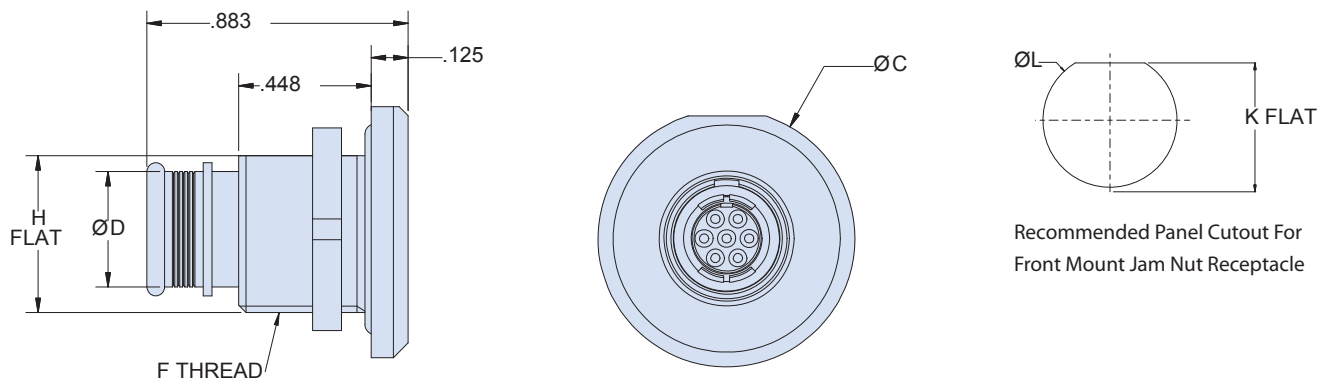
In-line cable receptacle - shell style 01



Jam nut, rear panel mount receptacle - shell style 07



Jam nut, front panel mount receptacle - shell style 00



Dimensions in Inches (millimeters) are subject to change without notice.

