



# Series 824 Locking Push-Pull Mighty Mouse Locking Push/Pull with Hi-Speed 10G Contacts Ordering Information



### Quick Disconnect

These plugs snap securely into receptacle housings and release with a simple pull.

### Two Keying Styles

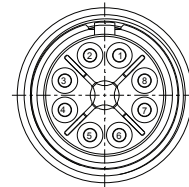
A single master key provides fast mating in low-light situations, or specify three keys for more polarizing options.

How To Order						
Sample Part Number	824-010	-01	MT	P	A	-1
Series (See Table I)	824-009 = Plug with Shrink Boot Groove 824-010 = Receptacle with Boot Groove					
Shell Style	-06 = Plug    -01 = In-Line Receptacle    -00 = Front Panel Jam Nut Mount -07 = Rear Panel Mount, Jam Nut Receptacle					
Shell Material and Finish	ME = Aluminum Alloy / Electroless Nickel MT = Aluminum Alloy / Nickel-PTFE, RoHS Compliant ZN = Aluminum Alloy / O.D. Zinc-Nickel over Electroless Nickel ZNU = Aluminum Alloy / Black Zinc Nickel over Electroless Nickel					
Module Type	P = Pin    S = Socket					
Alternative Polarization	A, B, C, D, E					
Cable Size	See Cable Size Table					

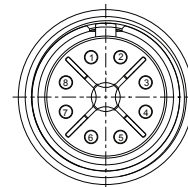
Alternate Positions		
Plug (Key)	Receptacle (Keyway)	
Pos.	A°	B°
A	140	220
B	30	220
C	30	250
D	110	330
E	140	330

Table I: Series	
<b>824-009-06</b> Plug with Banding Platform	<b>824-010-00</b> FPM Jam Nut, Receptacle with Banding Platform
<b>824-010-01</b> In-Line Receptacle with Banding Platform	<b>824-010-07</b> RPM Jam Nut Receptacle with Banding Platform

**Figure 1: Contact Module, Inner Orientation**



SOCKET MODULE FACE  
**858-100**



PIN MODULE FACE  
**858-101**

Dimensions in Inches (millimeters) are subject to change without notice.

# Series 824 Locking Push-Pull Mighty Mouse

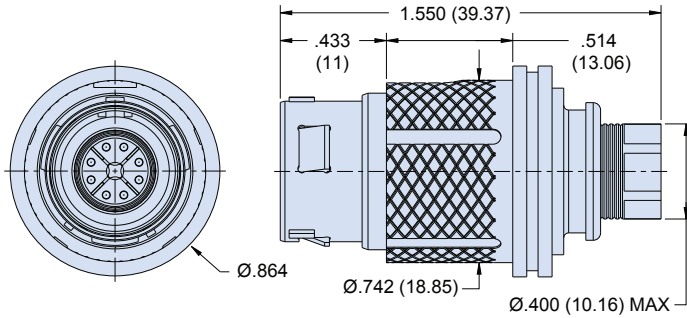
## Locking Push/Pull with Hi-Speed 10G Contacts

### Dimensions

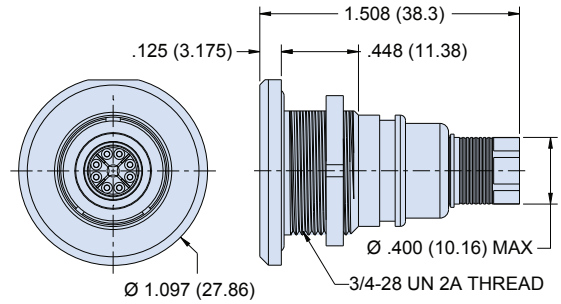


Series 824

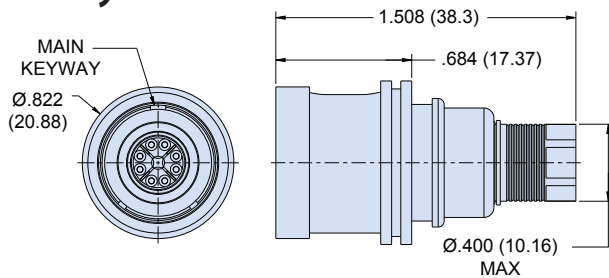
#### Plug shell style -06



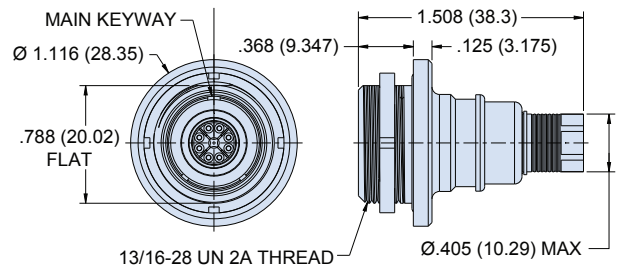
#### Front panel mount, jam nut receptacle shell style 00



#### In-line receptacle shell style 01



#### Jam nut, rear panel mount receptacle shell style 07



Cable Size Options (See note 1)	
Cable Size	Cable Diameter
1	.280 (7.11)
2	.2740 (6.96)
3	.260 (6.60)
4	.250 (6.35)
5	.240 (6.10)
6	.230 (5.84)
7	.220 (5.59)

Cable*					
Cable P/N	Cable Category	Cable Construction	Wire Gage	Max Wire Insulation Dia.	Assembly Instructions
963-003-24	CAT 6A	SF/UTP	24	.050	AI85082
963-003-26	CAT 6A	SF/UTP	26	.050	
963-037	CAT 6A	SF/UTP	24	.050	
963-038	CAT 6A	SF/UTP	24	.050	

Contact factory to inquire about use with other cables

#### NOTES

- Material / finish:
  - Shell: see how to order table
  - Latch sleeve: BeCu Alloy/electroless nickel
  - O-rings: fluorosilicone / N.A.
  - Shrink boot: LSZH / N.A.
- Spare high speed modules (858-100 and 858-101) may be ordered separately. Module wrench tool (607-011) supplied with each connector
- See assembly instruction AI85082 for high speed module terminations. See assembly instructions AI85087 for module installation
- See Figure 1 for inner contact pinout
- This plug mates with 824-009 of the same key polarization using a speedmaster module of the opposite gender.
- See cable size table for available cable size options. See cable table. For cable in-between sizes select smaller size. Maximum cable diameter is .280

Dimensions in Inches (millimeters) are subject to change without notice.