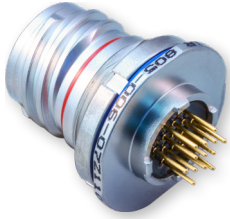




Series 805 Mighty Mouse Triple-Start ACME Thread Hermetic Receptacle with PC Tails or Solder Cup Contacts

805-006 Ordering Information



Series 805 Hermetic Receptacles feature solder cup contacts for direct wire attachment or PC tails for PC board termination. Contacts are gold plated, nickel alloy pin contacts and copper alloy socket contacts. Shell styles include square flange, solder mount, jam-nut and weld mount. Connectors are hermetically sealed and tested to 1×10^{-7} ccHe/sec at 1 atmosphere. Contacts are non-removable, back potted and paralyene compatible. Consult factory for additional arrangements.

How To Order

Sample Part Number	805-006	-02	Z1	8-7	P	A
Series	805-006 = Hermetic Receptacle with Solder Cups					
Shell Style (See Table I)	-02 = Square Flange, Front or Rear Mount Receptacle -03 = Solder Mount Receptacle -07 = Jam-Nut, Rear Panel Mount Receptacle -13 = Weld Mount, Front Panel Mount Receptacle					
Material and Finish	Z1 = Stainless Steel / Passivated ZB = Stainless Steel / Olive Drab Chromate over Cadmium ZC = Stainless Steel / Zinc Cobalt Alloy/Black Chromate ZL = Stainless Steel / Electrodeposited Nickel					
Shell Size - Insert Arrangement	See page H-3.					
Contact Type	P = Pin, Solder Cup S = Socket, Solder Cup C = Pin, P.C. Termination D = Socket, P.C. Termination					
Shell Key Positions (See Table II)	A = Normal B = Pos. B C = Pos. C D = Pos. D E = Pos. F F = Pos. F					

Table I: Shell Style

-02 Square Flange	-07 Jam-Nut
-03 Solder Mount	-13 Weld Mount

Table II: Key Positions

	A°	B°
Position	A°	B°
A (Normal)	150°	210°
B	75°	210°
C	95°	230°
D	140°	275°
E	75°	275°
F	95°	210°

NOTES

- This connector mates with all quick coupling high density plug connectors with same polarization and opposite contact gender 805-001, 805-002
- For additional insert arrangements consult factory
- Contacts are non removable and connector is back potted
- Hermeticity: 1×10^{-7} ccHe/second at one atmosphere

Material/Finish:

- Shell, jam-nut: CRES / passivate or plate as required
- Contacts, hermetic: alloy 52 / gold plate
- Contacts, socket: copper alloy / gold plate
- Seals: fluorosilicone / N.A.
- Insulator, hermetic: fused vitreous glass / N.A.
- Insulator, socket: rigid dielectric / N.A.

DWV Rating

Contact Sizes	Test Voltage
23	750 Vac
20 HD	1000 Vac
16, 12, 8	1800 Vac

Dimensions in Inches (millimeters) are subject to change without notice.

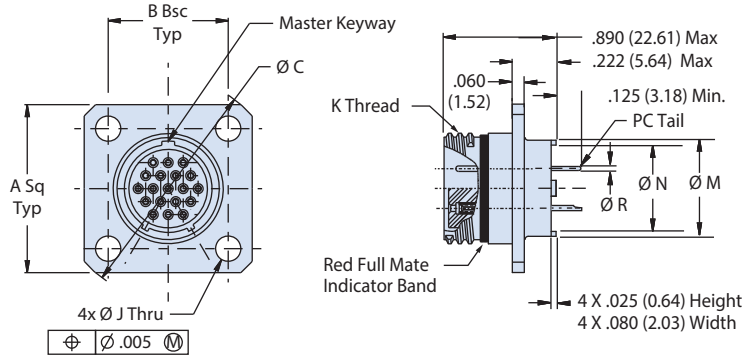
Series 805 Mighty Mouse Triple-Start ACME Thread Hermetic Receptacle with PC Tails or Solder Cup Contacts 805-006 Dimensions



Series 805

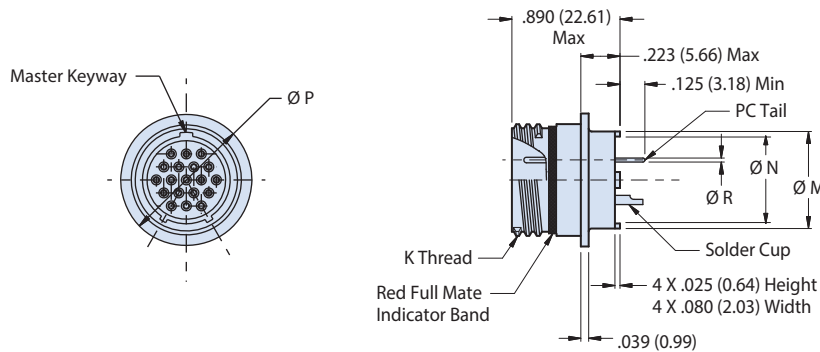
Square flange receptacle - shell style 02

PC Tails	
Contact Size	Ø R ±.002 (.05)
#23	.020 (0.51)
#20	.026 (0.66)
#16	.062 (1.57)
#12	.094 (2.39)



Solder mount receptacle - shell style 03

PC Tails	
Contact Size	Ø R ±.002 (.05)
#23	.020 (0.51)
#20	.026 (0.66)
#16	.062 (1.57)
#12	.094 (2.39)



Dimensions								
Shell Size	A Sq	B Bsc	Ø C	J Holes	K Thread	Ø M	Ø N Min	Ø P
8	.850 (21.59)	.660 (16.76)	1.150 (29.21)	.096 (2.44) .091 (2.31)	.5000-.1P-.3L-TS	.330 (8.38)	.230 (5.84)	.625 (15.88)
9	.913 (23.19)	.723 (18.36)	1.230 (31.24)		.5625-.1P-.3L-TS	.432 (10.97)	.322 (8.18)	.688 (17.48)
10	.975 (24.76)	.785 (19.94)	1.330 (33.78)		.6250-.1P-.3L-TS	.493 (12.52)	.386 (9.80)	.750 (19.05)
11	1.039 (26.39)	.848 (21.54)	1.410 (35.81)		.6875-.1P-.3L-TS	.553 (14.05)	.442 (11.23)	.812 (20.62)
12	1.099 (27.91)	.909 (23.09)	1.500 (38.10)		.7500-.1P-.3L-TS	.620 (15.75)	.513 (13.03)	.875 (22.23)
13	1.163 (29.54)	.973 (24.71)	1.590 (40.39)	.130 (3.30) .126 (3.20)	.8125-.1P-.3L-TS	.661 (16.79)	.554 (14.07)	.938 (23.83)
15	1.288 (32.72)	1.058 (26.87)	1.750 (44.45)		.9375-.1P-.3L-TS	.703 (17.86)	.594 (15.09)	1.062 (26.97)
18	1.475 (37.47)	1.255 (31.88)	2.000 (50.80)		1.1250-.1P-.3L-TS	.863 (21.92)	.750 (19.05)	1.250 (31.75)
19	1.537 (39.04)	1.327 (33.71)	2.094 (53.19)		1.1875-.1P-.3L-TS	.912 (23.16)	.805 (20.45)	1.312 (33.32)
21	1.663 (42.24)	1.452 (36.88)	2.270 (57.66)		1.3125-.1P-.3L-TS	1.017 (25.83)	.910 (23.11)	1.438 (36.53)
23	1.787 (45.39)	1.576 (40.03)	2.440 (61.98)		1.4375-.1P-.3L-TS	1.162 (29.51)	1.050 (26.67)	1.562 (39.67)

Dimensions in Inches (millimeters) are subject to change without notice.

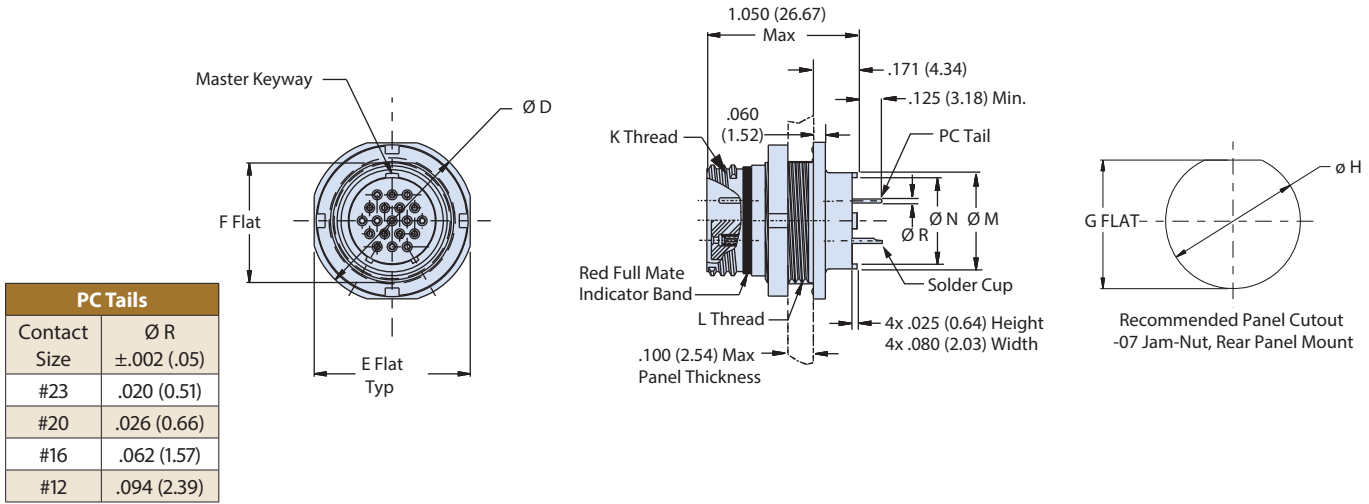
H



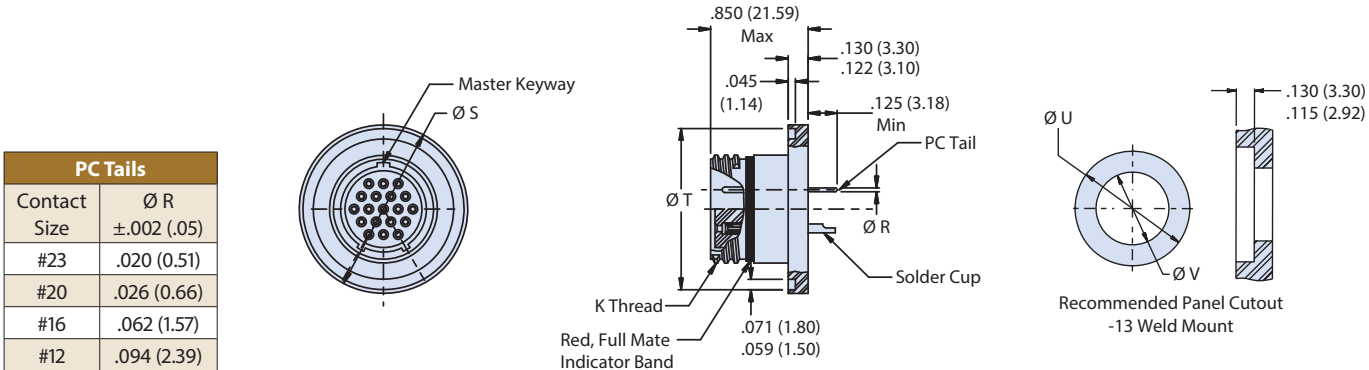
Series 805 Mighty Mouse Triple-Start ACME Thread Hermetic Receptacle with PC Tails or Solder Cup Contacts

805-006 Dimensions

Jam-nut mount receptacle - shell style 07



Weld mount receptacle - shell style 13



Shell Size	Dimensions								Jam-Nut Cutout		Weld Mount Cutout	
	Ø D	E Flat	F Flat	K Thread -.1P-.3L-TS	L Thread -28 UN-2A	Ø M	Ø N Min	Ø S ±.002	G Flat ±.002(.05)	Ø H +.005 (+.13) -.000 (-.00)	Ø U ±.003 (0.08)	Ø V Min
	8	.760 (19.30)	.730 (18.54)	.535 (13.59)	.5000	.5625	.330 (8.38)	.230 (5.84)	.788 (20.02)	.543 (13.79)	.567 (14.40)	0.794 (20.17)
9	.880 (22.35)	.850 (21.59)	.661 (16.79)	.5625	.6875	.432 (10.97)	.322 (8.18)	.912 (23.16)	.669 (16.99)	.693 (17.60)	0.918 (23.32)	.455 (11.56)
10	.880 (22.35)	.850 (21.59)	.661 (16.79)	.6250	.6875	.493 (12.52)	.386 (9.80)	.975 (24.76)	.669 (16.99)	.693 (17.60)	0.981 (24.92)	.520 (13.21)
11	.955 (24.26)	.925 (23.50)	.721 (18.31)	.6875	.7500	.553 (14.05)	.442 (11.23)	1.038 (26.37)	.729 (18.52)	.755 (19.18)	1.044 (26.52)	.575 (14.60)
12	1.060 (26.92)	1.035 (26.29)	.784 (19.91)	.7500	.8125	.620 (15.75)	.513 (13.03)	1.100 (27.94)	.792 (20.12)	.817 (20.75)	1.106 (28.09)	.650 (16.51)
13	1.120 (28.45)	1.090 (27.69)	.843 (21.41)	.8125	.8750	.661 (16.79)	.554 (14.07)	1.162 (29.51)	.849 (21.56)	.881 (22.38)	1.168 (29.67)	.685 (17.40)
15	1.203 (30.56)	1.173 (29.79)	.970 (24.64)	.9375	1.0000	.703 (17.86)	.594 (15.09)	1.288 (32.72)	.978 (24.84)	1.005 (25.53)	1.294 (32.87)	.730 (18.54)
18	1.389 (35.28)	1.359 (34.52)	1.147 (29.13)	1.1250	1.1875	.863 (21.92)	.750 (19.05)	1.475 (37.47)	1.155 (29.34)	1.193 (30.30)	1.481 (37.62)	.890 (22.61)
19	1.450 (36.83)	1.420 (36.07)	1.221 (31.01)	1.1875	1.2500	.912 (23.16)	.805 (20.45)	1.540 (39.12)	1.229 (31.22)	1.255 (31.88)	1.546 (39.27)	.940 (23.88)
21	1.58 (40.13)	1.550 (39.37)	1.35 (34.29)	1.3125	1.3750	1.017 (25.83)	.910 (23.11)	1.665 (42.29)	1.356 (34.44)	1.383 (35.13) 1.381 (35.08)	1.671 (42.44)	1.040 (26.42)
23	1.705 (43.31)	1.675 (42.55)	1.470 (37.34)	1.4375-	1.5000	1.162 (29.51)	1.050 (26.67)	1.795 (45.59)	1.478 (37.54)	1.505 (38.23)	1.801 (45.75)	1.190 (3.23)

Dimensions in Inches (millimeters) are subject to change without notice.