

# Series 805 Mighty Mouse Triple-Start ACME Thread Sav-Con® Saver

## 805-010 Ordering Information



Series 805



**Glenair Sav-Con® Connector Savers** are designed to protect connectors that are subject to repeated mating and unmating cycles. Sav-Con® Connector Savers prevent costly repair or replacement of expensive connectors while preserving the quality and integrity of the connector by absorbing connect and disconnect abuse.

**Protect Equipment,** equipment connectors that are mated frequently during manufacturing, test, check-out phases and environmental test programs can be protected by Glenair Sav-Con® Connector Savers.

**Prolong the Service Life of Test Cables** Glenair Sav-Con® Connector Savers mated to test-cable connectors take the punishment of repetitive matings and unmatings.

| How To Order                     |   |    |     |   |   |
|----------------------------------|---|----|-----|---|---|
| Sample Part Number               | 805-010   | Z1 | 8-7 | P | A |
| Series                           | 805-010 = Series 805 Connector Saver  |    |     |   |   |
| Shell Material and Finish        | <b>C</b> = Aluminum / Black Anodize (Non-Conductive); RoHS Compliant<br><b>M</b> = Aluminum / Electroless Nickel; RoHS Compliant<br><b>MT</b> = Aluminum / Nickel-PTFE RoHS Compliant<br><b>NF</b> = Aluminum / Cadmium with Olive Drab Chromate<br><b>ZNU</b> = Aluminum / Zinc-Nickel with Black Chromate<br><b>Z1</b> = Stainless Steel / Passivated; RoHS Compliant |    |     |   |   |
| Shell Size - Insert Arrangement  | See Contact Arrangements Page H-2   |    |     |   |   |
| Contact Type * (Jam-Nut Side)    | <b>P</b> = Pin on Plug Side, Socket Contact on Receptacle Side <b>PP</b> = Pin on Both Sides<br><b>S</b> = Socket Contact on Plug Side, Pin Contact on Receptacle Side <b>SS</b> = Socket on Both Sides   |    |     |   |   |
| Shell Key Position (See Table I) | <b>A</b> = Normal <b>B</b> = Pos. B <b>C</b> = Pos. C <b>D</b> = Pos. D <b>E</b> = Pos. E <b>F</b> = Pos. F   |    |     |   |   |

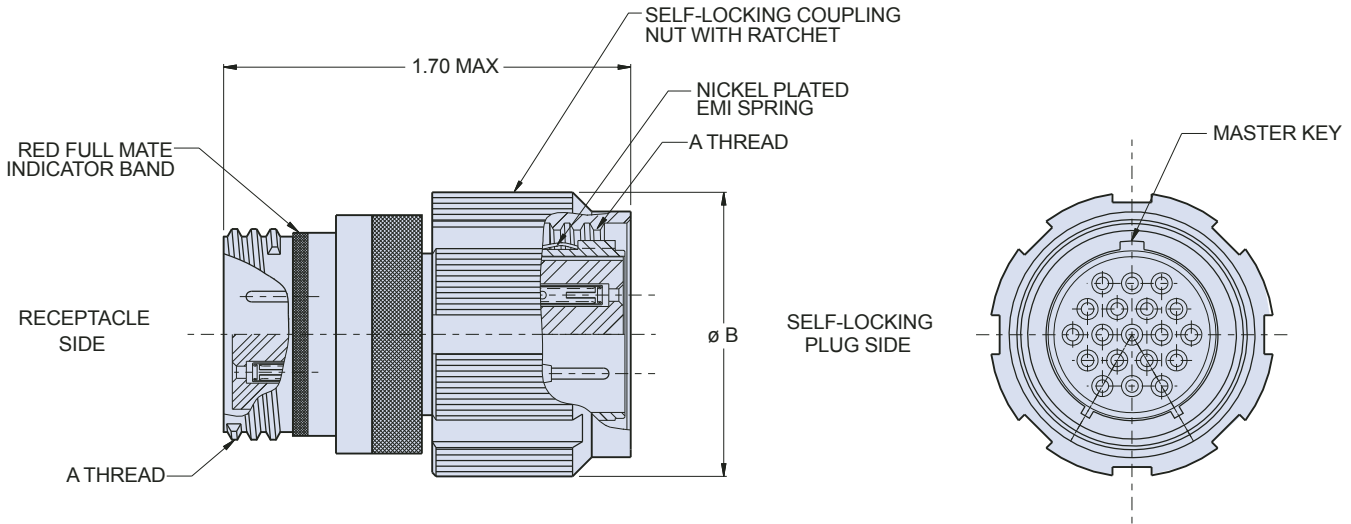
| Key Position      | Key Rotation |      |
|-------------------|--------------|------|
|                   | A            | B    |
| <b>A</b> (Normal) | 150°         | 210° |
| <b>B</b>          | 75°          | 210° |
| <b>C</b>          | 95°          | 230° |
| <b>D</b>          | 140°         | 275° |
| <b>E</b>          | 75°          | 275° |
| <b>F</b>          | 95°          | 210° |

### NOTES

1. Current Rating: #23 5 A, #16 13 A, #12 23 A
2. Dielectric Withstanding Voltage:  
#23 750 VAC, #20HD 1000 VAC, #12 and #16 1800 VAC
3. Insulation Resistance: 5000 megohms minimum
4. Operating Temperature: -65° C. to +175° C.
5. Shock: 300 g.
6. Vibration: 37 g.
7. Shielding Effectiveness: 65 dB minimum from 1GHz to 10GHz.
8. Magnetic Permeability: 2.0 μ maximum
9. Durability: 500 mating cycles

Dimensions in Inches (millimeters) are subject to change without notice.

### Sav-Con® Connector Saver



| Dimensions |                  |               |
|------------|------------------|---------------|
| Shell Size | A Threads        | Ø B           |
| 8          | .5000-1P-.3L-TS  | .692 (17.58)  |
| 9          | .5625-1P-.3L-TS  | .789 (20.04)  |
| 10         | .6250-1P-.3L-TS  | .827 (21.01)  |
| 11         | .6875-1P-.3L-TS  | .918 (23.32)  |
| 12         | .7500-1P-.3L-TS  | .984 (24.99)  |
| 13         | .8125-1P-.3L-TS  | 1.047 (26.59) |
| 15         | .9375-1P-.3L-TS  | 1.098 (27.89) |
| 18         | 1.1250-1P-.3L-TS | 1.287 (32.69) |
| 19         | 1.1875-1P-.3L-TS | 1.311 (33.30) |
| 21         | 1.3125-1P-.3L-TS | 1.448 (36.78) |
| 23         | 1.4375-1P-.3L-TS | 1.562 (39.67) |

#### Materials and Finishes

- Shell: Aluminum alloy or stainless steel
- Contacts: Copper alloy, 50 µinch gold plated
- Insulators: High-grade rigid dielectric
- Seal: Fluorosilicone rubber
- Ground Spring: Nickel-plated beryllium copper