

Series 805 Mighty Mouse Triple-Start ACME Thread Hermetic Receptacle with Band Platform and Solder Cups

805-019 Ordering Information



Series 805



PCB Hermetic Receptacle Connectors feature integral banding porch for use with Band-Master® stainless steel band (sold separately) and solder cup contacts for direct to wire attachment. Available square flange–front or rear panel mount, solder mount, jam-nut and weld mount shell styles. Connectors are hermetically sealed and tested for leak rate less than 1×10^{-7} ccHe/sec at atmosphere. Contacts are non-removable, back potted and paralyene compatible. Consult factory for additional arrangements.

How To Order	
Sample Part Number	805-019 -02 Z1 8-7 P A
Series	805-019 = Hermetic Receptacle with Solder Cups and Integral Banding Porch
Shell Style (See Table I)	-02 = Square Flange, Front or Rear Mount Receptacle -03 = Solder Mount Receptacle -07 = Jam-Nut, Rear Panel Mount Receptacle
Material and Finish	Z1 = Stainless Steel / Passivated ZB = Stainless Steel / Olive Drab Chromate over Cadmium ZC = Stainless Steel / Zinc Cobalt Alloy/Black Chromate ZL = Stainless Steel / Electrodeposited Nickel ZN = Stainless Steel / Zinc Nickel/Olive Drab over Electroless Nickel ZU = Stainless Steel / Cadmium Black
Shell Size - Insert Arrangement	See page H-3. See section B for PCB footprints
Contact Type	P = Pin, Solder Cup S = Socket, Solder Cup
Shell Key Positions (See Table II)	A = Normal B = Pos. B C = Pos. C D = Pos. D E = Pos. F F = Pos. F

Table I: Shell Style		
-02 Square Flange	-07 Jam-Nut	-03 Solder Mount

Table II: Key Positions		
Position	A	B
A (Normal)	150°	210°
B	75°	210°
C	95°	230°
D	140°	275°
E	75°	275°
F	95°	210°

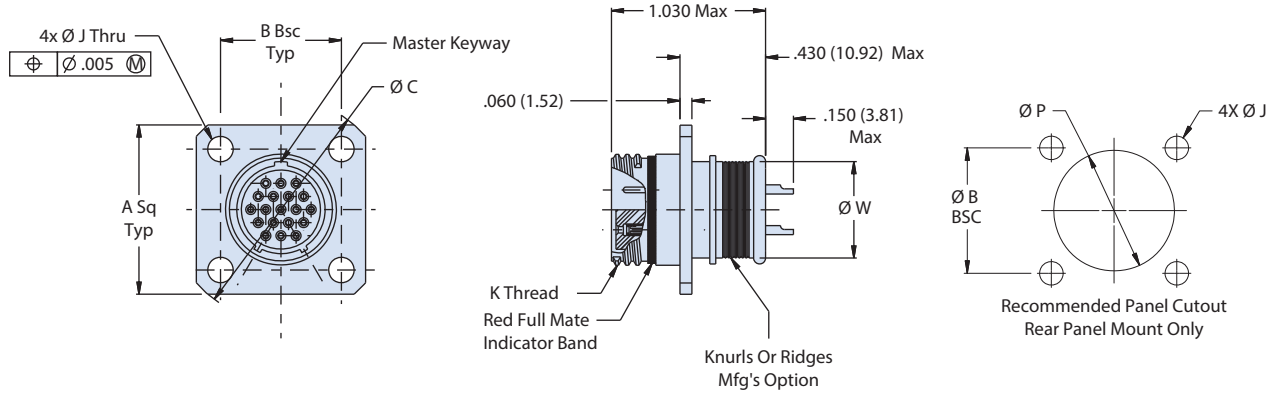
NOTES

- This connector mates with all quick coupling high density plug connectors with same polarization and opposite contact gender 805-001, 805-002
- For additional insert arrangements consult factory
- Contacts are non removable and connector is back potted
- Hermeticity is less than 1×10^{-7} ccHe/second at one atmosphere

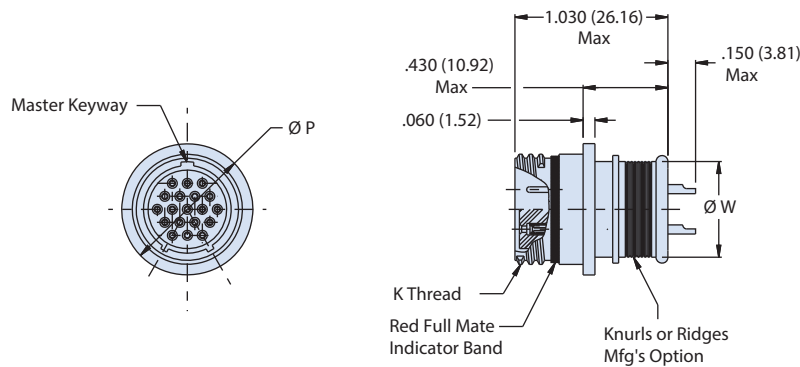
DWV Rating	
Contact Sizes	Test Voltage
23	750 Vac
20 HD	1000 Vac
16, 12, 8	1800 Vac

Dimensions in Inches (millimeters) are subject to change without notice.

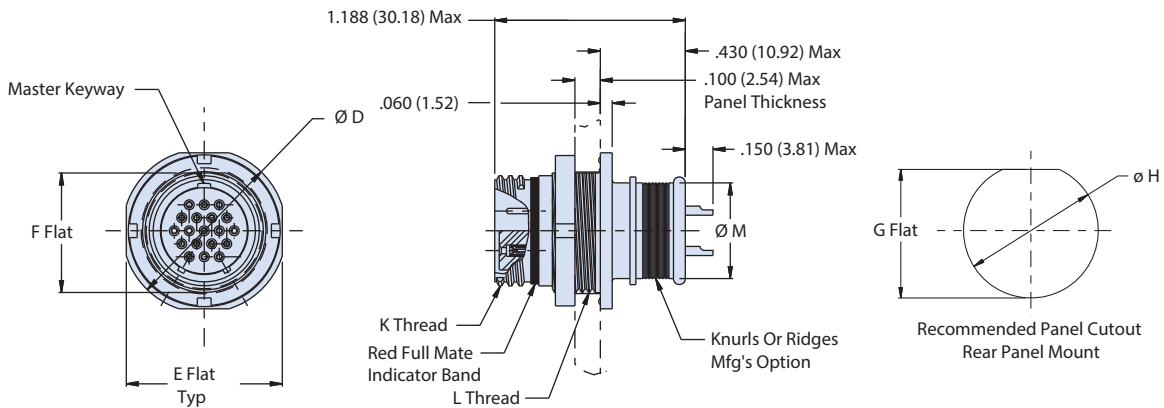
Square flange receptacle - shell style 02



Solder mount receptacle - shell style 03



Jam-nut mount receptacle - shell style 07



Dimensions in Inches (millimeters) are subject to change without notice.

Series 805 Mighty Mouse Triple-Start ACME Thread Hermetic Receptacle with Band Platform and Solder Cups

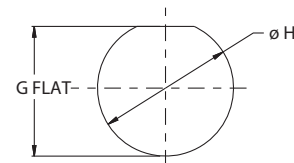
805-019 Dimensions



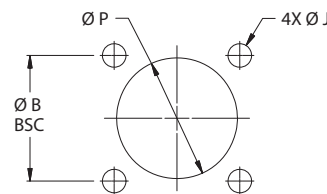
Series 805

Shell Size	A Sq	B Bsc	Ø C	Ø D	E Flat	F Flat	J Holes	K Thread	Ø P	Ø W
8	.850 (21.59)	.660 (16.76)	1.150 (29.21)	.760 (19.30)	.730 (18.54)	.535 (13.59)	.096 (2.44) .091 (2.31)	.5000-.1P-.3L-TS	.625 (15.88)	.316 (8.03)
9	.913 (23.19)	.723 (18.36)	1.230 (31.24)	.880 (22.35)	.850 (21.59)	.661 (16.79)		.5625-.1P-.3L-TS	.688 (17.48)	.397 (10.08)
10	.975 (24.76)	.785 (19.94)	1.330 (33.78)	.880 (22.35)	.850 (21.59)	.661 (16.79)		.6250-.1P-.3L-TS	.750 (19.05)	.472 (11.99)
11	1.039 (26.39)	.848 (21.54)	1.410 (35.81)	.955 (24.26)	.925 (23.50)	.721 (18.31)		.6875-.1P-.3L-TS	.812 (20.62)	.519 (13.18)
12	1.099 (27.91)	.909 (23.09)	1.500 (38.10)	1.060 (26.92)	1.035 (26.29)	.784 (19.91)		.7500-.1P-.3L-TS	.875 (22.23)	.585 (14.86)
15	1.288 (32.72)	1.058 (26.87)	1.750 (44.45)	1.203 (30.56)	1.173 (29.79)	.970 (24.64)	.130 (3.30) .126 (3.20)	.9375-.1P-.3L-TS	1.062 (26.97)	.687 (17.45)
18	1.475 (37.47)	1.255 (31.88)	2.000 (50.80)	1.389 (35.28)	1.359 (34.52)	1.147 (29.13)		1.1250-.1P-.3L-TS	1.250 (31.75)	.884 (22.45)
19	1.537 (39.04)	1.327 (33.71)	2.094 (53.19)	1.450 (36.83)	1.420 (36.07)	1.221 (31.01)		1.1875-.1P-.3L-TS	1.312 (33.32)	.884 (22.45)
21	1.663 (42.24)	1.452 (36.88)	2.270 (57.66)	1.58 (40.13)	1.550 (39.37)	1.35 (34.29)		1.3125-.1P-.3L-TS	1.438 (36.53)	1.003 (25.48)
23	1.787 (45.39)	1.576 (40.03)	2.440 (61.98)	1.705 (43.31)	1.675 (42.55)	1.470 (37.34)		1.4375-.1P-.3L-TS	1.562 (39.67)	1.134 (28.80)

Shell Size	Jam-Nut, Rear Panel Mount		Square Flange, Rear Panel Mount		
	G Flat	Ø H	H BSC	J Holes	Ø P
8	.545 (13.84) .541 (13.74)	.572 (14.53) .567 (14.40)	.660 (16.76)	.096 (2.43) .091 (2.31)	.515 (13.08)
9	.671 (17.04) .667 (16.94)	.698 (17.73) .693 (17.60)	.723 (18.36)		.578 (14.68)
10	.671 (17.04) .667 (16.94)	.698 (17.73) .693 (17.60)	.785 (19.94)		.640 (16.26)
11	.731 (18.57) .727 (18.47)	.760 (19.30) .755 (19.18)	.848 (21.54)		.703 (17.86)
12	.794 (20.17) .790 (20.07)	.822 (20.88) .817 (20.75)	.909 (23.09)		.765 (19.43)
13	.851 (21.62) .847 (21.51)	.885 (22.48) .881 (22.38)	.973 (24.71)	.130 (.13) .126 (3.20)	.828 (21.03)
15	.980 (24.89) .976 (24.79)	1.010 (25.65) 1.005 (25.53)	1.058 (26.87)		.953 (24.21)
18	1.157 (29.39) 1.153 (29.29)	1.198 (30.43) 1.193 (30.30)	1.255 (31.88)		1.140 (28.96)
19	1.231 (31.27) 1.227 (31.17)	1.260 (32.00) 1.255 (31.88)	1.327 (33.71)		1.203 (30.56)
21	1.358 (34.49) 1.354 (34.39)	1.383 (35.13) 1.381 (35.08)	1.452 (36.88)		1.328 (33.73)
23	1.480 (37.59) 1.476 (37.49)	1.510 (38.35) 1.505 (38.23)	1.570 (39.88)		1.453 (36.91)



Recommended Panel Cutout
-07 Jam-Nut, Rear Panel Mount



Recommended Panel Cutout
-02 Square Flange, Rear Panel Mount Only

Material/Finish:

- Shell: SST / passivate or plate as required
- Contacts, hermetic: alloy 52 / gold plate
- Contacts, socket: copper alloy / gold plate
- Seals: fluorosilicone / N.A.
- Insulator, hermetic: fused vitreous glass / N.A.
- Insulator, socket: rigid dielectric / N.A.

Dimensions in Inches (millimeters) are subject to change without notice.

