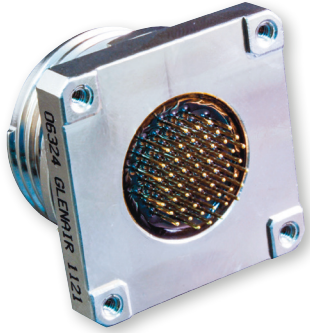




Series 805 Mighty Mouse Triple-Start ACME Thread Jam-Nut, Rear Panel Mount PCB Receptacle

805-067 Ordering Information



Series 805 Jam-Nut, Rear Panel Mount Printed Circuit Board Receptacle features a choice of stainless steel or aluminum alloy shells. Threaded heli-coil (2-56 x .086) allows for direct to board attachment. Available PC tail or solder cup contacts are gold plated copper alloy and non-removable. Integral .025 (0.64) standoff

allows for board washout. Choose PC tails for attachment to flexible or rigid boards. Select solder cups for direct wire attachment. Connector is back potted and paralyene compatible. Mates with all triple start threaded high density series 805 plug connectors with the same polarization and opposite contact gender.

How To Order

Sample Part Number	805-067	-07	M	8-23	P	A
Series	805-067 = PCB Receptacle with Solder Cup or PC tail Contacts					
Shell Style (See Table I)	-07 = Jam-Nut, Rear Panel Mount Receptacle with Non-Locking Heli-Coils -17 = Jam-Nut, Rear Panel Mount Receptacle with Self-Locking Heli-Coils					
Shell Material and Finish	C = Aluminum / Black Anodize (Non-Conductive); RoHS Compliant M = Aluminum / Electroless Nickel; RoHS Compliant MT = Aluminum / Nickel-PTFE RoHS Compliant NF = Aluminum / Cadmium with Olive Drab Chromate ZNU = Aluminum / Zinc-Nickel with Black Chromate Z1 = Stainless Steel / Passivated; RoHS Compliant					
Shell Size - Insert Arrangement	See Contact Arrangements Page H-2					
Contact Type	P = Pin, PC Tail S = Socket, PC Tail		E = Pin, Solder Cup F = Socket, Solder Cup			
Polarization (See Table II)	A = Normal B = Pos. B C = Pos. C D = Pos. D E = Pos. E F = Pos. F					

Table I: Shell Style

-07 Jam-Nut, Rear Panel Mount with Non-Locking Heli-Coils	-17 Jam-Nut, Rear Panel Mount with Self-Locking Heli-Coils

Table II: Keyway Positions

Position	A°	B°
A (Normal)	150°	210°
B	75°	210°
C	95°	230°
D	140°	275°
E	75°	275°
F	95°	210°

NOTES

1. Contacts are nonremovable and connector is back potted
2. Connector receptacle mates with all series 805 triple start thread high density plug connectors with same polarization and opposite contact gender
3. For all #8 arrangements, add .227 (5.77) to overall length

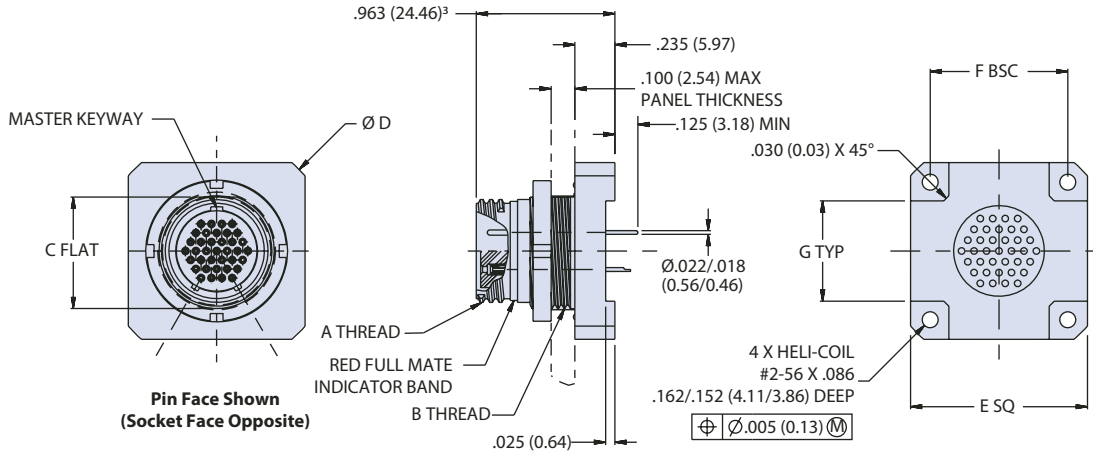
Dimensions in Inches (millimeters) are subject to change without notice.

**Series 805 Mighty Mouse Triple-Start ACME Thread
Square Flange Jam-Nut PCB Receptacle
805-067 Shell Style -07 Dimensions**



Series 805

Jam-nut, rear panel mount receptacle - shell style 07



Dimensions							
Shell Size	A Thread	B Thread	C Flat	Ø D	E SQ	F BSC	G Typ
8	.5000-.1P-.3L-TS	.5625-28 UNEF-2A	.535 (13.59)	.920 (23.37)	.729 (18.52)	.496 (12.60)	.276 (7.01)
9	.5625-.1P-.3L-TS	.6875-28 UN-2A	.661 (16.79)	1.110 (28.19)	.859 (21.82)	.627 (15.93)	.407 (10.34)
10	.6250-.1P-.3L-TS	.6875-28 UN-2A	.661 (16.79)	1.110 (28.19)	.859 (21.82)	.627 (15.93)	.407 (10.34)
11	.6875-.1P-.3L-TS	.7500-28 UN-2A	.721 (18.31)	1.200 (30.48)	.930 (23.62)	.698 (17.73)	.478 (12.14)
12	.7500.1P-.3L-TS	.8125-28 UN-2A	.784 (19.91)	1.370 (34.80)	1.044 (26.52)	.812 (20.62)	.592 (15.04)
13	.8125-.1P-.3L-TS	.8750-28 UN-2A	.843 (21.41)	1.420 (36.07)	1.085 (27.56)	.853 (21.67)	.633 (16.08)
15	.9375.1P-.3L-TS	1.0000-28 UN-2A	.970 (24.64)	1.560 (39.62)	1.175 (29.85)	.943 (23.95)	.723 (18.36)
18	1.1250.1P-.3L-TS	1.1875-28 UN-2A	1.147 (29.13)	1.800 (45.72)	1.351 (34.32)	1.119 (28.42)	.899 (22.83)
19	1.1875-.1P-.3L-TS	1.2500-28 UN-2A	1.221 (31.01)	1.880 (47.75)	1.407 (35.74)	1.175 (29.85)	.955 (24.26)
21	1.3125-.1P-.3L-TS	1.3750-28 UN-2A	1.350 (34.29)	2.090 (53.09)	1.550 (39.37)	1.318 (33.48)	1.098 (27.89)
23	1.4375-.1P-.3L-TS	1.5000-28 UN-2A	1.470 (37.34)	2.270 (57.66)	1.680 (42.67)	1.448 (36.78)	1.228 (31.19)

Jam-Nut Panel Cutout		
Shell Size	H Flat	Ø J
8	.545 (13.84)	.572 (14.53)
	.541 (13.74)	.567 (14.40)
9	.671 (17.04)	.698 (17.73)
	.667 (16.94)	.693 (17.60)
10	.671 (17.04)	.698 (17.73)
	.667 (16.94)	.693 (17.60)
11	.731 (18.57)	.760 (19.30)
	.727 (18.47)	.755 (19.18)
12	.794 (20.17)	.822 (20.88)
	.790 (20.07)	.817 (20.75)
13	.851 (21.62)	.885 (22.48)
	.847 (21.51)	.881 (22.38)
15	.980 (24.89)	1.010 (25.65)
	.976 (24.79)	1.005 (25.53)
18	1.157 (29.39)	1.198 (30.43)
	1.153 (29.29)	1.193 (30.30)
19	1.231 (31.27)	1.260 (32.00)
	1.227 (31.17)	1.255 (31.88)
21	1.358 (34.49)	1.383 (35.13)
	1.354 (34.39)	1.381 (35.08)
23	1.480 (37.59)	1.510 (38.35)
	1.476 (37.49)	1.505 (38.23)

Material and Finish

- Shell, jam-nut: aluminum alloy or SST / see how to order table
- Insulator: LCP / N.A.
- Interfacial seal, O-ring, peripheral seal: fluorosilicone / N.A.
- Contact: copper alloy / gold plate per ASTM B 488, Type II, Code C, Class 1.25, over suitable underplate
- Potting compound: epoxy / N.A.

Dimensions in Inches (millimeters) are subject to change without notice.

