

Series 805 Mighty Mouse Triple-Start ACME Thread Hermetic, Bulkhead Feed-Thru Receptacle

805-127 Ordering Information

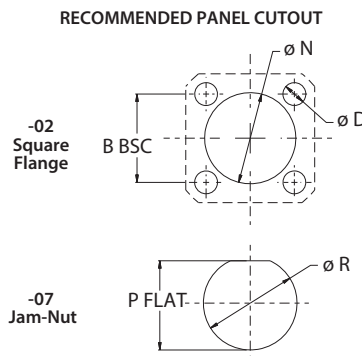


Series 805

Series 805 Hermetic Receptacles provides a separable hermetic connection on both sides of a mounting panel. Available in shell sizes 8 to 23. Mates with all high density triple-start threaded connectors with the same polarization and opposite contact genders (805-001 and 805-002). gold plated nickel-iron alloy contacts and compression glass dielectric material. Hermetically sealed to 1×10^{-7} ccHe/second at 1 atmosphere. Stainless steel connector shell provides excellent corrosion resistance.

How To Order								
Sample Part Number	805-127	-07	Z1	15-37	P	S	A	01
Series	801-127 = Feed-thru							
Shell Style (See Table I)	-02 = Square Flange Mount -07 = Jam -Nut, Rear Panel Mount							
Shell Material and Finish	Z1 = Stainless Steel / Passivated ZL = Stainless Steel / Nickel Plated							
Shell Size - Insert Arrangement	See Contact Arrangements page H-2,							
Contact Type	Panel Side: P = Pin S = Socket Opposite Side: P = Pin S = Socket							
Polarization	A = Pos. A B = Pos. B C = Pos. C D = Pos. D E = Pos. E F = Pos. F							
Panel Accomodation	1, 2, 3; See panel accommodation table							

Panel Cutout Dimensions			
Shell Size	ø N	P FLAT	ø R
8	.520 (13.21)	.547 (13.89)	.575 (14.60)
	.510 (12.95)	.543 (13.79)	.571 (14.50)
9	.583 (14.81)	.673 (17.09)	.700 (17.78)
	.573 (14.55)	.669 (16.99)	.696 (17.68)
10	.645 (16.38)	.673 (17.09)	.700 (17.78)
	.635 (16.13)	.669 (16.99)	.696 (17.68)
11	.710 (18.03)	.733 (18.62)	.762 (19.35)
	.700 (17.78)	.729 (18.52)	.758 (19.25)
12	.770 (19.56)	.796 (20.22)	.825 (20.96)
	.760 (19.30)	.792 (20.12)	.821 (20.85)
13	.835 (21.21)	.853 (21.67)	.887 (22.53)
	.825 (20.96)	.849 (21.56)	.883 (22.43)
15	.960 (24.38)	.982 (24.94)	1.012 (25.70)
	.950 (24.13)	.978 (24.84)	1.008 (25.60)
18	1.145 (29.08)	1.159 (29.44)	1.200 (30.48)
	1.135 (28.83)	1.155 (29.34)	1.196 (30.38)
19	1.210 (30.73)	1.233 (31.32)	1.262 (32.05)
	1.200 (30.48)	1.229 (31.22)	1.258 (31.95)
21	1.335 (33.91)	1.360 (34.54)	1.387 (35.23)
	1.325 (33.65)	1.356 (34.44)	1.383 (35.13)
23	1.460 (37.08)	1.482 (37.64)	1.512 (38.40)
	1.450 (36.83)	1.478 (37.54)	1.508 (38.30)



Keyway Positions		
Position	A°	B°
A	150°	210°
B	75°	210°
C	95°	230°
D	140°	275°
E	75°	275°
F	95°	210°

NOTES

- Material/Finish
 - Shell and jam-nut: CRES/see part number development
 - Contacts, pin: nickel alloy/gold plate
 - Contacts, socket: copper alloy/gold plate
 - Hoods, socket: 300 CRES/passivate
 - Insulator, hermetic: full glass / N.A.
 - Insulator, sockets: rigid dielectric / N.A.
 - Seals and o-rings: fluorosilicone blend / N.A.
- Performance Test Criteria:
 - Hermeticity: 1×10^{-7} cc He/sec @ 1 atmosphere delta
 - D.W.V.: per DWV rating table pin to pin or pin to shell without breakdown
 - I.R.: 5000 megohms @ 500 Vdc min
- For pin-pin or socket-socket feed-thru, power applied to one contact will result in poser to the contact directly opposite, regardless of contact identification
- Feed-thru mates with Glenair 805 style plug connectors with same size, polarization, and opposite contact gender.
- Overall lengths will increase by approximately .50" for #8 contact arrangements
- Standard arrangements with signal/power contacts only. Consult factory for special contacts (Co-Ax, Quadrax, Thermocouples, etc)

DWV Rating	
Contact Sizes	Test Voltage
23	750 Vac
20 HD	1000 Vac
16, 12, 8	1800 Vac

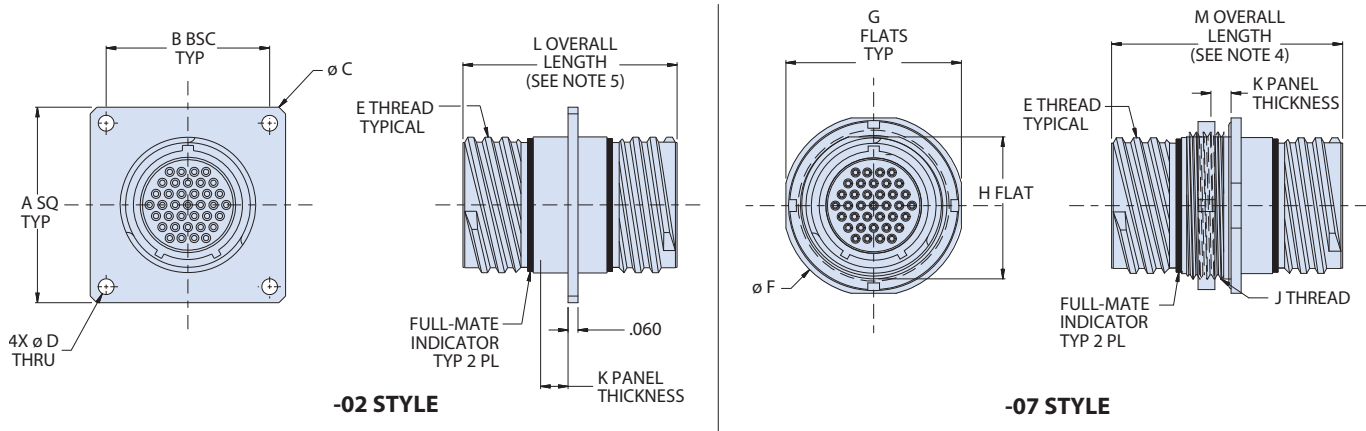
Shell Style	
-07 Jam-Nut, Rear Panel Mount	-02 Square Flange

Dimensions in Inches (millimeters) are subject to change without notice.

Series 805 Mighty Mouse Triple-Start ACME Thread Hermetic, Bulkhead Feed-Thru Receptacle

805-127-07 Dimensions

Jam-nut, rear panel mount - shell style 07



Dimensions

Shell Size	A Sq.	B Bsc	Ø C	Ø D Thru Holes	E Thread	Ø F	G Flat	H Flat	J Thread
8	.850 (21.59)	.660 (16.76)	1.150 (29.21)	.096 (2.44) .091 (2.31)	.5000-1P-.3L-TS	.760 (19.30)	.730 (18.54)	.535 (13.59)	.5625-28 UNEF-2A
9	.913 (23.19)	.723 (18.36)	1.230 (31.24)	.096 (2.44) .091 (2.31)	.5625-1P-.3L-TS	.880 (22.35)	.850 (21.59)	.661 (16.79)	.6875-28 UN-2A
10	.975 (24.76)	.785 (19.94)	1.330 (33.78)	.096 (2.44) .091 (2.31)	.6250-1P-.3L-TS	.880 (22.35)	.850 (21.59)	.661 (16.79)	.6875-28 UN-2A
11	1.039 (26.39)	.848 (21.54)	1.410 (35.81)	.096 (2.44) .091 (2.31)	.6875-1P-.3L-TS	.955 (24.26)	.925 (23.50)	.721 (18.31)	.7500-28 UN-2A
12	1.099 (27.91)	.909 (23.09)	1.500 (38.10)	.096 (2.44) .091 (2.31)	.7500-1P-.3L-TS	1.060 (26.92)	1.035 (26.29)	.784 (19.91)	.8125-28 UN-2A
13	1.163 (29.54)	.973 (24.71)	1.590 (40.39)	.096 (2.44) .091 (2.31)	.8125-1P-.3L-TS	1.120 (28.45)	1.090 (27.69)	.843 (21.41)	.8750-28 UN-2A
15	1.288 (32.72)	1.058 (26.87)	1.750 (44.45)	.130 (3.30) .126 (3.20)	.9375-1P-.3L-TS	1.203 (30.56)	1.173 (29.79)	.970 (24.64)	1.0000-28 UN-2A
18	1.475 (37.47)	1.255 (31.88)	2.000 (50.80)	.130 (3.30) .126 (3.20)	1.1250-1P-.3L-TS	1.389 (35.28)	1.359 (34.52)	1.147 (29.13)	1.1875-28 UN-2A
19	1.537 (39.04)	1.327 (33.71)	2.094 (53.19)	.130 (3.30) .126 (3.20)	1.1875-1P-.3L-TS	1.450 (36.83)	1.420 (36.07)	1.221 (31.01)	1.2500-28 UN-2A
21	1.663 (42.24)	1.452 (36.88)	2.270 (57.66)	.130 (3.30) .126 (3.20)	1.3125-1P-.3L-TS	1.580 (40.13)	1.550 (39.37)	1.350 (34.29)	1.3750-28 UN-2A
23	1.787 (45.39)	1.576 (40.03)	2.440 (61.98)	.130 (3.30) .126 (3.20)	1.4375-1P-.3L-TS	1.705 (43.31)	1.675 (42.55)	1.470 (37.34)	1.5000-28 UN-2A

Panel Accomodation

Sym	K Dim, Panel	L Dim, Oal	M Dim, Oal
-1	.125/.062	1.285 MAX	1.400 MAX
-2	.250/.062	1.410 MAX	1.525 MAX
-3	.500/.062	1.660 MAX	1.775 MAX

Dimensions in Inches (millimeters) are subject to change without notice.