



Series 805 Mighty Mouse Triple-Start ACME Thread Panel Mount Receptacle with #12 Twinax PCB Contacts

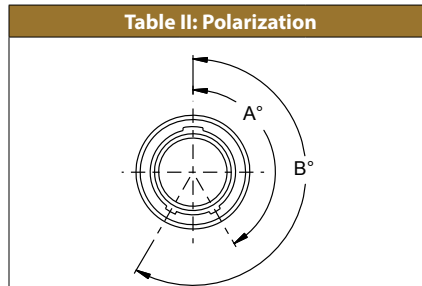
805-129 Ordering Information

Twin-Ax PC Tail, Panel Mount Receptacles feature mission critical performance in a small, lightweight package. Shell styles include front and rear panel mount square flange and jam-nut. 6 shell sizes available in 17 insert arrangements including 8 size #12 twinax arrangements. Nine combo

arrangements with size #12 and #23 contacts. Connectors are environmentally sealed, back potted and paralyene compatible. Contacts are non-removable.

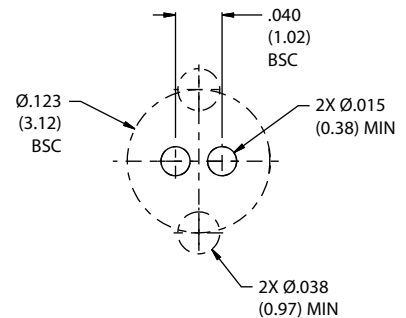
How To Order	
Sample Part Number	805-129 -07 M 9-1 P A
Series	805-129 = TwinAx PCB Receptacle
Shell Style (See Table I)	-02 = Square Flange, Front or Rear Panel Mount -12 = Square Flange, Rear Panel Mount Non-Locking Clinch Nuts; Consult Factory for SST Material -22 = Square Flange, Rear Panel Mount Locking Clinch Nuts; Consult Factory for Stainless Steel Material -07 = Jam-Nut, Rear Panel Mount
Material and Finish	C = Aluminum / Black Anodize (Non-Conductive) RoHS Compliant M = Aluminum / Electroless Nickel RoHS Compliant MT = Aluminum / Nickel-PTFE RoHS Compliant NF = Aluminum / Cadmium with Olive Drab Chromate ZNU = Aluminum / Zinc-Nickel with Black Chromate Z1 = Stainless Steel / Passivated RoHS Compliant
Shell Size - Insert Arrangement	Size 12 Arrangements (tested at 1800 VAC) Combo Arrangements (tested at 750 VAC) 9-1, 12-2, 15-2, 15-3, 18-4, 18-5, 19-7, 23-12 12-200 12-201, 15-200, 15-201, 15-204, 18-206, 18-207, 19-204
Contact Type	P = Pin, PC Tail S = Socket, PC Tail
Polarization (See Table I)	A = Normal B = Pos. B C = Pos. C D = Pos. D E = Pos. F F = Pos. F

Table I: Shell Style	
-02, -12, -22 Square Flange	-07 Jam-Nut



Pos.	A	B
A (Normal)	150°	210°
B	75°	210°
C	95°	230°
D	140°	275°
E	75°	275°
F	95°	210°

SIZE 12 TWINAX PCB FOOTPRINT DETAIL



NOTES

1. Contacts are non removable and connector is back potted
2. This receptacle mates with all quick coupling high density plug connectors with same polarization and opposite contact gender
3. This connector is environmentally sealed to meet a helium leak detection level less than 10⁻⁴ cc/sec at one atmosphere Delta P

Dimensions in Inches (millimeters) are subject to change without notice.

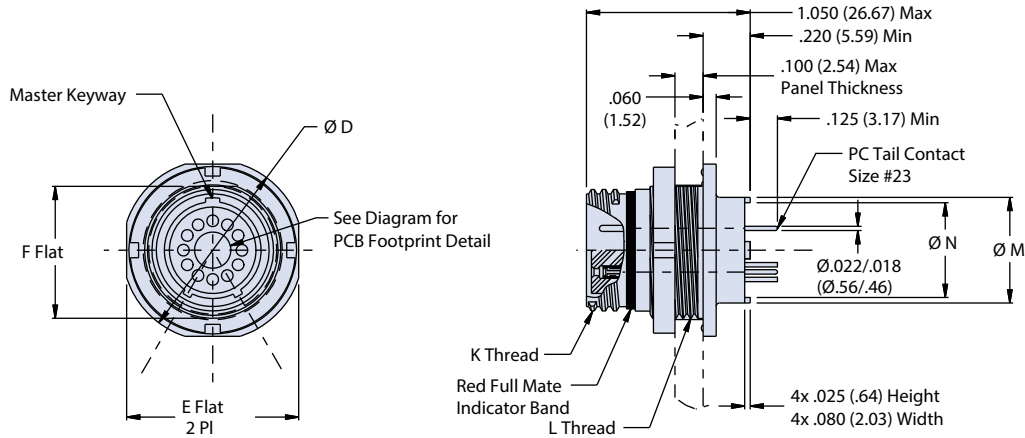
Series 805 Mighty Mouse Triple-Start ACME Thread Receptacle with #12 Twinax PC Tail Contacts

805-129 Shell Style 07 Dimensions



Series 805

Jam-nut, rear panel mount receptacle - shell style 07



Dimensions					
SHELL SIZE	Ø D	E FLAT	F FLAT	K THREAD	L THREAD
9	.880 (22.35)	.850 (21.59)	.665 (16.89) .661 (16.79)	.5625-.1P-.3L-TS	.6875-28 UN-2A
12	1.060 (26.92)	1.035 (26.29)	.788 (20.02) .784 (19.91)	.7500-.1P-.3L-TS	.8125-28 UN-2A
15	1.203 (30.56)	1.173 (29.79)	.974 (24.74) .970 (24.64)	.9375-.1P-.3L-TS	1.0000-28 UN-2A
18	1.389 (35.28)	1.359 (34.52)	1.151 (29.24) 1.147 (29.13)	1.1250-.1P-.3L-TS	1.1875-28 UN-2A
19	1.450 (36.83)	1.420 (36.07)	1.225 (31.12) 1.221 (31.01)	1.1875-.1P-.3L-TS	1.2500-28 UN-2A
23	1.705 (43.31)	1.675 (42.55)	1.474 (37.44) 1.470 (37.34)	1.4375-.1P-.3L-TS	1.5000-28 UN-2A

Jam-Nut, Rear Panel Mount Panel Cutout Dimensions		
Shell Size	N Flat	Ø P
9	.671 (17.04) .667 (16.94)	.698 (17.73) .693 (17.60)
12	.794 (20.17) .790 (20.07)	.822 (20.88) .817 (20.75)
15	.980 (24.89) .976 (24.79)	1.010 (25.65) 1.005 (25.53)
18	1.157 (29.39) 1.153 (29.29)	1.198 (30.43) 1.193 (30.30)
19	1.231 (31.27) 1.227 (31.17)	1.260 (32.00) 1.255 (31.88)
23	1.480 (37.59) 1.476 (37.49)	1.510 (38.35) 1.505 (38.23)

Materials and Finishes

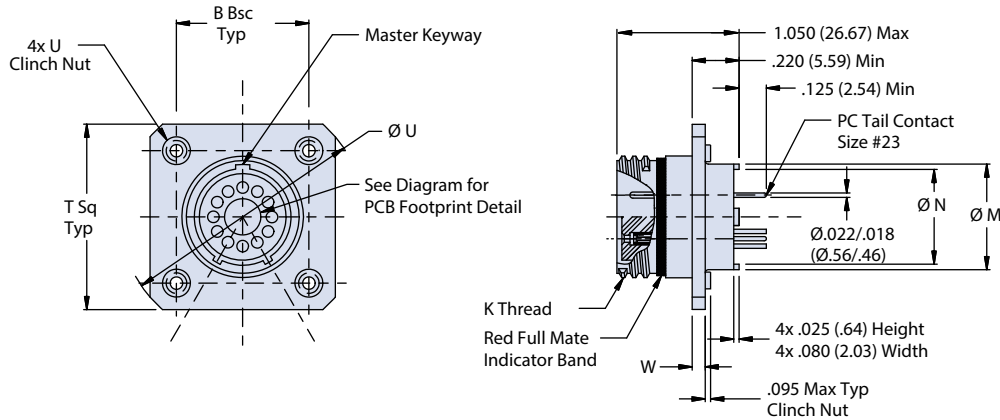
- Shell, jam-nut: aluminum or stainless steel / see how to order table
- Insulators: high-grade rigid dielectric / N.A
- Interfacial seal, O-ring: fluorosilicone / N.A.
- Contact: copper alloy, gold plate per ASTM B 488, Type II, Code C, Class 1.25 over a suitable underplate
- Potting compound: epoxy

Dimensions in Inches (millimeters) are subject to change without notice.

Series 805 Mighty Mouse Triple-Start ACME Thread Receptacle with #12 Twinax PC Tail Contacts

805-129 Shell Style 12 and 22 Dimensions

Square flange, rear panel mount receptacle - shell style 12 and 22



Dimensions								
Shell Size	B Bsc	K Thread	Ø M	Ø N	Ø R	T Sq	U Clinch Nuts	W
9	.723 (18.36)	.5625-.1P-.3L-TS	.432 (10.97)	.322 (8.18)	1.283 (32.59)	.983 (24.97)	2-56	.030 (0.76)
12	.909 (23.09)	.7500-.1P-.3L-TS	.620 (15.75)	.513 (13.03)	1.546 (39.27)	1.169 (29.69)	4-40	.060 (1.52)
15	1.058 (26.87)	.9375-.1P-.3L-TS	.705 (17.91)	.594 (15.09)	1.817 (46.15)	1.378 (35.00)		
18	1.255 (31.88)	1.1250-.1P-.3L-TS	.863 (21.92)	.755 (19.18)	2.096 (53.24)	1.575 (40.00)		
19	1.327 (33.71)	1.1875-.1P-.3L-TS	.912 (23.16)	.805 (20.45)	2.197 (55.80)	1.647 (41.83)		
23	1.570 (39.88)	1.4375-.1P-.3L-TS	1.162 (29.51)	1.055 (26.80)	2.541 (64.54)	1.890 (48.01)		

Square Flange, Rear Panel Mount Panel Cutout			
Shell Size	H BSC	J Holes	Ø P
9	.723 (18.36)	.096 (2.43)	.578 (14.68)
12	.909 (23.09)	.091 (2.31)	.765 (19.43)
15	1.058 (26.87)	.130 (.13)	.953 (24.21)
18	1.255 (31.88)		1.140 (28.96)
19	1.327 (33.71)		1.203 (30.56)
23	1.570 (39.88)		1.453 (36.91)

Materials and Finishes

- Shell: aluminum or stainless steel / see how to order table
- Insulators: high-grade rigid dielectric / N.A
- Interfacial seal, O-ring: fluorosilicone / N.A.
- Contact: copper alloy, gold plate per ASTM B 488, Type II, Code C, Class 1.25 over a suitable underplate
- Potting compound: epoxy

Dimensions in Inches (millimeters) are subject to change without notice.

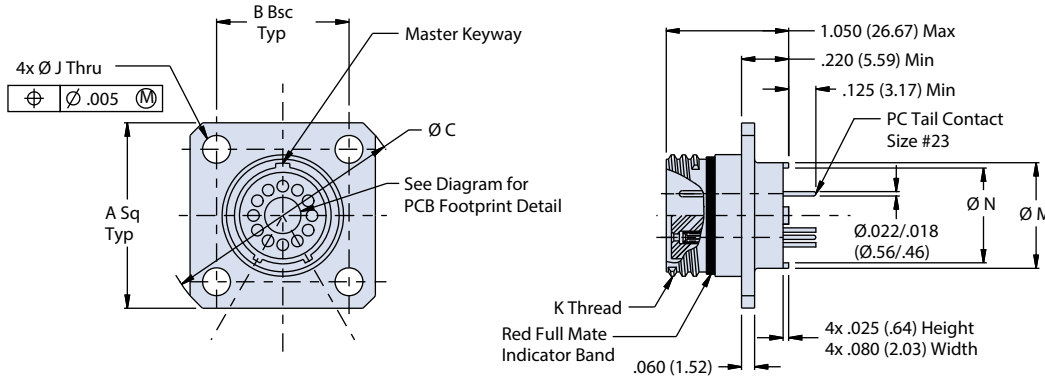
Series 805 Mighty Mouse Triple-Start ACME Thread Receptacle with #12 Twinax PC Tail Contacts

805-129 Shell Style 02 Dimensions



Series 805

Square flange, rear panel mount receptacle - shell style 02



Dimensions							
Shell Size	A Sq	B Bsc	Ø C	J Holes	K Thread	Ø M	Ø N
9	.913 (23.19)	.723 (18.36)	1.230 (31.24)	.096 (2.44)	.5625-.1P-.3L-TS	.432 (10.97)	.322 (8.18)
12	1.099 (27.91)	.909 (23.09)	1.500 (38.10)	.091 (2.31)	.7500-.1P-.3L-TS	.620 (15.75)	.513 (13.03)
15	1.288 (32.72)	1.058 (26.87)	1.750 (44.45)	.130 (3.30)	.9375-.1P-.3L-TS	.705 (17.91)	.594 (15.09)
18	1.475 (37.47)	1.255 (31.88)	2.000 (50.80)		1.1250-.1P-.3L-TS	.863 (21.92)	.755 (19.18)
19	1.537 (39.04)	1.327 (33.71)	2.094 (53.19)		1.1875-.1P-.3L-TS	.912 (23.16)	.805 (20.45)
23	1.787 (45.39)	1.570 (39.88)	2.440 (61.98)		1.4375-.1P-.3L-TS	1.162 (29.51)	1.055 (26.80)

Square Flange, Rear Panel Mount Panel Cutout			
Shell Size	H BSC	J Holes	Ø P
9	.723 (18.36)	.096 (2.43)	.578 (14.68)
12	.909 (23.09)	.091 (2.31)	.765 (19.43)
15	1.058 (26.87)	.130 (.13)	.953 (24.21)
18	1.255 (31.88)		1.140 (28.96)
19	1.327 (33.71)		1.203 (30.56)
23	1.570 (39.88)		1.453 (36.91)

Materials and Finishes

- Shell: aluminum or stainless steel / see how to order table
- Insulators: high-grade rigid dielectric / N.A
- Interfacial seal, O-ring: fluorosilicone / N.A.
- Contact: copper alloy, gold plate per ASTM B 488, Type II, Code C, Class 1.25 over a suitable underplate
- Potting compound: epoxy

Dimensions in Inches (millimeters) are subject to change without notice.