

Series 805 Mighty Mouse Triple-Start ACME Thread Hermetic PC Tail Co-Ax Contacts with Thrd Standoff

805-132 Ordering Information



Series 805

Series 805 Hermetic Receptacles feature gold plated nickel-iron alloy contacts and compression glass dielectric material. Threaded standoff for board washout and robust attachment to PC board. Hermetically sealed to 1×10^{-7} cc/second at 1 atmosphere differential. Stainless steel connector shell provides excellent corrosion protection. Rear panel mount square flange and jam-nut configurations available. Co-ax contacts available for size 12 and 16 contact arrangements only.

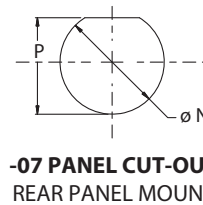
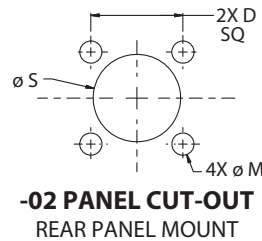
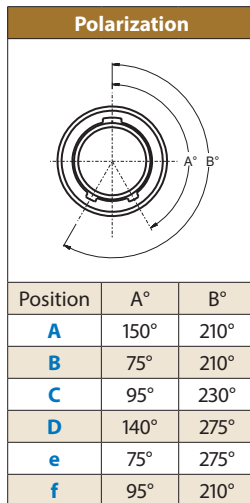
How To Order							
Sample Part Number	805-132	-07	Z1	15-5	C	A	-50
Series	805-132 = Hermetic Receptacle						
Shell Style (See Table I)	-02 = Square Flange Mount -07 = Jam -Nut, Rear Panel Mount						
Shell Material and Finish	Z1 = Stainless Steel / Passivated ZL = Stainless Steel / Nickel Plated						
Shell Size - Insert Arrangement	See Contact Arrangements page H-4 and H-5, Contact size 16 and 12 only						
Contact Type	C = P.C. Therm., Pin D = P.C. Therm., Socket						
Keyway Position (See Table II)	A = Pos. A B = Pos. B C = Pos. C D = Pos. D E = Pos. E F = Pos. F						
Nominal Impedance	50 = 50 OHM (#12 & 16) 75 = 75 OHM (#12 ONLY)						

NOTES

- Performance Test Criteria:
 - Hermeticity: 1×10^{-7} ccHe/sec @ 1 atmosphere differential
 - D.W.V.: per DWV rating table
 - I.R.: 5000 megohms Min @500 Vdc
- Receptacle mates with Glenair 805 style plug connectors with same size, polarization, and opposite contact gender.
- Combo arrangements available with #16 and #12 (no size #8). All #16 and #12 will be coax
- See PCB footprints referenced in section B, page 8.

Material/Finish

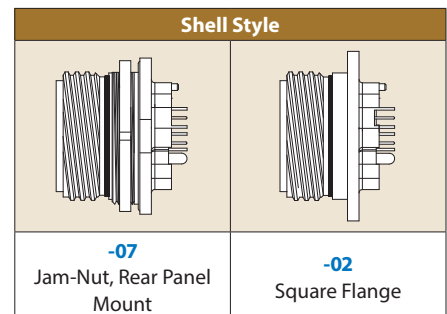
- Shell, jam-nut: CRES see part number development / N.A.
- Contacts hermetic: nickel alloy/gold plate
- Contacts, socket: copper alloy/gold plate
- Hood, sockets: CRES/passivate
- Insulator, hermetic: full glass / N.A.
- Insulator, socket: high-grade dielectric / N.A.
- Seals and o-rings: fluorosilicone blend / N.A.



Panel Cutout Dimensions				
Shell Size	"ø N" Mounting Hole	"P" Mounting Flat	"ø R" ±.015	"ø S" THRU
8	.571 (14.50)	.543 (13.79)	.300 (7.62)	.515 (13.08)
9	.696 (17.68)	.669 (16.99)	.375 (9.52)	.577 (14.66)
10	.696 (17.68)	.669 (16.99)	.440 (11.18)	.640 (16.26)
11	.758 (19.25)	.729 (18.52)	.500 (12.70)	.702 (17.83)
12	.821 (20.85)	.792 (20.12)	.525 (13.34)	.765 (19.43)
13	.883 (22.43)	.849 (21.56)	.575 (14.60)	.828 (21.03)
15	1.008 (25.60)	.978 (24.84)	.615 (15.62)	.953 (24.21)
18	1.196 (30.38)	1.155 (29.34)	.765 (19.43)	1.140 (28.96)
19	1.258 (31.95)	1.229 (31.22)	.835 (21.21)	1.200 (30.48)
21	1.383 (35.13)	1.356 (34.44)	.930 (23.62)	1.328 (33.73)
23	1.508 (38.30)	1.478 (37.54)	1.065 (27.05)	1.453 (36.91)

DWV Rating	
Contact Sizes	Test Voltage
23	750 Vac
20 HD	1000 Vac
16, 12, 8	1800 Vac
16 CO-AX**	800 Vac
12 CO-AX**	1000 Vac
**Inner contact to outer contact	

øT ±.002 PC Tail	
Cont. Size	Tail Dia
23	.020 (0.51)
20 HD	.030 (0.76)
16	.063 (1.60)
12	.094 (2.39)
8	.180 (4.57)

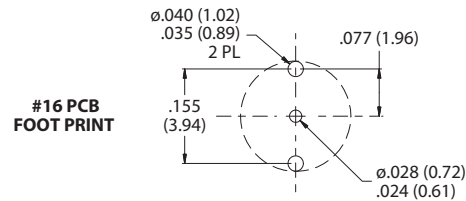
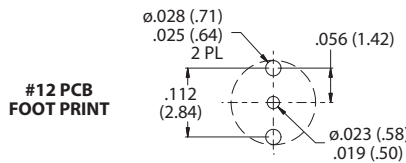
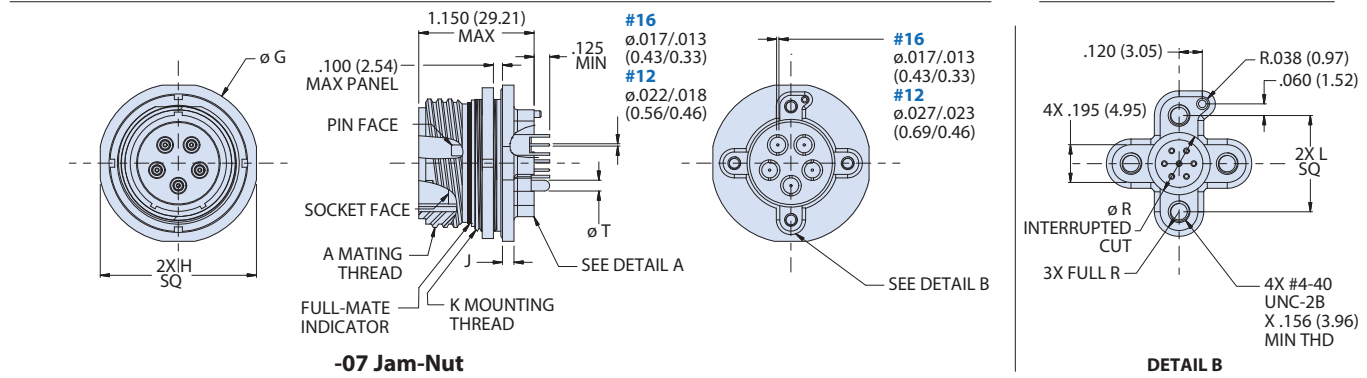
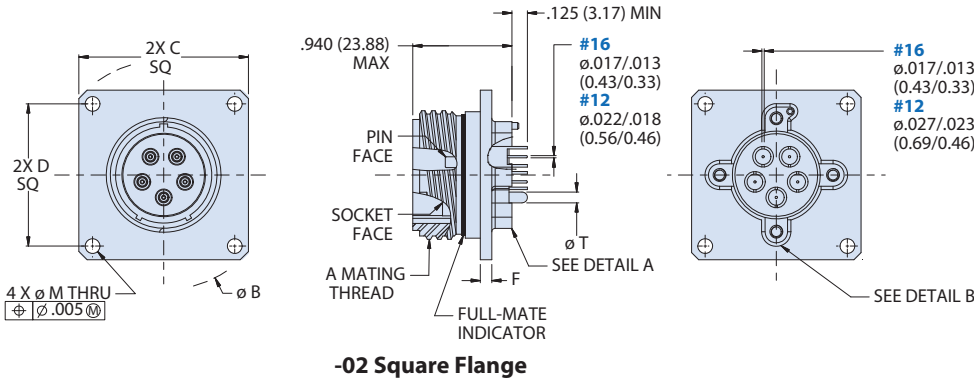


Dimensions in Inches (millimeters) are subject to change without notice.



Series 805 Mighty Mouse Triple-Start ACME Thread Hermetic PC Tail Co-Ax Contacts with Thrd Standoff

805-132 Dimensions



Dimensions

Shell Size	"A" Thread Mating -1P-.3L-TS-2A	"Ø B" Max Flange	"C" Sq Typ Flange Flats	"D" Sq Bsc Mounting Holes	"F" Max Flange	"Ø G" Flange	"H" Sq Flange Flats	"J" Max Flange	"K" Thread Mounting -28 UN-2A	"L" Board Mounting	"Ø M" Thru Mtg Holes
8	.5000	1.150 (29.21)	.850 (21.59)	.660 (16.76)	.100 (2.54)	.760 (19.30)	.730 (18.54)	.100 (2.54)	.5625	.440 (11.18)	.096 (2.44) .091 (2.31)
9	.5625	1.230 (31.24)	.913 (23.19)	.723 (18.36)		.880 (22.35)	.850 (21.59)		.6875	.515 (13.08)	
10	.6250	1.330 (33.78)	.975 (24.76)	.785 (19.94)		.925 (23.50)	.895 (22.73)		.6875	.580 (14.73)	
11	.6875	1.410 (35.81)	1.040 (26.42)	.848 (21.54)		.955 (24.26)	.925 (23.50)		.7500	.646 (16.41)	
12	.7500	1.500 (38.10)	1.099 (27.91)	.909 (23.09)		1.060 (26.92)	1.035 (26.29)		.8125	.734 (18.64)	
13	.8125	1.590 (40.39)	1.163 (29.54)	.973 (24.71)		1.120 (28.45)	1.090 (27.69)		.8750	.788 (20.02)	
15	.9375	1.750 (44.45)	1.288 (32.72)	1.058 (26.87)	1.203 (30.56)	1.173 (29.79)	1.0000	.830 (21.08)	.130 (3.30) .126 (3.20)		
18	1.1250	2.000 (50.80)	1.475 (37.47)	1.255 (31.88)	1.389 (35.28)	1.359 (34.52)	1.1875	.896 (22.76)			
19	1.1875	2.094 (53.19)	1.537 (39.04)	1.327 (33.71)	1.450 (36.83)	1.420 (36.07)	1.2500	1.059 (26.90)			
21	1.3125	2.270 (57.66)	1.663 (42.24)	1.452 (36.88)	1.580 (40.13)	1.550 (39.37)	1.3750	1.156 (29.36)			
23	1.4375	2.440 (61.98)	1.787 (45.39)	1.576 (40.03)	.125 (3.18)	1.705 (43.31)	1.675 (42.55)	.128 (3.25)		1.5000	1.284 (32.61)

Dimensions in Inches (millimeters) are subject to change without notice.