

Series 805 Ultraflexible “Phantom Cable” Cordsets



Phantom Cable cordsets feature high-flex rubber-insulated wires, lightweight shield and overbraided jackets for maximum flexibility, reduced size and minimum weight. Flexible rubber overmold provides strain relief and environmental sealing. EMI shield options include high-strength, ultralightweight Amberstrand® nickel-coated composite braid, ArmorLite™ or lightweight, high flexibility tinned copper braid. Braid outer jackets are available with NOMEX®, HALAR® or PTFE-coated fiberglass.

Product Features

- Overbraided cable jacket for excellent flexibility
- Ultra-lightweight AmberStrand® EMI shield
- 100% electrically tested
- Flexible to -55°C.
- Stainless steel shield termination band

Application Note

Overbraided textile jackets are ideal for applications where flexibility and weight are important. However, water can penetrate through the jacket and cable shield. Dust and contamination can also become entrapped in the braid. Braided jackets are prone to fraying damage caused by snagging on velcro closures and MOLLE vests. Extruded cable jackets are recommended if debris entrapment, moisture ingress or fraying damage are concerns.

Braid Shield Selection Guide			
Property	Amberstrand®	Armorlite®	Copper
Type	nickel-coated high-strength super fiber	Micro-filament nickel-coated stainless steel	Tin-coated copper
Weight/ft. (0.5 in. ID)	3.7 grams	4.4 grams	22.3 grams
Operating Temp(1)	-65° C to +200° C	-80° C to +260° C	-80° C to +150° C
Coverage	90% min.	90% min.	90% min.
Flexibility	Excellent	Excellent	Good
Cost Comparison	\$\$\$	\$\$	\$

(1) Rubber wires and rubber overmold are rated for -55° C to +135° C.

Jacket Selection Guide			
Property	NOMEX®	HALAR®	PTFE Coated Fiberglass
Color	Black or olive drab	Black	Tan
Operating Temp(1)	-55° C to +260° C	-73° C to +150° C	-75° C to +300° C
Chemical Resistance	Excellent	Excellent	Excellent
Flammability	Self-extinguishing, will not melt	Fire retardant UL VW-1	Self-extinguishing
Toxicity	Non-toxic	Non-toxic	Non-toxic
Flexibility	Excellent	Excellent	Excellent
Abrasion resistance	Excellent	Excellent	Excellent

(1) Rubber wires and rubber overmold are rated for -55° C to +135° C.

Specifications	
Cable jacket	NOMEX®, HALAR® or PTFE-coated fiberglass
Temperature Range	-55° C to +135° C
Overmold	Thermoplastic elastomer, black
Cable shield	AmberStrand®, ArmorLite® or tinned copper, 90% minimum coverage
Conductors	Silver coated stranded wire, rubber insulation
Shield Termination	Band-Master™ ATS stainless steel shield termination band
Current rating	5 amps
Test voltage (DWV)	500 Vac
Insulation resistance	200 Megohms minimum
Shielding effectiveness	50 dB minimum from 100MHz to 1000MHz.

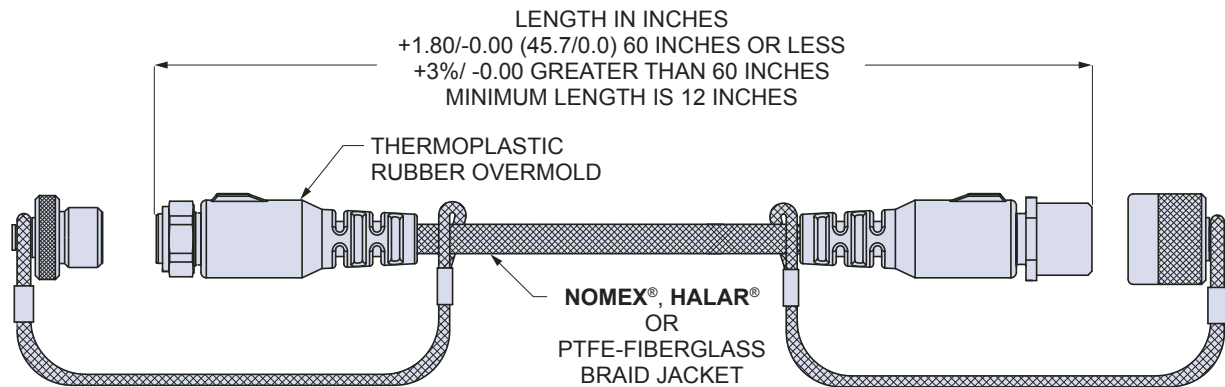
Dimensions in Inches (millimeters) are subject to change without notice.



Series 805 Mighty Mouse Triple-Start ACME Thread Flexible, Lightweight Phantom Cable Cordsets

805-057, 058, 059 and -060 Ordering Information

Series 805 "Phantom Cable" Cordsets size #12 thru #23 Contacts										
Sample Part Number										
805-027	-B	N	2	Z1	5-3	N	A	-60	C	N
Series	End A Connector	End B Connector	Wire Size	Shell Material/ Finish	Insert Arr.	Protective Cover	Shell Key Pos.	Length	Shield Option	Jacket Option
Size #23 Contacts 805-057 Phantom Cable Cordset	-A Plug, with Male Pin Contacts	A Plug, with Male Pin Contacts	Size #23 Contacts 4 #24 AWG 6 #26 AWG 8 #28 AWG	M Aluminum / Electroless Nickel NF Aluminum / Cadmium with OD Chromate ZNU	Available in Shell Sizes 8 Thru 19 See Cont. Arr. Page H-3	P Metal Protective Covers Included N No Covers Supplied	A Normal B Pos. B C Pos. C D Pos. D E Pos. E F Pos. F	Overall Length In Inches 12 Inch Min.	A Amberstrand B Armorlite C Tin-Coated Copper	D Nomex, Olive Drab N Nomex, Black H Halar (Monofil) P Peek (Monofil)
Size #20 HD Contacts 805-058 Phantom Cable Cordset	-C Rec. with Male Pin Contacts	C Rec. with Male Pin Contacts	Size #20 HD Contacts 0 #20 AWG 2 #22 AWG	Aluminum / Zinc-Nickel with Black Chromate MT			See key positions on page H-5			
Size #16 Contacts 805-059 Phantom Cable Cordset	-D Rec. with Female Socket Contacts	D Rec. with Female Socket Contacts N No Connector (Single-Ended)	Size #16 Contacts 6 #16 AWG 8 #18 AWG	Z1 Stainless Steel / Passivated						
Size #12 Contacts 805-060 Phantom Cable Cordset			Size #12 Contacts 2 #12 AWG 4 #14 AWG							



NOTES

1. Double-ended cordsets are wired pin #1 to pin #1, #2 to #2, and so on.
2. Wires are silver-coated stranded copper with TPE insulation, 600V, UL VW-1 rated.
3. Wire color is IAW MIL-STD-681 for cables containing 10 wires or less. For cable containing more than 10 wires, wire color is white.

Dimensions in Inches (millimeters) are subject to change without notice.