



Series 801 Mighty Mouse Receptacle Connector with Size #8 Quadrax, Twinax, Coax or Power Contacts

801-009 and 801-010 Ordering Information

K



Series 801 Receptacle Connectors with Size #8 Contacts

New Mighty Mouse contact arrangements accept size #8 contacts for power, Ethernet or high frequency coax applications. Series 801 Mighty Mouse receptacles feature damage-resistant double-start ACME mating threads. Available for rear panel jam nut mounting, in-line or square flange styles, these receptacles are supplied with power contacts (contact types P or S). Or, specify contact types A or B for connectors supplied less power contacts for use with quadrax, twinax or coax contacts purchased separately. Contacts are crimp type and are snap-in, rear-release with plastic extraction tool sold separately. Aluminum or stainless steel shell, thermoplastic insulators, fluorosilicone rubber seals.

| How To Order | | | | | | |
|------------------------------------|--|-----|----|---|---|---|
| Sample Part Number | 801-010 | -02 | Z1 | 17-3 | P | A |
| Series (See Table I) | 801-009 = Receptacle with Banding Platform 801-010 = Receptacle with Accessory Thread | | | | | |
| Shell Style | -01 = In-Line For Free-Hanging Cables -02 = Square Flange For Front or Rear Mounting -12 = Square Flange For Rear Mounting with Non-Locking Clinch Nuts -22 = Square Flange For Rear Mounting with Locking Clinch Nuts -07 = Jam Nut For Rear Panel Mounting | | | | | |
| Shell Material and Finish | M = Aluminum / Electroless Nickel RoHS Compliant NF = Aluminum / Cadmium with Olive Drab Chromate ZR = Aluminum / Zinc-Nickel with Non-Reflective Black Chromate RoHS Compliant MT = Aluminum / Nickel-PTFE RoHS Compliant Z1 = Stainless Steel / Passivated RoHS Compliant | | | | | |
| Shell Size - Insert Arrangement | 8-1, 16-208, 16-2, 17-3, 17-205, 19-4, 21-5, 19-201, 19-202, 21-200 (See page K-5) | | | | | |
| Contact Type | Connector supplied with #8 power contacts P = Pin with #8 Power Contacts A = Pin Connector, Less Contacts | | | Connector supplied without contacts (Order quadrax, twinax or coax contacts separately.) S = Socket with #8 AWG Power Contacts B = Socket Connector, Less Contacts | | |
| Shell Key Positions (See Table II) | A = Normal B = Pos. B C = Pos. C D = Pos. D E = Pos. E F = Pos. F | | | | | |

| Table I: Series | |
|--|--|
| | |
| 801-009 Receptacle with Banding Platform | 801-010 Receptacle with Accessory Thread |

| Table II: Shell Key Positions | | | |
|-------------------------------|------|------|--|
| Position | A° | B° | |
| A | 150° | 210° | |
| B | 75° | 210° | |
| C | 95° | 230° | |
| D | 140° | 275° | |
| E | 75° | 275° | |
| F | 95° | 210° | |

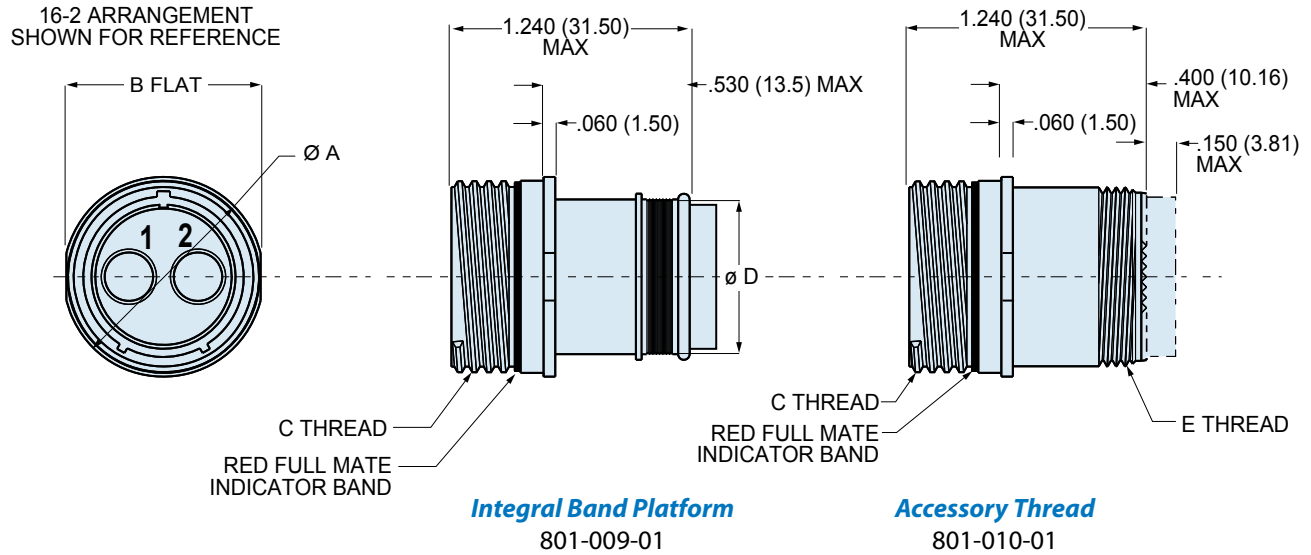
Dimensions in Inches (millimeters) are subject to change without notice.

Series 801 In-Line Mighty Mouse Receptacle with Size #8
 Quadrax, Twinax, Coax or Power Contacts
 801-009 and 801-010 - Shell Style -01 Dimensions



Mighty Mouse
 with #8 Contacts

In-line cable receptacle with band platform or accessory thread

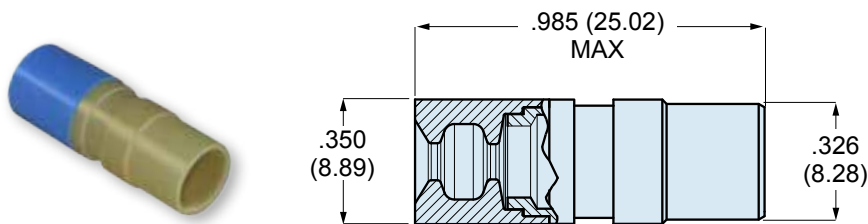


| Dimensions | | | | | | | | |
|------------|-------|-------|--------|-------|----------------------|-------|-------|---------------------|
| Shell Size | Ø A | | B Flat | | C Thread | Ø D | | E Thread UNEF-2A |
| | In. | mm. | In. | mm. | | In. | mm. | |
| 8 | .540 | 13.72 | .510 | 12.95 | .5000-.05P-.1L-DS-2A | .445 | 11.30 | .5000-28 |
| 16 | 1.040 | 26.42 | 1.010 | 25.65 | 1.000-.1P-.2L-DS-2A | .805 | 20.45 | .9375-20 |
| 17 | 1.110 | 28.19 | 1.070 | 27.18 | 1.0625-.1P-.2L-DS-2A | .850 | 21.59 | .9375-20 |
| 19 | 1.243 | 31.57 | 1.191 | 30.25 | 1.1875-.1P-.2L-DS-2A | .956 | 24.28 | 1.0625-18 |
| 21 | 1.405 | 35.69 | 1.385 | 35.18 | 1.3125-.1p-.2L-DS-2a | 1.110 | 28.19 | 1.1875-18 |

Sealing Boot

Sealing boot provides wire seal. Slide boot onto wire before terminating contact. After contact is installed in connector, slide boot forward into connector grommet to seal the contact cavity. "F" suffix added on contact part number specifies contact supplied with sealing boot P/N 859-042-03.

| Wire Dia. (in.) | Wire Dia. (mm.) | Part Number |
|--------------------|--------------------|-------------|
| .170 - .205 | 4.3 - 5.2 | 859-042-03 |



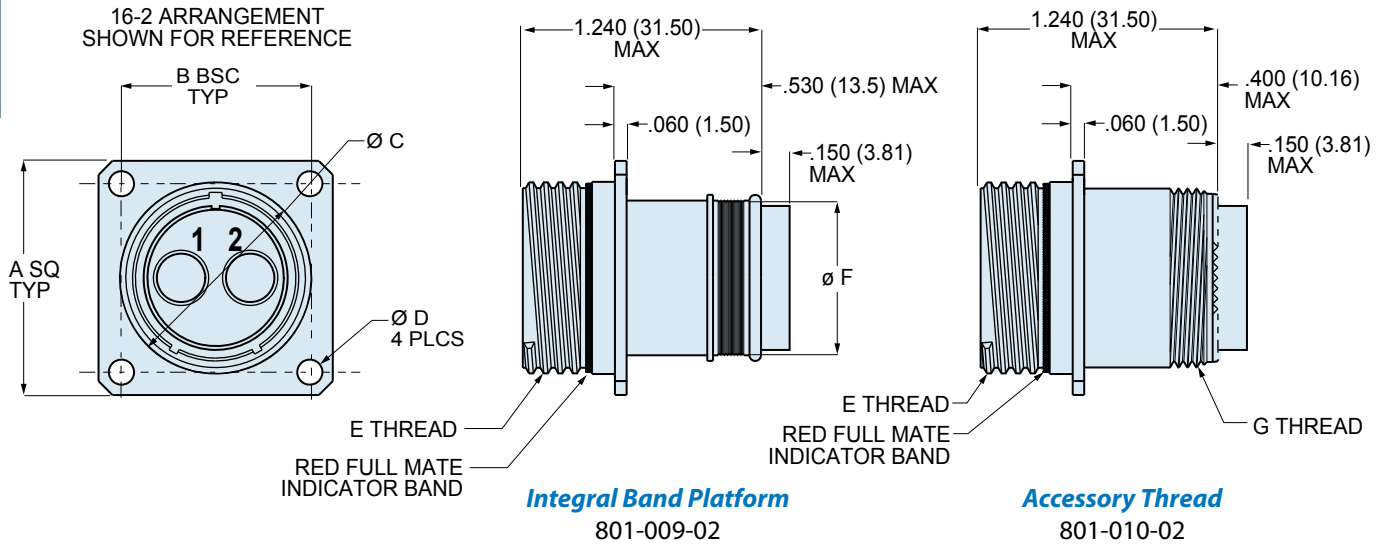
Dimensions in Inches (millimeters) are subject to change without notice.



Series 801 Square Flange Mighty Mouse Receptacle with
Size #8 Quadrax, Twinax, Coax or Power Contacts
801-009 and 801-010 - Shell Style -02 Dimensions

K

Square flange receptacle with band platform or accessory thread



| Dimensions | | | | | | | | | | | | |
|------------|-------|-------|-------|-------|-------|-------|------|------|----------------------|-------|-------|---------------------|
| Shell Size | A | | B BSC | | Ø C | | Ø D | | E Thread | Ø F | | G Thread UNEF-2A |
| | In. | mm. | In. | mm. | In. | mm. | In. | mm. | | In. | mm. | |
| | | | | | | | | | | | | |
| 8 | .712 | 18.08 | .545 | 13.84 | .938 | 23.83 | .093 | 2.36 | .5000-.05P-.1L-DS-2A | .445 | 11.30 | .5000-28 |
| 16 | 1.219 | 30.96 | .981 | 24.92 | 1.625 | 41.28 | .128 | 3.25 | 1.000-.1P-.2L-DS-2A | .805 | 20.45 | .9375-20 |
| 17 | 1.280 | 32.51 | 1.060 | 26.92 | 1.700 | 43.18 | .128 | 3.25 | 1.0625-.1P-.2L-DS-2A | .850 | 21.59 | .9375-20 |
| 19 | 1.432 | 36.37 | 1.191 | 30.25 | 1.900 | 48.26 | .128 | 3.25 | 1.1875-.1P-.2L-DS-2A | .956 | 24.28 | 1.0625-18 |
| 21 | 1.565 | 39.62 | 1.322 | 33.61 | 2.100 | 53.34 | .128 | 3.25 | 1.3125-.1P-.2L-DS-2a | 1.110 | 28.19 | 1.1875-18 |

| Square Flange Panel Cutout | | | | | | |
|----------------------------|-------|-------|-------|-------|------|------|
| Shell Size | Ø A | | B BSC | | Ø C | |
| | In. | mm. | In. | mm. | In. | mm. |
| 8 | .515 | 13.08 | .545 | 13.84 | .093 | 2.36 |
| 16 | 1.015 | 25.78 | .981 | 24.92 | .128 | 3.25 |
| 17 | 1.078 | 27.38 | 1.060 | 26.92 | .128 | 3.25 |
| 19 | 1.203 | 30.56 | 1.191 | 30.25 | .128 | 3.25 |
| 21 | 1.325 | 33.66 | 1.205 | 30.61 | .128 | 3.25 |

Dimensions in Inches (millimeters) are subject to change without notice.

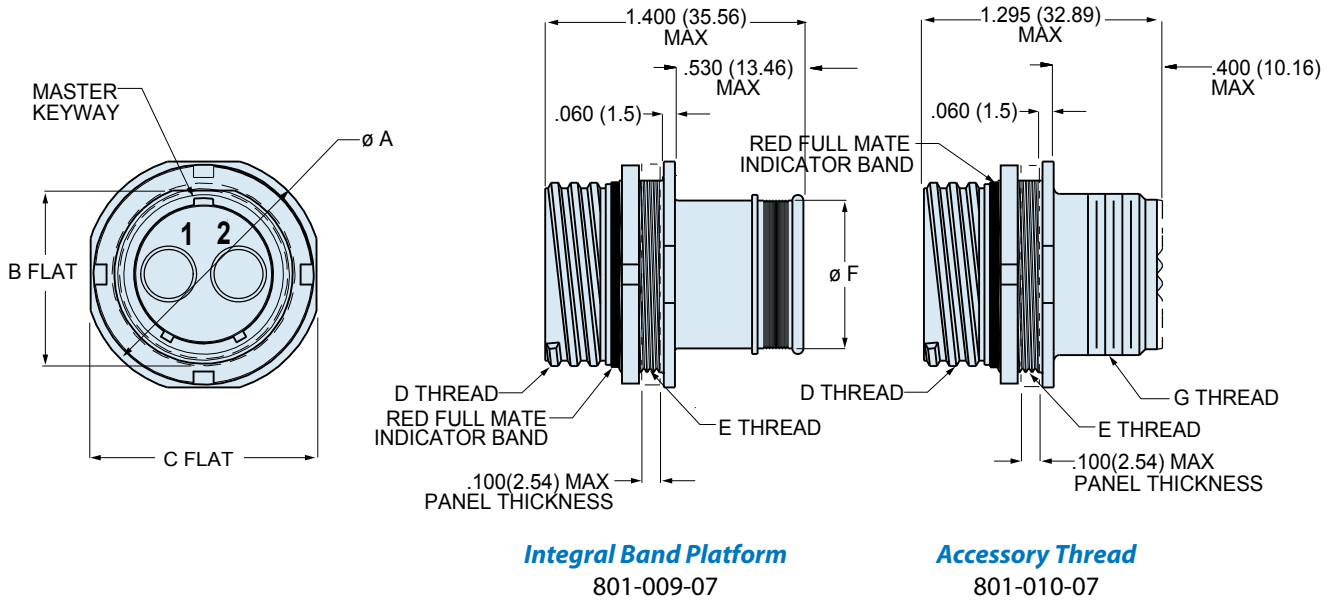
Series 801 Jam Nut Mighty Mouse Receptacle with Size #8 Quadrax, Twinax, Coax or Power Contacts
801-009 and 801-010 - Shell Style -07 Dimensions



Mighty Mouse
with #8 Contacts

Jam nut rear panel mount receptacle with band platform or accessory thread

K



| Dimensions | | | | | | | | | | | |
|------------|-------|-------|--------|-------|--------|-------|----------------------|----------------|-------|-------|------------------|
| Shell Size | Ø A | | B Flat | | C Flat | | D Thread | E Thread UN-2A | Ø F | | G Thread UNEF-2A |
| | In. | mm. | In. | mm. | In. | mm. | | | In. | mm. | |
| 8 | .755 | 19.77 | .536 | 13.61 | .723 | 18.36 | .5000-.05P-.1L-DS-2A | .5625-32 | .445 | 11.30 | .5000-28 |
| 16 | 1.264 | 32.11 | 1.022 | 25.96 | 1.230 | 31.24 | 1.000-.1P-.2L-DS-2A | 1.0625-20 | .805 | 20.45 | .9375-20 |
| 17 | 1.325 | 33.66 | 1.096 | 27.84 | 1.290 | 32.77 | 1.0625-.1P-.2L-DS-2A | 1.125-28 | .850 | 21.59 | .9375-20 |
| 19 | 1.450 | 36.83 | 1.225 | 31.12 | 1.415 | 35.94 | 1.1875-.1P-.2L-DS-2A | 1.250-28 | .956 | 24.28 | 1.0625-18 |
| 21 | 1.625 | 41.28 | 1.345 | 34.16 | 1.577 | 40.06 | 1.3125-.1p-.2l-DS-2a | 1.375-28 | 1.110 | 28.19 | 1.1875-18 |

| Jam Nut Panel Cutout | | | | |
|----------------------|---------------|---------------|---------------|---------------|
| Shell Size | A Flat | | Ø B | |
| | In. ± .002 | mm. ± 0.05 | In. ± .002 | mm. ± 0.05 |
| 8 | .542 | 13.77 | .573 | 14.55 |
| 16 | 1.028 | 26.11 | 1.075 | 27.31 |
| 17 | 1.102 | 27.99 | 1.135 | 28.83 |
| 19 | 1.233 | 31.32 | 1.260 | 32.00 |
| 21 | 1.354 | 34.39 | 1.385 | 35.18 |

Dimensions in Inches (millimeters) are subject to change without notice.

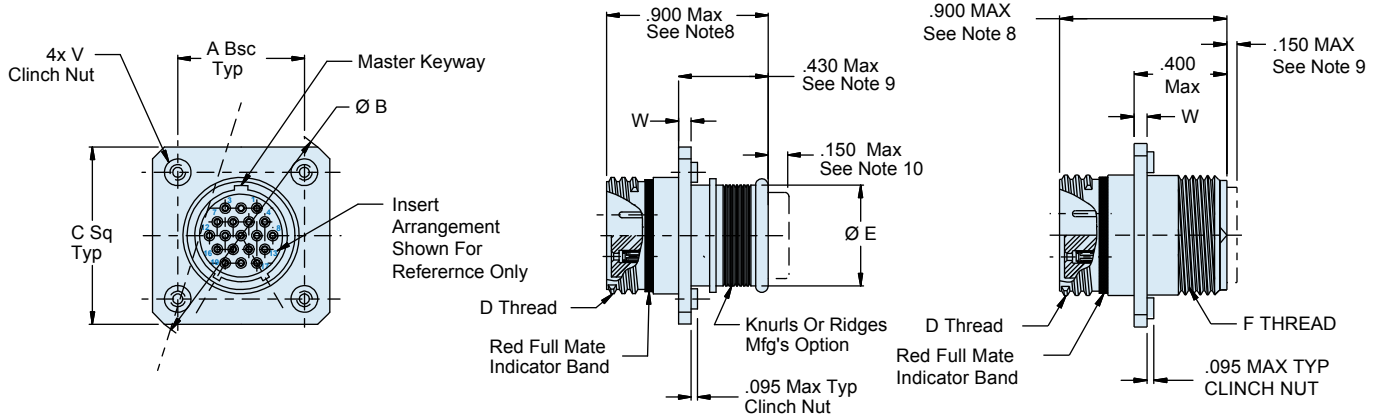


Series 801 Square Flange Mighty Mouse Receptacle with Size #8 Quadrax, Twinax, Coax or Power Contacts

801-009 and 801-010 - Shell Style -12 and -22 Dimensions

K

Square flange rear panel mount receptacle with band platform or accessory thread



Integral Band Platform
801-009-12

Accessory Thread
801-010-12

| Dimensions | | | | | | | | | | | | | |
|------------|-------|-------|-------|-------|-------|-------|-----------------------|-------|-------|-------------------|---------------|------|------|
| Shell Size | A Bsc | | ØB | | C Sq. | | D Thread | Ø E | | F Thread | V Clinch Nuts | W | |
| | In. | mm. | In. | mm. | In. | mm. | | In. | mm. | | | In. | mm. |
| 8 | 0.545 | 13.84 | 1.032 | 26.21 | 0.805 | 20.45 | .5000-.05P-.1L-DS-2A | .445 | 11.30 | .5000-28 UNEF-2A | 2-56 | .030 | .76 |
| 16 | 0.981 | 24.92 | 1.708 | 43.38 | 1.301 | 33.05 | 1.0000-.05P-.1L-DS-2A | .805 | 20.45 | .9375-28 UNEF-2A | 4-40 | .060 | 1.52 |
| 17 | 1.060 | 26.92 | 1.822 | 46.28 | 1.382 | 35.10 | 1.0625-.05P-.1L-DS-2A | .850 | 21.59 | .9375-28 UNEF-2A | | | |
| 19 | 1.191 | 30.25 | 2.006 | 50.95 | 1.511 | 38.38 | 1.1875-.05P-.1L-DS-2A | 1.003 | 25.48 | 1.0625-28 UNEF-2A | | | |
| 21 | 1.322 | 33.58 | 2.190 | 55.63 | 1.642 | 41.71 | 1.3125-.05P-.1L-DS-2A | 1.110 | 28.19 | 1.1875-28 UNEF-2A | | | |

| Square Flange Panel Cutout | | | | | | |
|----------------------------|-------|-------|-------|-------|--------------|--------------|
| Shell Size | A Bsc | | ØB | | C Sq. | |
| | In. | mm. | In. | mm. | In. | mm. |
| 8 | .545 | 13.84 | .515 | 13.08 | .096 .091 | 2.44 2.31 |
| 16 | .981 | 24.92 | 1.015 | 25.78 | .130 .126 | 3.30 3.20 |
| 17 | 1.060 | 26.92 | 1.078 | 27.38 | | |
| 19 | 1.191 | 30.25 | 1.203 | 30.56 | | |
| 21 | 1.322 | 33.58 | 1.328 | 33.73 | | |

**-02 Flange
-12 & 22 Flange**

Dimensions in Inches (millimeters) are subject to change without notice.