

# Series 805 Mighty Mouse Size #8 Connector Plug with Quadrax, Twinax, Coax or Power Contacts 805-001 and 805-002 - Shell Style -16 Ordering Information



Mighty Mouse  
with #8 Contacts

K



### Series 805 Plug Connectors with Size #8 Contacts

Series 805 Mighty Mouse plugs feature damage-resistant triple start ACME mating threads, anti-decoupling ratchet and ground spring for EMI protection. New Mighty Mouse contact arrangements accept size #8 contacts for power, Ethernet or high frequency coax applications. Available with integral band platform or accessory attachment threads, these plugs are supplied with power contacts for AWG #8 wire (contact types P or S). Or, specify contact types A or B for connectors supplied less power contacts for use with quadrax, twinax or coax contacts purchased separately. Contacts are crimp type and are snap-in, rear-release with plastic extraction tool sold separately. Aluminum or stainless steel shell, thermoplastic insulators, fluorosilicone rubber seals.

How To Order						
<b>Sample Part Number</b>	<b>805-001</b>	<b>-16</b>	<b>M</b>	<b>19-205</b>	<b>P</b>	<b>A</b>
<b>Series (See Table I)</b>	<b>805-001</b> = Plug with Banding Platform <b>805-002</b> = Plug with Rear Accessory Thread					
<b>Shell Style</b>	<b>-16</b> = Plug with Anti-Decoupling Ratchet					
<b>Shell Material and Finish</b>	<b>M</b> = Aluminum / Electroless Nickel RoHS Compliant <b>NF</b> = Aluminum / Cadmium with Olive Drab Chromate <b>ZR</b> = Aluminum / Zinc-Nickel with Non-Reflective Black Chromate RoHS Compliant <b>MT</b> = Aluminum / Nickel-PTFE RoHS Compliant <b>Z1</b> = Stainless Steel / Passivated RoHS Compliant					
<b>Shell Size - Insert Arrangement (See Table II)</b>	<b>10-1, 18-2, 19-3, 21-4, 23-5, 18-208, 19-205, 21-201, 21-202, 23-200</b> (See page K-5)					
<b>Contact Type</b>	<b>Connector supplied with size #8 contacts</b> <b>P</b> = Pin with #8 Power Contacts <b>S</b> = Socket with #8 AWG Power Contacts			<b>Connector supplied without contacts (Order quadrax, twinax or coax contacts separately.)</b> <b>A</b> = Pin Connector, Less Contacts <b>B</b> = Socket Connector, Less Contacts		
<b>Shell Key Positions (See Shell Key Position Table)</b>	<b>A</b> = Normal <b>B</b> = Pos. B <b>C</b> = Pos. C <b>D</b> = Pos. D <b>E</b> = Pos. E <b>F</b> = Pos. F					

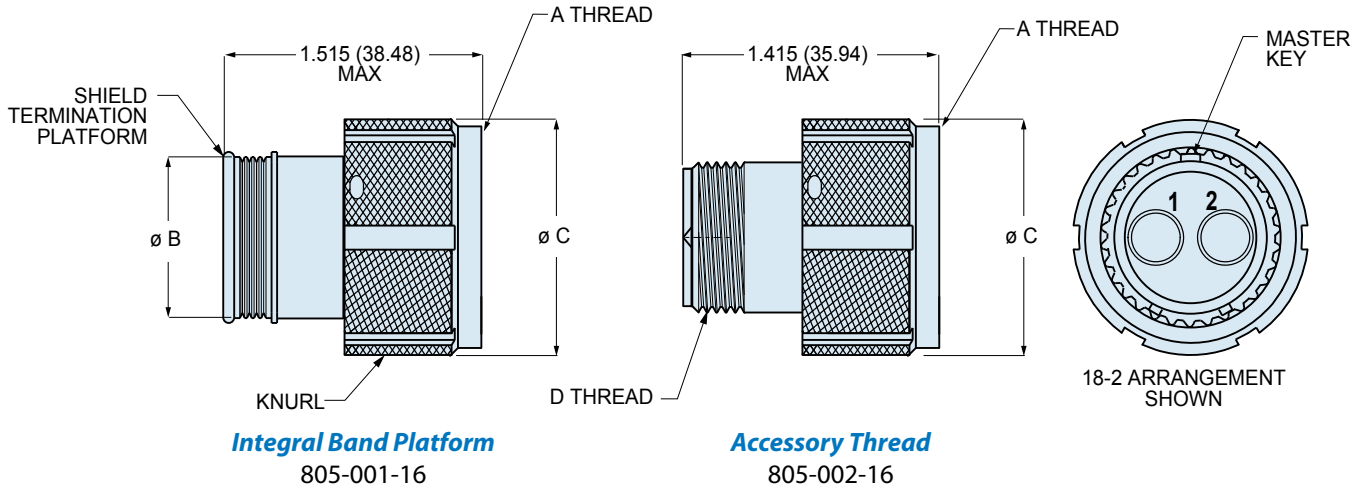
Table I: Series	
<b>805-001</b> Plug with Banding Platform	<b>805-002</b> Plug with Accessory Thread

Table II: Shell Key Positions		
Position	A°	B°
A	150°	210°
B	75°	210°
C	95°	230°
D	140°	275°
E	75°	275°
F	95°	210°

Dimensions in Inches (millimeters) are subject to change without notice.

K

**Plug with band platform or accessory thread - shell style 16**



**Integral Band Platform**  
805-001-16

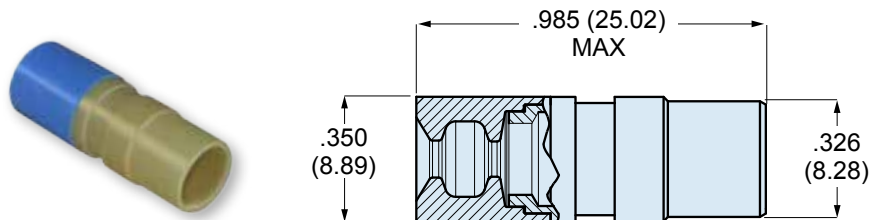
**Accessory Thread**  
805-002-16

Dimensions						
Shell Size	A Threads	Ø B		Ø C		D Threads Accessory
		In.	mm.	In.	mm.	
10-1	.6250-1P-3L-TS-2B	.472	11.99	.827	21.01	.5000-28 UNEF-2A
18-2	1.1250-1P-3L-TS-2B	.884	22.45	1.287	32.69	.9375-20 UNEF-2A
19-3	1.1875-1P-3L-TS-2B	.884	22.45	1.311	33.30	.9375-20 UNEF-2A
21-4	1.3125-1P-3L-TS-2B	1.003	25.48	1.448	36.78	1.0625-18 UNEF-2A
23-5	1.4375-1P-3L-TS-2B	1.135	28.83	1.562	39.67	1.1875-18 UNEF-2A

**Sealing Boot**

Sealing boot provides wire seal. Slide boot onto wire before terminating contact. After contact is installed in connector, slide boot forward into connector grommet to seal the contact cavity. "F" suffix added on contact part number specifies contact supplied with sealing boot P/N 859-042-03.

Wire Dia. (in.)	Wire Dia. (mm.)	Part Number
.170 - .205	4.3 - 5.2	859-042-03



Dimensions in Inches (millimeters) are subject to change without notice.