

Mighty Mouse Size #8 Contacts Including: Quadrx, Twinax, Coax, El Ochito or Power Contacts Size #8 100 Ohm Quadrx Contacts 854-001 and 854-002



Size #8 quadrx contacts

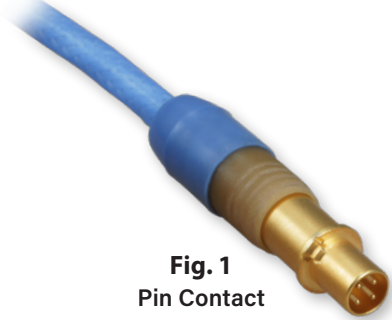


Fig. 1
Pin Contact
854-001

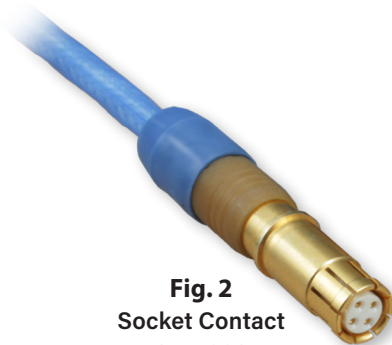


Fig. 2
Socket Contact
854-002

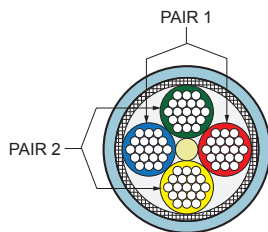
100 ohm quadrx contacts accept standard flight-grade star quad cable. These snap-in, rear release contacts fit Glenair Series 800 through 805 Mighty Mouse connectors (not compatible with Series 806) with size #8 keyed insulators to properly align contact. Crimp termination. Contact has in-line key for alignment in connector. Gold-plated copper alloy, thermoplastic insulators. Supplied as unassembled kit.

Fig.	Cable Accommodation	Contact Type	Part Number Contact Only	P/N Contact and Sealing Boot	Wire AWG	Cable OD	
						in.	mm.
1	Tensolite NF22Q100 Draka F-4704-7	Pin	854-001-05	854-001-05F	22	.190	4.83
1	PIC E51424 Tensolite NF24Q100	Pin	854-001-02	854-001-02F	24	.163	4.14
1	PIC E50424 Draka F 4704-4	Pin	854-001-04	854-001-04F	24	.175	4.45
1	PIC E51426 Tensolite NF26Q100	Pin	854-001-01	854-001-01F	26	.137	3.48
1	Draka F 4704-6	Pin	854-001-03	854-001-03F	26	.153	3.89
2	Tensolite NF22Q100 Draka F-4704-7	Socket	854-002-05	854-002-05F	22	.190	4.83
2	PIC E51424 Tensolite NF24Q100	Socket	854-002-02	854-002-02F	24	.163	4.14
2	PIC E50424 Draka F 4704-4	Socket	854-002-04	854-002-04F	24	.175	4.45
2	PIC E51426 Tensolite NF26Q100	Socket	854-002-01	854-002-01F	26	.137	3.48
2	Draka F 4704-6	Socket	854-002-03	854-002-03F	26	.153	3.89

Material And Finish	
Inner and Outer Contact, Crimp Ferrule	Copper alloy, 50 microinches gold over nickel
Insulator, Sealing Boot	High grade engineering thermoplastic
Sealing Boot Grommet	Fluorosilicone

Specifications	
Characteristic Impedance	100 Ohms ± 10 ohms
Frequency Range	DC – 3 GHz
Insulation Resistance, Ambient Temperature	5000 megohms minimum
Contact Resistance – Inner Contact	15.0 milliohms maximum initial @ 1ampere
Contact Resistance – Outer Contact	3.0 milliohms maximum initial @ 12 amperes
Dielectric Withstanding Voltage	1000 Vac RMS between contacts, 500 Vac RMS between contacts and shell
Temperature Range	-65°C to +200°C
Durability	500 mating cycles
Corrosion (salt Fog)	EIA-364-26, condition B, 48 hours
Vibration	EIA-364-28, condition VI, letter J, 43g's
Shock	EIA-364-27, condition D, 300g's

Arinc 664 Star Quad Cable



About Quadrx Contacts and Star Quad Cable

Quadrx contacts are size 8 multi-pin contacts with four signal pins and an outer contact body. These contacts are used for ARINC 664 100BASE-T Ethernet. Each quadrx contact yields one Ethernet port. The outer contact body provides a 360-degree EMI shield around the signal contacts. Star quad cables have four parallel wires uniformly twisted around a center filler. These 100 ohm high performance 100BASE-T cables are designed for use in aircraft systems. The cable has two shields– a flat tinned copper braid inner shield and an outer tinned copper overbraid. The FEP jacket meets FAA flammability requirements.

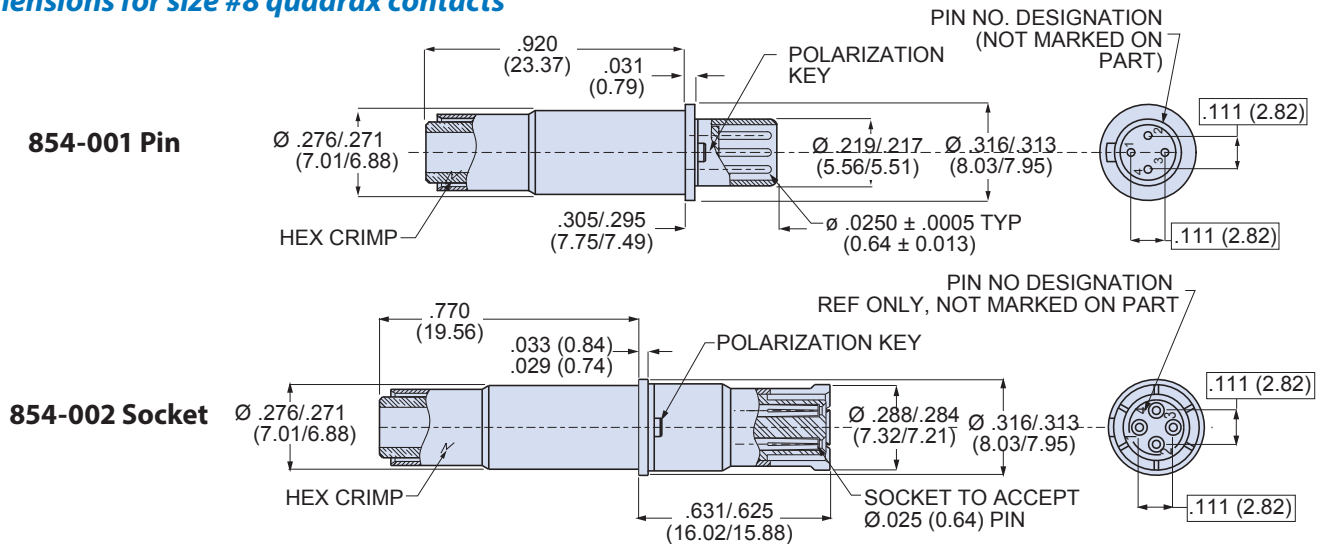
Dimensions in Inches (millimeters) are subject to change without notice.

Mighty Mouse Size #8 Contacts Including: Quadrax, Twinax, Coax, El Ocho or Power Contacts

Size #8 100 Ohm Quadrax Contacts 854-001 and 854-002

K

Dimensions for size #8 quadrax contacts



Termination tools for size #8 quadrax contacts



A M22520/2-01 crimper for inner contacts. Requires **B** positioner, ordered separately. Length is 6.75 inches, weight is approx. 10 oz.

B Positioner. Use with **A** crimper, ordered separately. Positioner holds contact at proper depth.

C Parallel action tool terminates cable shield. Use with **D** hex crimp dies. 11 inches OAL, 2.0 pounds. Anodized aluminum frame, steel mechanism, plastic handles. Accepts all M22520/5 die sets.

D Hex die set for terminating cable shield. Hardened steel, black oxide finish. Closure A is .231 (5.87), closure B is .218 (5.54).

Figure	Part Number	Military Part Number	Daniels Part Number
A	809-015	M22520/2-01	AFM8
B	809-240	M22520/2-37	K709
C	809-129	M22520/5-01	HX4
D	859-047	M22520/5-45	Y143

Contact Removal Tool

Plastic tool extracts wired contact from connector. First, remove sealing boot, then insert tool from rear of connector.

Size	Part Number	Military Part Number
#8	859-049	M81969/14-12

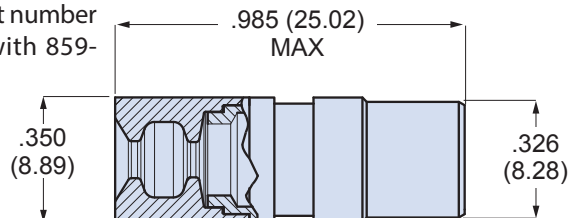


Sealing Boot

Optional sealing boot is recommended. Slide boot onto wire before terminating contact. After contact is installed in connector, slide boot forward into connector grommet to seal the contact cavity. "F" suffix on contact part number specifies contact supplied with 859-042-02 sealing boot.



Wire Dia. (in.)	Wire Dia. (mm.)	Part Number
.090 - .130	2.3 - 3.3	859-042-01
.130 - .170	3.3 - 4.3	859-042-02
.170 - .205	4.3 - 5.2	859-042-03



Dimensions in Inches (millimeters) are subject to change without notice.