

Series 811 Mighty Mouse High Density (HD) Square Flange PCB Receptacle Connectors

811-005-02 and 811-006-02 with PC Tails



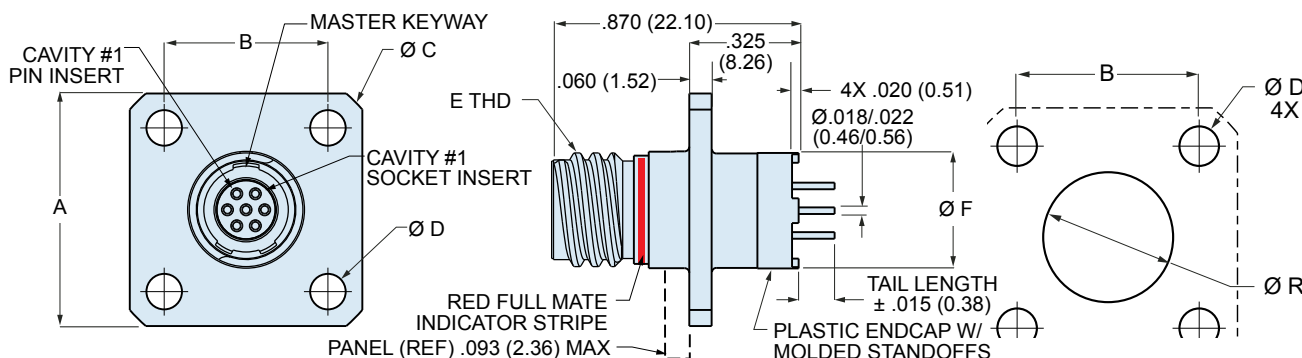
Mighty Mouse
High Density



Square Flange PC Tail Receptacles Series 811 Mighty Mouse High Density jam nut PCB receptacles have straight PC tails for termination to flex circuits or rigid boards. These receptacles are backpotted with epoxy. The TwistPin contact system meets requirements of MIL-DTL-83513 and provides outstanding resistance to high levels of shock and vibration. Choose solder-dipped or gold-plated tails. Select 811-006-02 with enhanced waterblocking for open face (unmated) immersion requirements. Molded plastic endcap has standoffs. 3A current rating, 600 VAC dielectric withstanding voltage.

How To Order							
Sample Part Number	811-005-02	MT	5-7	P	A	3	-.125
Series	811-005-02 Series 811 Rear Panel Mount Square Flange Receptacle, Straight PC Tails, Standard Epoxy Sealing 811-006-02 Series 811 Rear Panel Mount Square Flange Receptacle, Straight PC Tails, Enhanced Water Blocking for Open Face (Unmated) Water Immersion						
Material/Finish *	ME = Aluminum/Electroless Nickel ZNU* = Aluminum/Zinc-Nickel w/Black Chromate MT = Aluminum/Nickel-PTFE ZR* = Aluminum/Zinc-Nickel w/Black Chromate Z1 = Stainless Steel/Passivated						
Shell Size - Insert Arr.	5-7 = 7 Contacts	7-22 = 22 Contacts	9-42 = 42 Contacts				
	6-12 = 12 Contacts	8-30 = 30 Contacts					
Contact Type	P = Pin Contacts S = Socket Contacts						
Key Position	A = Normal Alternate Key Positions: B, C, D, E, F						
PC Tail Finish	3 = Solder-Dipped in 63/37 Tin-Lead 4 = Gold Plated						
PC Tail Length	.090, .125, .250 (Other lengths are readily available)						

* ZR and ZNU plating are RoHS compliant, non-reflective and capable of 500 hour dynamic corrosion performance



Dimensions											
Shell Size	A Square		B Square		Ø C		Ø D		E Thread	Ø F	
	In.	mm.	In.	mm.	In.	mm.	In.	mm.		In.	mm.
5	.625	15.88	.440	11.18	.825	20.96	.093	2.36	.3125-.05P-.1L-2A	.350	8.89
6	.725	18.42	.530	13.46	.950	24.13	.093	2.36	.3750-.05P-.1L-2A	.490	12.45
7	.800	20.32	.600	15.24	1.050	26.67	.093	2.36	.4375-.05P-.1L-2A	.600	15.24
8	.850	21.59	.650	16.51	1.125	28.58	.093	2.36	.5000-.05P-.1L-2A	.670	17.02
9	.950	24.13	.750	19.05	1.250	31.75	.093	2.36	.5625-.05P-.1L-2A	.770	19.56

Panel Cutout		
Shell Size	Ø G	
	In.	mm.
5	.360	9.14
6	.410	10.41
7	.520	13.21
8	.570	14.48
9	.660	16.76

Rev 11/14/17

Dimensions in Inches (millimeters) are subject to change without notice.

© 2014 Glenair, Inc.

Series 80 Mighty Mouse

U.S. CAGE Code 06324

Printed in U.S.A.

GLENAIR, INC. • 1211 AIR WAY • GLENDALE, CA 91201-2497 • 818-247-6000 • FAX 818-500-9912
www.glenair.com **L-13** **E-Mail: sales@glenair.com**

Rev. 06.14.21