



# Series 804 Push-Pull High-Speed Mighty Mouse

Quick-Disconnect Plug Connector  
with #23 Crimp Rear Release Contacts  
804-026 and 804-027 Ordering Information



**Quick Disconnect** These plugs snap securely into receptacle housings and release with a simple pull.

**Two Keying Styles** A single master key provides fast mating in low-light situations, or specify three keys for more polarizing options.

**Two Shell Styles** Integral platform for direct shield attachment using the Band-Master™ ATS termination system, or an accessory thread for attaching strain relief backshell.

How To Order						
<b>Sample Part Number</b>	<b>804-026</b>	<b>-06</b>	<b>M</b>	<b>6-7</b>	<b>P</b>	<b>A</b>
<b>Series (See Table I)</b>	<b>804-026</b> = With Banding Platform <b>804-027</b> = With Accessory Thread					
<b>Shell Style</b>	<b>-06</b> = Plug					
<b>Shell Material and Finish</b>	<b>M</b> = Aluminum / Electroless Nickel RoHS Compliant <b>NF</b> = Aluminum / Cadmium with Olive Drab Chromate <b>ZN</b> = Aluminum / Zinc-Nickel with Olive Drab Chromate <b>ZNU</b> = Aluminum / Zinc-Nickel with Black Chromate <b>Z1</b> = Stainless Steel / Passivated RoHS Compliant					
<b>Shell Size - Insert Arrangement (See Table II)</b>	<b>6-4, 6-7, 7-10, 9-19, 10-26</b>					
<b>Contact Type</b>	<b>Connector supplied with contacts</b> <b>P</b> = Pin <b>S</b> = Socket	<b>Connector supplied without contacts</b> <b>A</b> = Pin Connector <b>B</b> = Socket Connector	<b>Connector Supplied with 30 AWG Crimp Barrel</b> <b>G</b> = Pin <b>H</b> = Socket			
<b>Polarization (See Table III)</b>	<b>A</b> = Normal <b>B</b> = Pos. B <b>C</b> = Pos. C <b>D</b> = Pos. D <b>E</b> = Pos. F <b>F</b> = Pos. F					

Q

Table I: Series	
<b>804-026</b> Plug with Banding Platform	<b>804-027</b> Plug with Accessory Thread

Table II: Shell Size - Insert Arrangement				
<b>6-4</b>	<b>6-7</b>	<b>7-10</b>	<b>9-19</b>	<b>10-26</b>

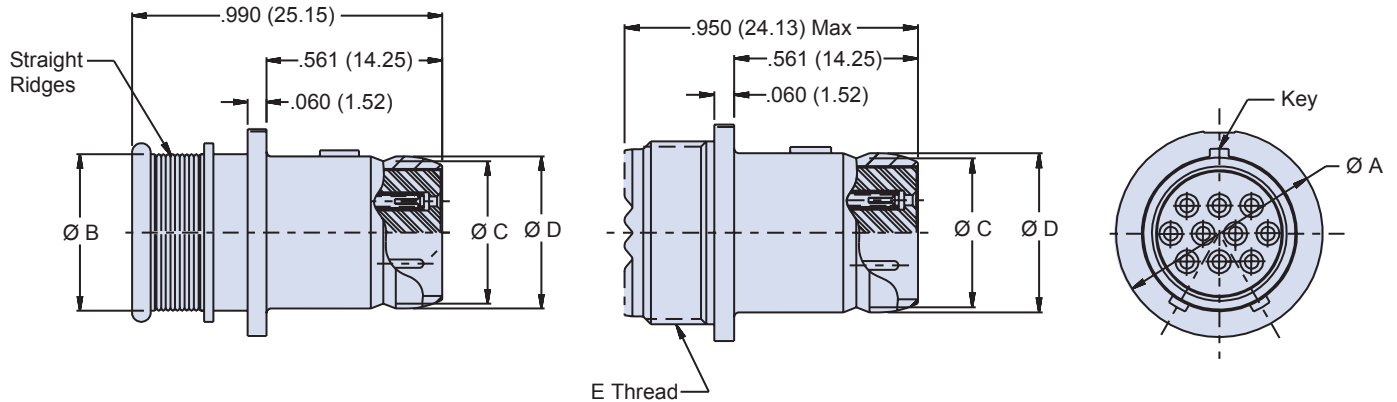
Dimensions in Inches (millimeters) are subject to change without notice.

# Series 804 Push-Pull High-Speed Mighty Mouse

Quick-Disconnect Plug Connector  
with #23 Crimp Rear Release Contacts  
804-026 and 804-027 Ordering Information



Series 804  
High-Speed



**Integral Band Platform**  
804-026-06

**Accessory Thread**  
804-027-06

Dimensions									
Shell Size	Ø A Max.		Ø B		Ø C		Ø D		E Threads
	In.	mm.	In.	mm.	In.	mm.	In.	mm.	
6	.495	12.57	.286	7.26	.282	7.16	.313	7.95	.3125-32 UNEF-2A
7	.575	14.61	.390	9.91	.351	8.92	.383	9.73	.4375-28 UNEF-2A
9	.670	17.02	.500	12.70	.454	11.53	.486	12.34	.5625-24 UNEF-2A
10	.745	18.92	.564	14.33	.529	13.44	.563	14.30	.6250-24 UNEF-2A

**Table III: Plug Key Positions**

Position	A°	B°
A	150°	210°
B	75°	210°
C	95°	230°
D	140°	275°
E	75°	275°
F	95°	210°

Dimensions in Inches (millimeters) are subject to change without notice.