



# SuperSeal™ Mighty Mouse Series 801 Receptacles

with Micro “AB” USB Receptacle  
and Rear Crimp Contact Wire Termination  
801-084 and 801-085 Ordering Information



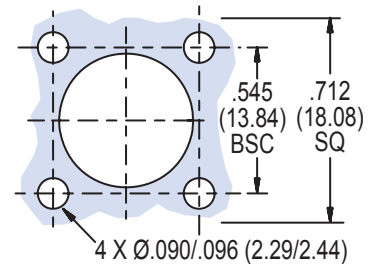
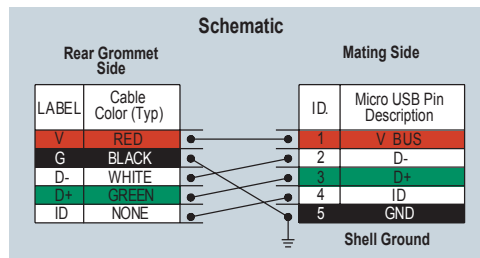
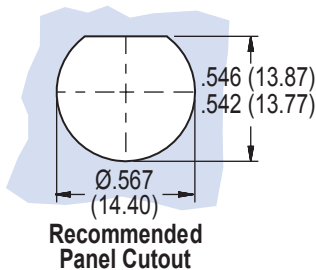
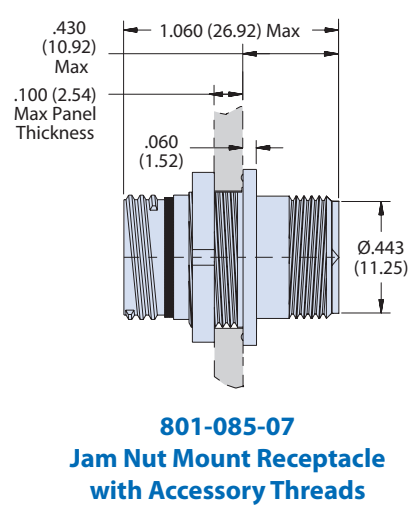
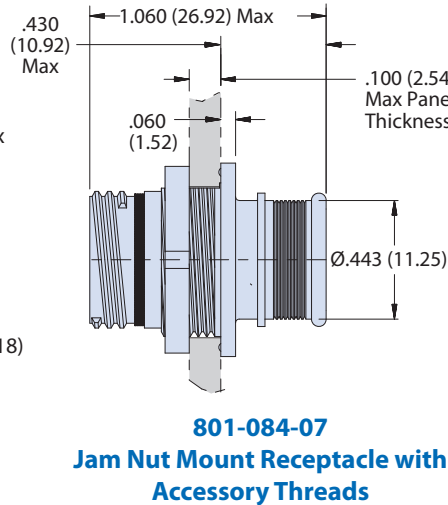
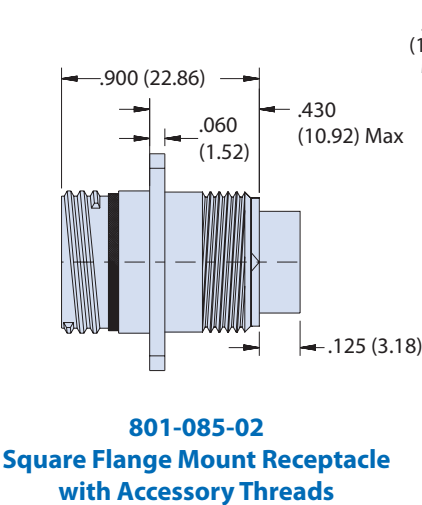
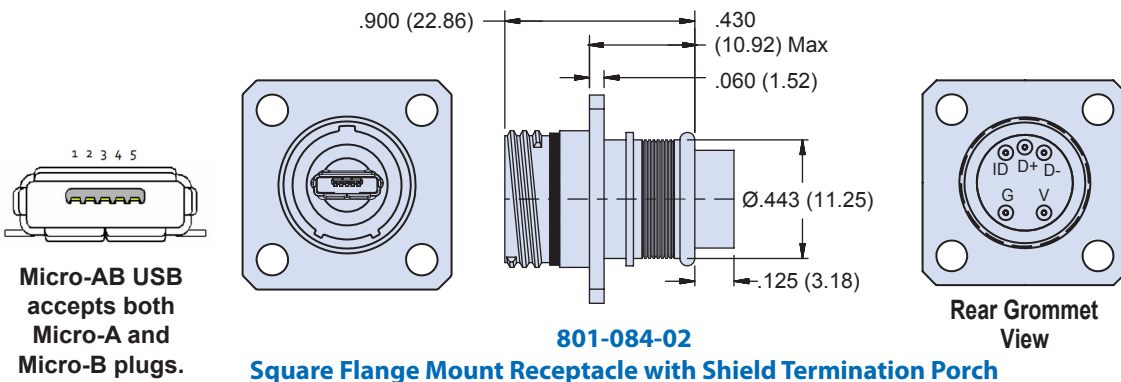
**Square Flange Mount, Micro AB USB Receptacle**



**Rear Panel Jam Nut Mount, Micro AB USB Receptacle**

How To Order				
Sample Part Number	<b>801-084</b>	<b>-02 MUSB</b>	<b>-M</b>	<b>A</b>
Series (See Table I)	<b>801-084</b> = Shield Termination Porch <b>801-085</b> = Accessory Threads			
Shell Style	<b>02</b> = Square Flange Mount Receptacle <b>07</b> = Jam Nut Mount Receptacle			
Shell Material and Finish	<b>NF</b> = Cadmium Olive Drab <b>M</b> = Electroless Nickel <b>MT</b> = Nickel PTFE <b>ZNU</b> = Black Zinc Nickel			
Shell Key Positions	<b>A, B, C, D, E, F</b>			

**These Micro AB Receptacles Mate with Glenair Plugs 801-082, 801-083, 801-087 and 801-088**



Dimensions in Inches (millimeters) are subject to change without notice.