

# SuperSeal™ Mighty Mouse Series 801 Plugs

with Front and Rear Micro “B” USB Plugs  
801-087 and 801-088 Ordering Information



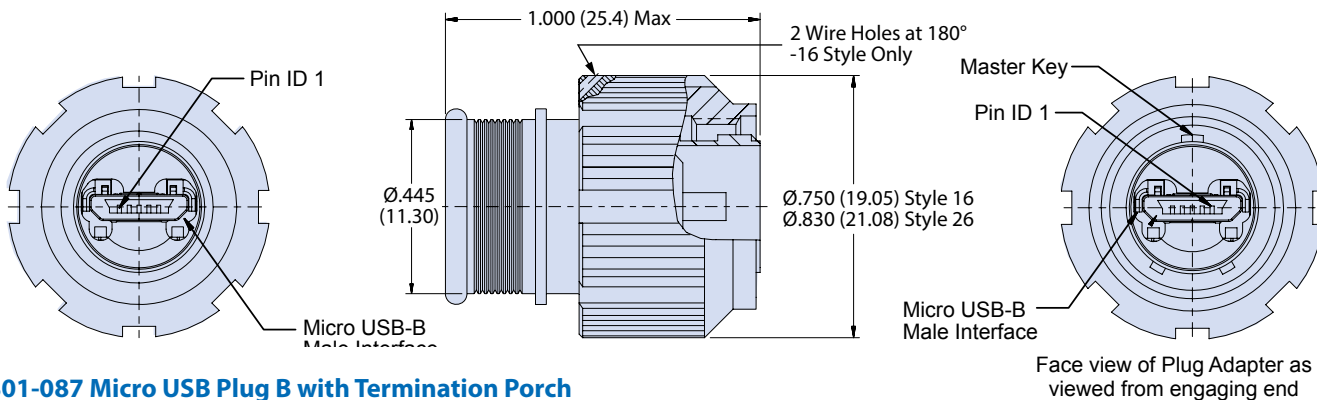
Mighty Mouse  
Micro USB



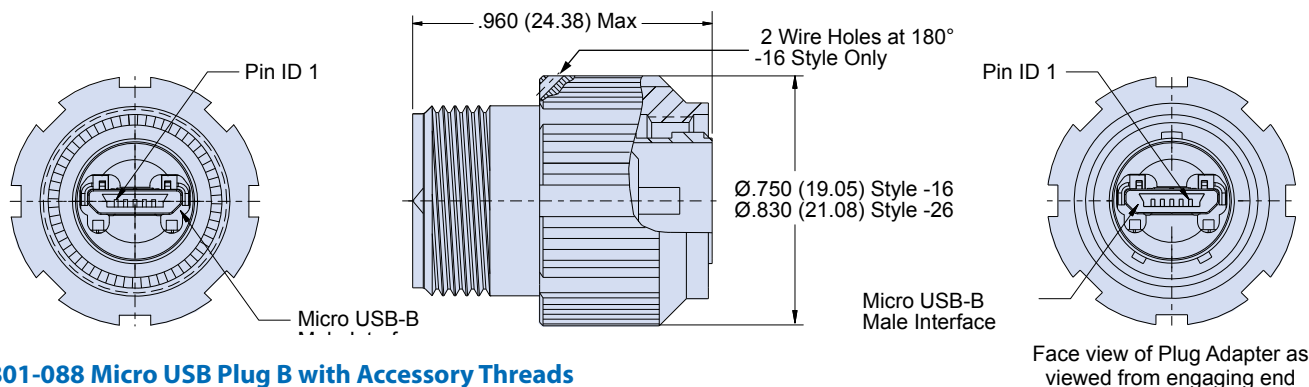
Plug, Micro B  
USB Front and  
Rear View

How To Order				
Sample Part Number	801-087	-02 MUSB	-M	A
Series (See Table I)	801-087 = Shield Termination Porch 801-088 = Accessory Threads			
Shell Style	16 = Plug with Anti-Decoupling Spring 26 = Self-Locking Plug with Ratchet Mechanism			
Shell Material and Finish	NF = Cadmium Olive Drab M = Electroless Nickel MT = Nickel PTFE ZNU = Black Zinc Nickel			
Shell Key Positions	A, B, C, D, E, F			

## These Plugs Mate with Glenair Receptacles 801-084 and 801-085



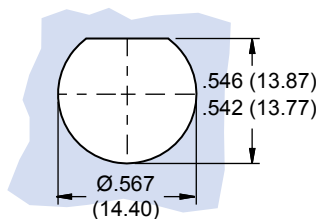
### 801-087 Micro USB Plug B with Termination Porch



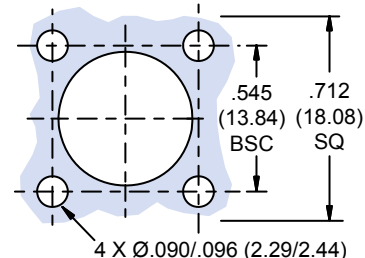
### 801-088 Micro USB Plug B with Accessory Threads

Plug Key Positions (Receptacle Positions Mirrored)		
	A°	B°
A	150°	210°
B	75°	210°
C	95°	230°
D	140°	275°
E	75°	275°
F	95°	210°

#### Jam Nut Cut-out



#### Square Flange Cut-out



Dimensions in Inches (millimeters) are subject to change without notice.