



SuperSeal™ Mighty Mouse Series 801 Receptacles

with Front and Rear Micro “AB” USB Receptacles
801-089 and 801-090 Ordering Information



Inline Receptacle



Jam Nut Receptacle



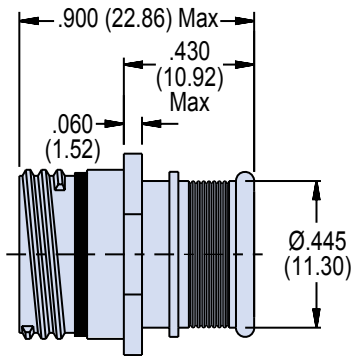
Square Flange Receptacle



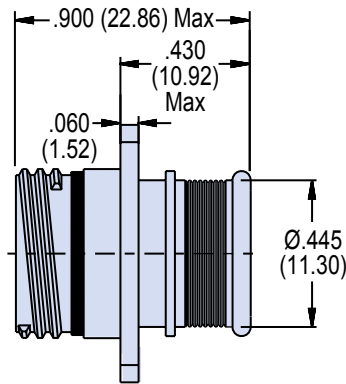
Equipped with Micro AB USB Receptacles, Front and Rear

How To Order				
Sample Part Number	801-089	-02 MUSB	-M	A
Series (See Table I)	801-089 = Shield Termination Porch 801-090 = Accessory Threads			
Shell Style	01 = In Line Receptacle 02 = Square Flange Front or Rear Mount Receptacle 07 = Jam Nut Rear Mount Receptacle			
Shell Material and Finish	NF = Cadmium Olive Drab M = Electroless Nickel MT = Nickel PTFE ZNU = Black Zinc Nickel			
Shell Key Positions	A, B, C, D, E, F			

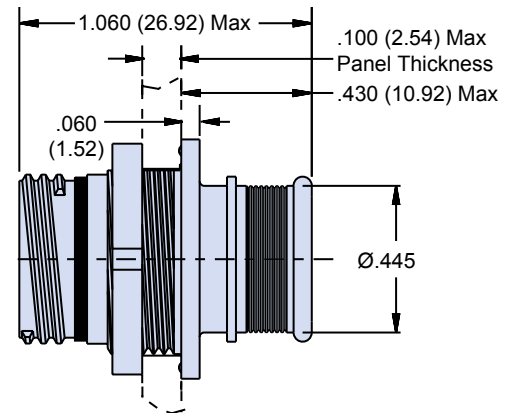
These Receptacle Connectors Mate with Glenair Plugs 801-082 and 801-083



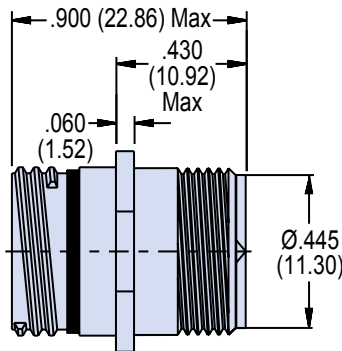
801-089-01 Inline



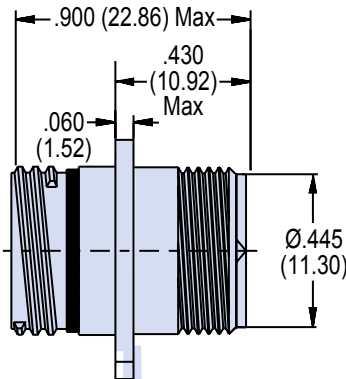
801-089-02 Square Flange Front or Rear Mount



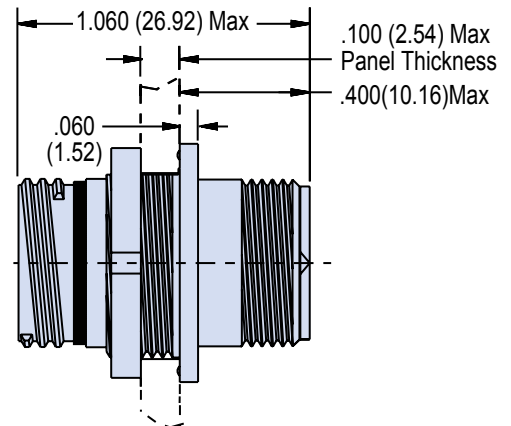
801-089-07 Jam Nut Rear Mount



801-090-01 Inline



801-090-02 Square Flange Front or Rear Mount



801-090-07 Jam Nut Rear Mount

Dimensions in Inches (millimeters) are subject to change without notice.