

SuperSeal™ Mighty Mouse Series 801

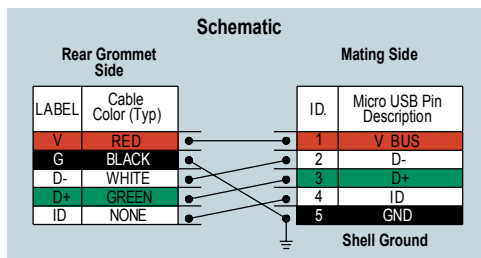
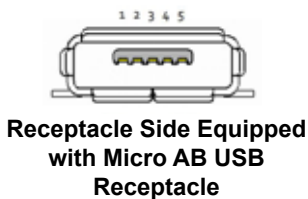
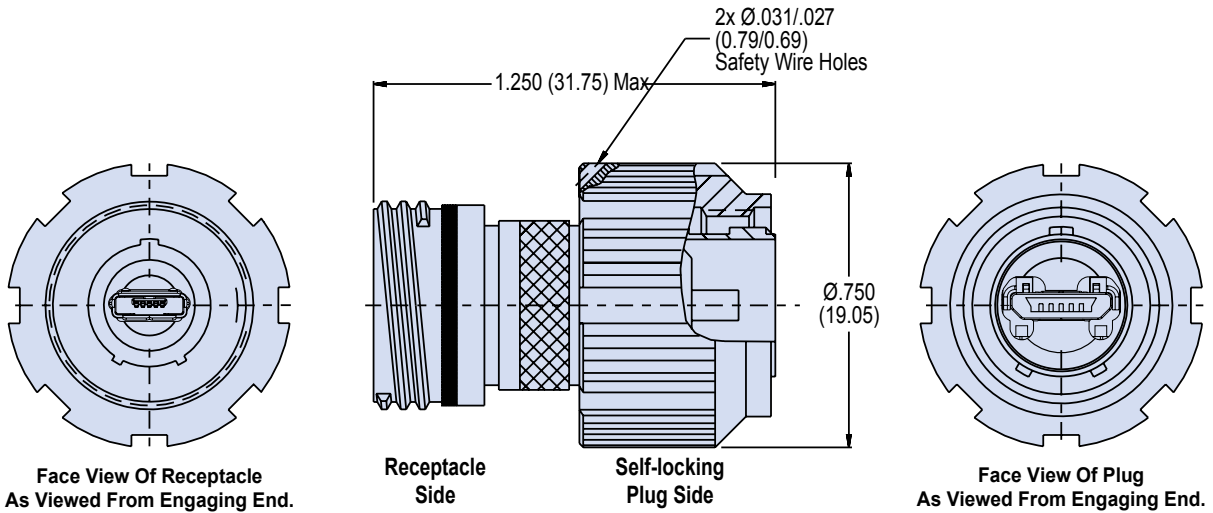
Sav-Con® Connector Saver with Micro “B” USB Plug and Micro “AB” USB Receptacle

801-091 Ordering Information



Mighty Mouse
Micro USB

How To Order			
Sample Part Number	801-091 -MUSB	-M	A
Series (See Table I)	801-091 = Plug/Receptacle Sav-Con® Connector Saver		
Shell Material and Finish	NF = Cadmium Olive Drab M = Electroless Nickel MT = Nickel PTFE ZNU = Black Zinc Nickel		
Shell Key Positions	A, B, C, D, E, F		



Alternate Key Positions		
	A°	B°
A	150°	210°
B	75°	210°
C	95°	230°
D	140°	275°
E	75°	275°
F	95°	210°

Dimensions in Inches (millimeters) are subject to change without notice.

