

Series 80 Mighty Mouse Size #16 Fiber Optic Termini 181-057 and 181-075



Size 16 fiber optic termini

Size 16 fiber optic termini are compatible with all Series 80 Mighty Mouse threaded coupling connectors with size 16 cavities. These snap-in, rear-release termini feature precision ceramic ferrules and sleeves for accurate fiber alignment. Typical insertion loss 0.5 dB. Fits 50/125 and 62.5/125 multi mode and 9/125 single mode fiber.



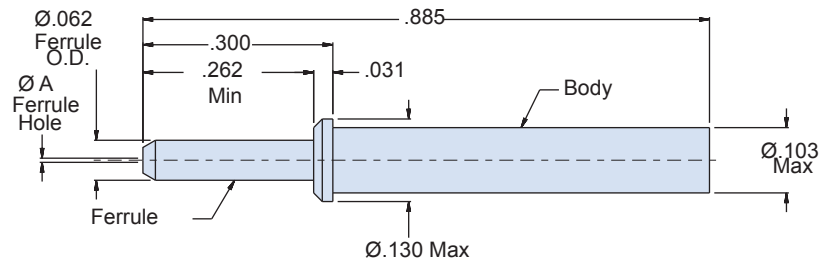
181-057 Pin Terminus



181-075 Socket Terminus

Termini Type	Optical Fiber Type	Part Number	A Ferrule I.D.
Pin	Single Mode	181-057-125	125.5 microns
	Multi Mode	181-057-126	126.0 microns
Socket	Single Mode	181-075-125	125.5 microns
	Multi Mode	181-075-126	126.0 microns

*Consult factory for additional sizes



181-057 Pin Terminus

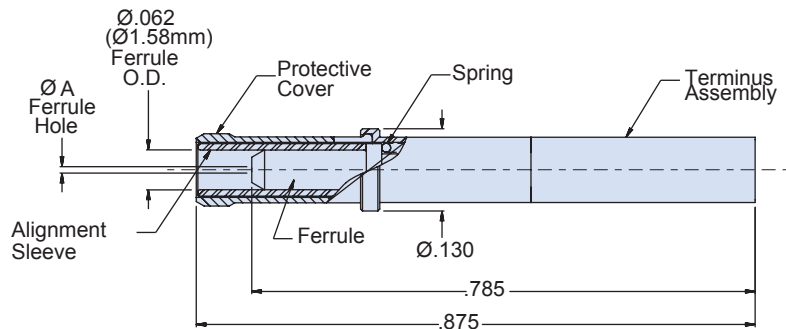
MATERIALS AND FINISHES

181-057 :

- Ferrule: zirconia ceramic
- Body: stainless steel, passivated

181-075:

- Ferrule, alignment sleeve: zirconia ceramic
- Terminus assembly: stainless steel/passivate
- Spring: stainless steel/passivate
- Protective cover: spring alloy/nickel
- Insertion/extraction Tool
- Standard size 16 plastic tool
- Glenair Part Number [809-131](#)
- Military Part Number M81969/14-03
- Consult factory for termination and assembly procedures/tools.



181-075 Socket Terminus

181-001-S	Ceramic Alignment Sleeve
181-075-C	Protective Cover

Optical Insertion Loss	0.5 dB typical
Operating Temperature	-65°C to +150°C/Connector -65°C to +200°C/Termini*
Mating Durability	TIA/EIA-455-21, 500 cycles (Per MIL-PRF-29504B)
*Depending on cable and epoxy used.	

Dimensions in Inches (millimeters) are subject to change without notice.