



Series 801 Mighty Mouse Double-Start ACME Threads Crimp Receptacle 801-009 and 801-010 - Ordering Information



In-Line
Shell Style 01



Rear Panel Jam Nut Mount
Shell Style 07



Square Flange Mount
Shell Style 02

W

How To Order						
Sample Part Number	801-010	-02	Z1	16-55	B	A
Series (See Table I)	801-009 Receptacle with Banding Platform 801-010 Receptacle with Accessory Thread					
Shell Style (See Table III)	-01 = In-Line Receptacle for Free-Hanging Cables -02 = Thru Hole Square Flange Receptacle for Front or Rear Panel Mounting -07 = Jam Nut Receptacle for Rear Panel Mounting -12 = Square Flange Receptacle for Rear Panel Mounting with "Non-Locking" Clinch Nuts -22 = Square Flange Receptacle for Rear Panel Mounting with "Locking" Clinch Nuts					
Material and Finish	M = Aluminum / Electroless Nickel RoHS Compliant MT = Aluminum / Nickel-PTFE RoHS Compliant NF = Aluminum / Cadmium with Olive Drab Chromate ZNU = Aluminum / Zinc-Nickel with Black Chromate Z1 = Stainless Steel / Passivated RoHS Compliant					
Shell Size - Insert Arr	See Insert Arrangements page W-3, W-6					
Contact Type	Connector supplied without termini. Please indicate pin or socket. A = Pin Connector, Less Termini B = Socket Connector, Less Termini					
Shell Key Positions (See Table II)	A = Normal B = Pos. B C = Pos. C D = Pos. D E = Pos. F F = Pos. F					

Table I: Series
 800-009 Banding Platform
 801-010 Rear Accessory Thread

Table II: Keyway Positions		
	A°	B°
A	150°	210°
B	75°	210°
C	95°	230°
D	140°	275°
E	75°	275°
F	95°	210°

Table III: Shell Style		
 Style-01 In-line	 Style-02, -12, -22 Square Flange	 Style-07 Jam Nut

Dimensions in Inches (millimeters) are subject to change without notice.

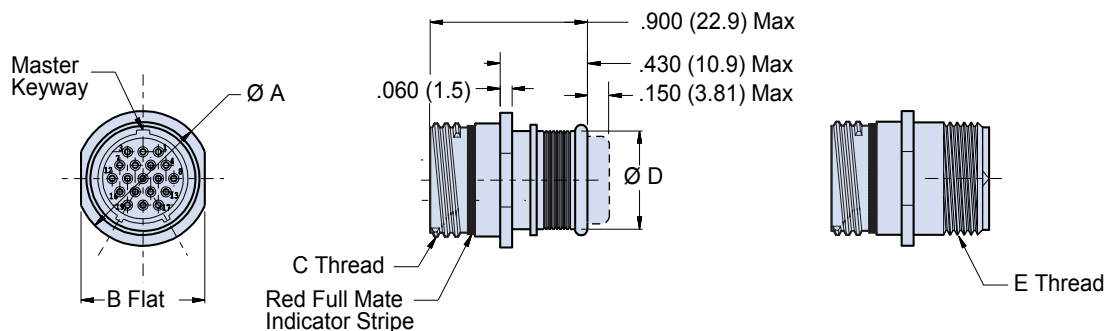
Series 801 Mighty Mouse Double-Start ACME Threads In-Line Receptacle

801-009-01 and 801-010-01 - Dimensions



Fiber Optic
Mighty Mouse

In-line receptacle- shell style 01



Integral Band Platform
801-009-01

Accessory Thread
801-010-01



Dimensions								
Shell Size	Ø A		B Flat		C Thread	Ø D		E Thread UNEF-2A
	In.	mm.	In.	mm.		In.	mm.	
5	.355	9.02	.325	8.13	.3125-.05P-.1L-DS-2A	.245	6.22	.2500-32
6	.415	10.54	.385	9.78	.3750-.05P-.1L-DS-2A	.290	7.37	.3125-32
7	.480	12.19	.445	11.30	.4375-.05P-.1L-DS-2A	.390	9.91	.4375-28
8	.540	13.72	.510	12.95	.5000-.05P-.1L-DS-2A	.445	11.30	.5000-28
9	.605	15.37	.575	14.61	.5625-.05P-.1L-DS-2A	.500	12.70	.5625-24
10	.665	16.89	.635	16.13	.6250-.05P-.1L-DS-2A	.560	14.22	.6250-24
11	.730	18.54	.700	17.78	.6875-.05P-.1L-DS-2A	.605	15.37	.6875-24
13	.855	21.72	.825	20.96	.8125-.1P-.2L-DS-2A	.650	16.51	.6875-24
16	1.040	26.42	1.010	25.65	1.0000-.1P-.2L-DS-2A	.805	20.45	.9375-20
17	1.110	28.19	1.070	27.18	1.0625-.1P-.2L-DS-2A	.850	21.59	.9375-20
19	1.243	31.57	1.191	30.25	1.1875-.1P-.2L-DS-2A	1.003	25.48	1.0625-18
21	1.375	34.93	1.312	33.32	1.3125-.1P-.2L-DS-2A	1.110	28.19	1.1875-18

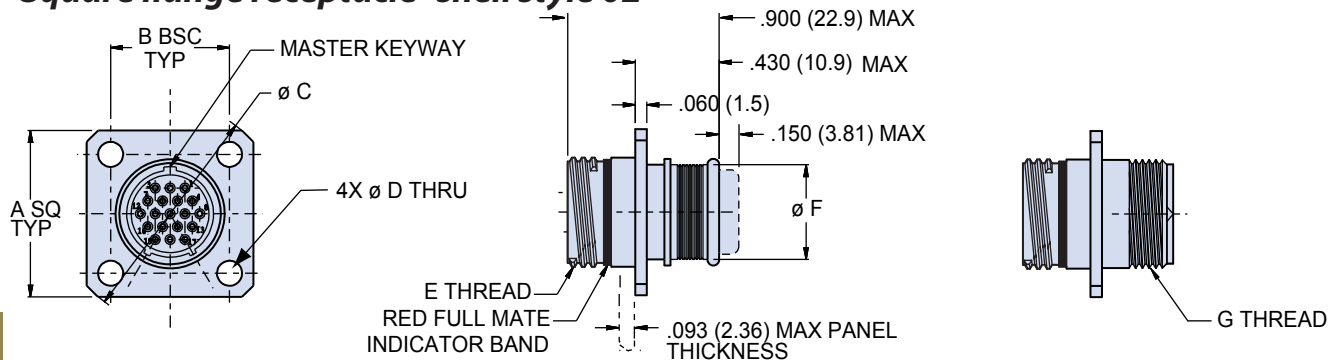
Dimensions in Inches (millimeters) are subject to change without notice.



Series 801 Mighty Mouse Double-Start ACME Threads Square Flange Receptacle

801-009-02 and 801-010-02 - Dimensions

Square flange receptacle- shell style 02



Integral Band Platform

801-009-02

Accessory Thread

801-010-02

Dimensions

Shell Size	A SQ		B BSC		ϕC		ϕD		E Thread	ϕF		G Thread UNEF-2A
	In.	mm.	In.	mm.	In.	mm.	In.	mm.		In.	mm.	
5	.530	13.46	.363	9.22	.680	17.27	.096	2.44	.3125-.05P-.1L-DS-2A	.245	6.22	.2500-32
6	.590	14.99	.423	10.74	.750	19.05			.3750-.05P-.1L-DS-2A	.290	7.37	.3125-32
7	.650	16.51	.483	12.27	.850	21.59			.4375-.05P-.1L-DS-2A	.390	9.91	.4375-28
8	.712	18.08	.545	13.84	.938	23.83			.5000-.05P-.1L-DS-2A	.445	11.30	.5000-28
9	.850	21.59	.607	15.42	1.125	28.58	.130 .126	3.30 3.20	.5625-.05P-.1L-DS-2A	.500	12.70	.5625-24
10	.890	22.61	.670	17.02	1.188	30.18			.6250-.05P-.1L-DS-2A	.560	14.22	.6250-24
11	.935	23.75	.715	18.16	1.250	31.75			.6875-.05P-.1L-DS-2A	.605	15.37	.6875-24
13	1.030	26.16	.812	20.62	1.375	34.93			.8125-.1P-.2L-DS-2A	.650	16.51	.6875-24
16	1.219	30.96	.981	24.92	1.625	41.28			1.0000-.1P-.2L-DS-2A	.805	20.45	.9375-20
17	1.280	32.51	1.060	26.92	1.700	43.18			1.0625-.1P-.2L-DS-2A	.850	21.59	.9375-20
19	1.432	36.37	1.191	30.25	1.900	48.26			1.1875-.1P-.2L-DS-2A	1.003	25.48	1.0625-18
21	1.565	39.75	1.322	33.58	2.100	53.34			1.3125-.1P-.2L-DS-2A	1.110	28.19	1.1875-18

Series 801 Panel Cutout

Shell Size	ϕA		B BSC		ϕC	
	In.	mm.	In.	mm.	In.	mm.
5	.328	8.33	.363	9.22	.096 .091	2.44 2.31
6	.390	9.91	.423	10.74		
7	.453	11.51	.483	12.27		
8	.515	13.08	.545	13.84		
9	.578	14.68	.607	15.42	.130 .126	3.30 3.20
10	.640	16.26	.670	17.02		
11	.703	17.86	.715	18.16		
13	.828	21.03	.812	20.62		
16	1.015	25.78	.981	24.92		
17	1.078	27.38	1.060	26.92		
19	1.203	30.56	1.191	30.25		
21	1.328	33.73	1.322	33.58		

Dimensions in Inches (millimeters) are subject to change without notice.

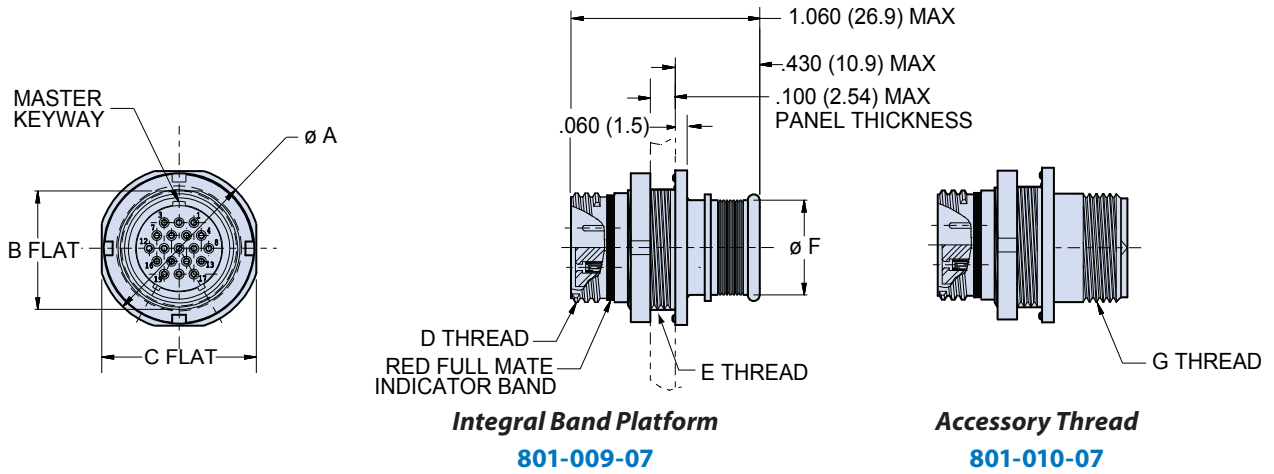
Series 801 Mighty Mouse Double-Start ACME Threads Jam Nut Receptacle

801-009-07 and 801-010-07 - Dimensions



Fiber Optic
Mighty Mouse

Jam nut, rear panel mount receptacle - shell style 07



Dimensions											
Shell Size	Ø A		B Flat		C Flat		D Thread	E Thread UN-2A	Ø F		G Thread UN-2A
	In.	mm.	In.	mm.	In.	mm.			In.	mm.	
5	.575	14.61	.350	8.89	.545	13.84	.3125-.05P-.1L-2A	.375-28	.245	6.22	.250-32
6	.635	16.13	.410	10.41	.595	15.11	.375-.05P-.1L-2A	.4375-28	.290	7.37	.3125-32
7	.755	19.18	.536	13.61	.723	18.36	.4375-.05P-.1L2A	.5625-32	.390	9.91	.4375-28
8	.755	19.18	.536	13.61	.723	18.36	.5000-.05P-.1L-2A	.5625-32	.445	11.30	.5000-28
9	.830	21.08	.596	15.14	.790	20.07	.5625-.05P-.1L-2A	.625-28	.500	12.70	.5625-24
10	.890	22.61	.658	16.71	.855	21.72	.6250-.05P-.1L-2A	.6875-28	.560	14.22	.6250-24
11	.960	24.38	.718	18.24	.925	23.50	.6875-.05P-.1L-2A	.7500-28	.605	15.37	.6875-24
13	1.078	27.38	.845	21.46	1.044	26.52	.8125-.1P-.2L-2A	.875-28	.650	16.51	.6875-24
16	1.264	32.11	1.022	25.96	1.230	31.24	1.000-.1P-.2L-2A	1.0625-20	.805	20.45	.9375-20
17	1.325	33.66	1.096	27.84	1.290	32.77	1.062-.1P-.2L-2A	1.125-28	.850	21.59	.9375-20
19	1.450	36.83	1.227	31.17	1.415	35.94	1.1875-.1P-.2L-2A	1.2500-28	1.003	25.48	1.0625-18
21	1.625	41.28	1.347	34.21	1.577	40.06	1.3125-.1P-.2L-2A	1.375-28	1.110	28.19	1.1875-18

Series 801 Jam Nut Panel Cutout				
Shell Size	A Flat		Ø B	
	In. ± .002	mm. ± 0.05	In. ± .002	mm. ± 0.05
5	.356	9.04	.385	9.78
6	.416	10.57	.447	11.35
7	.542	13.77	.572	14.53
8	.542	13.77	.572	14.53
9	.602	15.29	.635	16.13
10	.666	16.92	.697	17.70
11	.730	18.54	.760	18.44
13	.851	21.62	.885	22.48
16	1.028	26.11	1.075	27.31
17	1.102	27.99	1.135	28.83
19	1.243	31.57	1.260	32.00
21	1.354	34.39	1.385	35.18

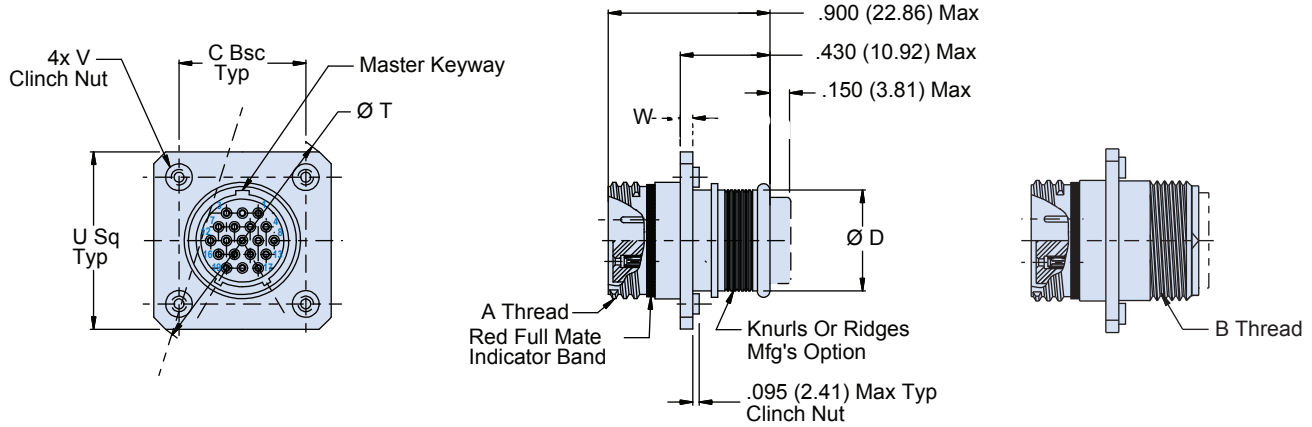
Dimensions in Inches (millimeters) are subject to change without notice.



Series 801 Mighty Mouse Double-Start ACME Threads Square Flange Receptacle

801-009-12 and 801-010-22 - Dimensions

Rear panel mount receptacle - shell style 12 and 22



Integral Band Platform 801-009-12 and 801-009-22

Accessory Thread 801-010-12 and 801-010-22

Dimensions							
Shell Size	A Thread	B Thread	C BSC	Ø T	U SQ	V Clinch Nut	W
5	.3125-.05P-.1L-DS-2A	.2500-32 UNEF-2A	0.363	0.774	0.623	2-56	0.030
6	.3750-.05P-.1L-DS-2A	.3125-32 UNEF-2A	0.423	0.860	0.683		
7	.4375-.05P-.1L-DS-2A	.4375-28 UNEF-2A	0.483	0.944	0.743		
8	.5000-.05P-.1L-DS-2A	.5000-28 UNEF-2A	0.545	1.032	0.805		
9	.5625-.05P-.1L-DS-2A	.5625-24 UNEF-2A	0.607	1.180	0.927	4-40	0.060
10	.6250-.05P-.1L-DS-2A	.6250-24 UNEF-2A	0.670	1.268	0.990		
11	.6875-.05P-.1L-DS-2A	.6875-24 UNEF-2A	0.715	1.331	1.035		
13	.8125-.1P-.2L-DS-2A	.6875-24 UNEF-2A	0.812	1.470	1.132		
16	1.0000-.1P-.2L-DS-2A	.9375-20 UNEF-2A	0.981	1.708	1.301		
17	1.0625-.1P-.2L-DS-2A	.9375-20 UNEF-2A	1.060	1.822	1.382		
19	1.1875-.1P-.2L-DS-2A	1.0625-18 UNEF-2A	1.191	2.006	1.511		
21	1.3125-.1P-.2L-DS-2A	1.1875-18 UNEF-2A	1.322	2.190	1.642		

Series 801 Front and Rear Mount Panel Cutout			
	G Bsc	H Holes	Ø R
	0.363		0.328
	0.423	0.096	0.390
	0.483	0.091	0.453
	0.545		0.515
	0.607		0.578
	0.670		0.640
	0.715		0.703
	0.812	0.130	0.828
	0.981	0.126	1.015
	1.060		1.078
	1.191		1.203
	1.322		1.328

NOTES

1. Grommet protrudes for power/ combo/#8 arrangements.
2. For all #8 arrangements, add .100" to length of banding platform.
3. For all #8 arrangements, add .340" to overall length.

Dimensions in Inches (millimeters) are subject to change without notice.