

# Series 802 "Aqua Mouse" Submersible Plug

## 802-008 and 802-009 - Ordering Information



Glenair's Series 802 Mighty Mouse connectors feature stainless steel or marine bronze shells with marine bronze coupling nuts to withstand corrosion in the most hostile environments, and are designed to accommodate (depending on insert arrangement) Glenair size 16 or 20HD fiber optic termini (termini sold separately.) Metal clips inside the connector body lock the termini into place. Termini are removable. Rated for 3500 PSI when mated, these connectors are suitable for the most demanding geophysical and underwater applications. Terminate cable shield directly to integral shield attachment platform with Band-Master™ strap, or choose rear accessory thread to attach optional backshell. 18 insert arrangements available for shell sizes 5 through 21.

| How To Order                              |  |            |           |             |          |          |
|---|--|------------|-----------|-------------|----------|----------|
| <b>Sample Part Number</b>                 | <b>802-009</b>   | <b>-06</b> | <b>Z1</b> | <b>9-19</b> | <b>A</b> | <b>A</b> |
| <b>Series (See Table I)</b>               | <b>802-008</b> = Plug with Banding/ Molding Platform<br><b>802-009</b> = Plug with Accessory Thread  |            |           |             |          |          |
| <b>Shell Style</b>                        | <b>-06</b> = Plug  |            |           |             |          |          |
| <b>Shell Material and Finish</b>          | <b>Z1</b> = Stainless Steel/Passivated RoHS Compliant<br><b>ZM</b> = Stainless Steel/ Electroless Nickel Plated<br><b>AB</b> = Marine Bronze |            |           |             |          |          |
| <b>Shell Size - Insert Arrangement</b>    | See Insert Arrangements page W-3, W-6  |            |           |             |          |          |
| <b>Contact Type</b>                       | <b>Connector Supplied without Termini.</b><br><b>A</b> = Pin Connector, Less Termini<br><b>B</b> = Socket Connector, Less Termini            |            |           |             |          |          |
| <b>Shell Key Positions (See Table II)</b> | <b>A</b> = Normal <b>B</b> = Pos. B <b>C</b> = Pos. C <b>D</b> = Pos. D <b>E</b> = Pos. E <b>F</b> = Pos. F                                  |            |           |             |          |          |



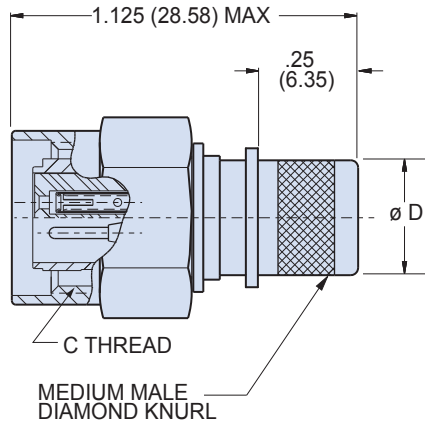
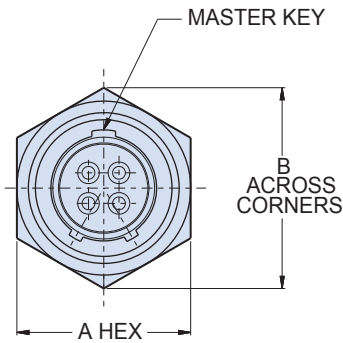
| Table I: Series  |  |
|--|--|
|  |  |
| <b>802-008</b><br>Hex Plug with Banding/Molding Platform | <b>802-009</b><br>Hex Plug with Accessory Thread |

| Table II: Key Positions |              |      |
|-------------------------|--------------|------|
|                         |              |      |
| Key Position            | Key Rotation |      |
|                         | A°           | B°   |
| Normal (A)              | 150°         | 210° |
| B                       | 75°          | 210° |
| C                       | 95°          | 230° |
| D                       | 140°         | 275° |
| E                       | 75°          | 275° |
| F                       | 95°          | 210° |

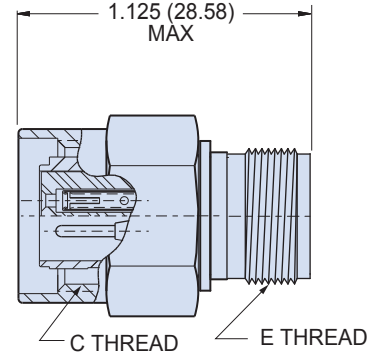
Dimensions in Inches (millimeters) are subject to change without notice.



## Series 802 “Aqua Mouse” Submersible Plug 802-008-06 and 802-009-06 Dimensions



**Integral Band Platform**  
**802-006**



**Accessory Thread**  
**802-009**

| Dimensions |       |       |        |       |                |       |       |                   |
|------------|-------|-------|--------|-------|----------------|-------|-------|-------------------|
| Shell Size | A Hex |       | B Max. |       | C              | Ø D   |       | E Threads         |
|            | In.   | mm.   | In.    | mm.   | Mating Threads | In.   | mm.   | Accessory         |
| 5          | .500  | 12.70 | .560   | 14.22 | .438-28 UNEF   | .232  | 5.90  | .2500-32 UNEF-2A  |
| 6          | .625  | 15.88 | .720   | 18.29 | .562-20 UN     | .312  | 7.92  | .3125-32 UNEF-2A  |
| 7          | .688  | 17.48 | .780   | 19.81 | .625-20 UN     | .375  | 9.53  | .4375-28 UNEF-2A  |
| 8          | .750  | 19.05 | .860   | 21.84 | .687-20 UN     | .438  | 11.13 | .5000-28 UNEF-2A  |
| 9          | .812  | 20.62 | .930   | 23.62 | .750-20 UNEF   | .500  | 12.70 | .5625-24 UNEF-2A  |
| 10         | .875  | 22.23 | 1.000  | 25.40 | .812-20 UNEF   | .562  | 14.27 | .6250-24 UNEF-2A  |
| 12         | .938  | 23.83 | 1.060  | 26.92 | .875-20 UNEF   | .656  | 16.66 | .6875-24 UNEF-2A  |
| 14         | 1.125 | 28.58 | 1.250  | 31.75 | 1.062-20 UN    | .812  | 20.62 | .8750-20 UNEF-2A  |
| 15         | 1.188 | 30.18 | 1.320  | 33.53 | 1.125-20 UN    | .885  | 22.40 | .9375-20 UNEF-2A  |
| 21         | 1.562 | 39.67 | 1.700  | 43.18 | 1.437-20 UN    | 1.188 | 30.18 | 1.2500-18 UNEF-2A |

Dimensions in Inches (millimeters) are subject to change without notice.