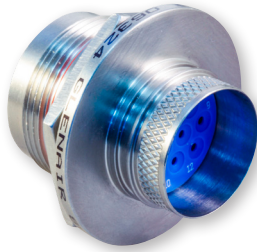
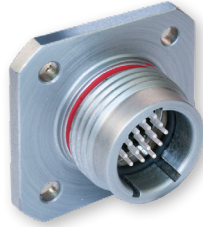


# Series 802 "Aqua Mouse" Submersible Receptacle

## 802-010 and 802-011 Ordering Information



Jam Nut, Rear Mount



Square Flange

**Three Shell Mounting Options:** Jam nut with o-ring for rear panel mounting, square flange for front panel mounting, or in-line receptacles for free-hanging cables.

**Two Shell Styles:** Choose the integral band platform for direct attachment of a cable shield. Install a boot, or overmold a boot over the band platform. An accessory thread is available for attaching strain reliefs and backshells.

How To Order	
<b>Sample Part Number</b>	<b>802-011 -02 Z1 10-26 P B</b>
<b>Series (See Table I)</b>	<b>802-010</b> Receptacle with Banding Platform <b>802-011</b> Receptacle with Accessory Thread
<b>Shell Style (See Table II)</b>	<b>-01</b> = In-Line <b>-02</b> = Square Flange for Front Panel Mounting <b>-07</b> = Jam Nut for Rear Panel Mounting
<b>Shell Material and Finish</b>	<b>Z1</b> = Stainless Steel/Passivated RoHS Compliant <b>ZM</b> = Stainless Steel/Electroless Nickel Plated <b>AB</b> = Marine Bronze/Unplated
<b>Shell Size - Insert Arrangement</b>	See Contact Arrangements Page W-3, W-6
<b>Contact Type</b>	<b>Connector supplied without termini. Please indicate pin or socket.</b> <b>A</b> = Pin Connector, less termini <b>B</b> = Socket Connector, less termini
<b>Shell Key Positions (See Table III)</b>	<b>A</b> = Normal <b>B</b> = Pos. B <b>C</b> = Pos. C <b>D</b> = Pos. D <b>E</b> = Pos. E <b>F</b> = Pos. F

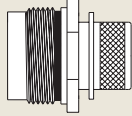
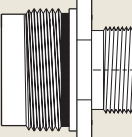
Table I: Series
 <b>802-010</b> Receptacle with Banding Platform
 <b>802-011</b> Receptacle with Accessory Thread

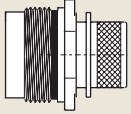
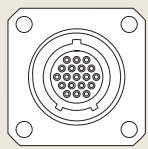
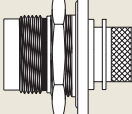
Table II: Shell Style		
 <b>-01</b> In-Line	 <b>-02</b> Square Flange	 <b>-07</b> Jam Nut for Rear Panel Mounting

Table III: Keyway Positions		
	A°	B°
<b>A</b>	150°	210°
<b>B</b>	75°	210°
<b>C</b>	95°	230°
<b>D</b>	140°	275°
<b>E</b>	75°	275°
<b>F</b>	95°	210°

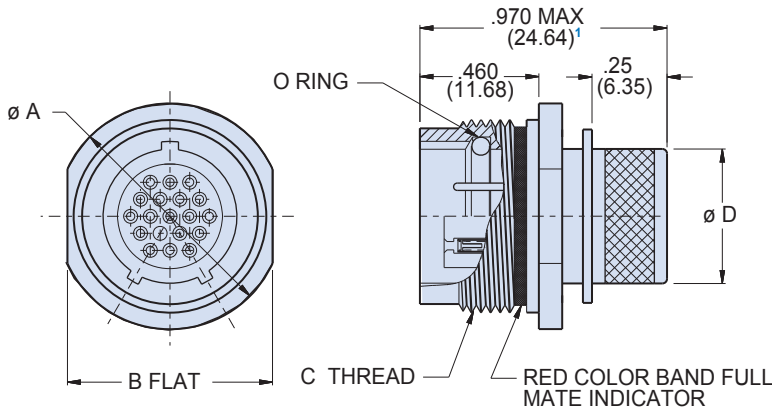
Dimensions in Inches (millimeters) are subject to change without notice.



# Series 802 "Aqua Mouse" Submersible In-Line Receptacle

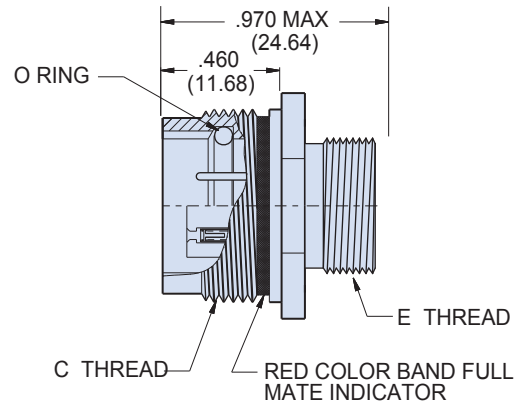
802-010-01 and 802-011-01 Dimensions

## In-line cable receptacle - shell style 01



IN-LINE RECEPTABLE WITH  
INTEGRAL BAND PLATFORM  
802-010

**Integral Band Platform**  
**802-010**



IN-LINE RECEPTACLE WITH  
ACCESSORY THREAD  
802-011

**Accessory Thread**  
**802-011**

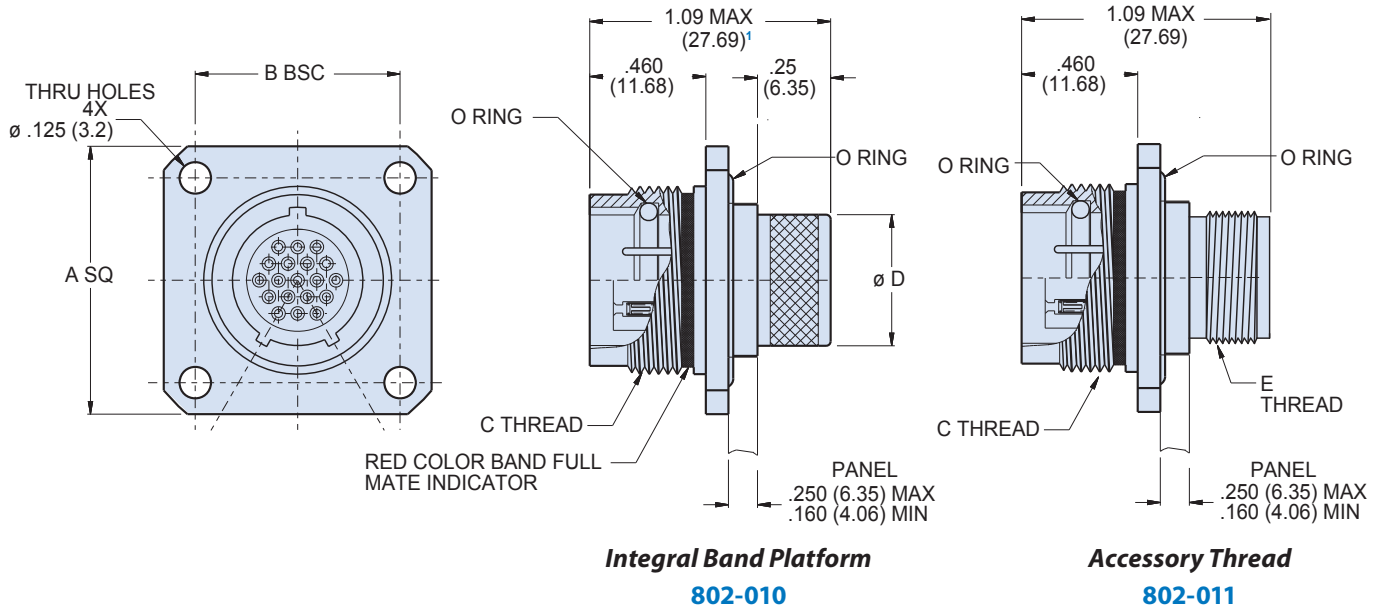
Dimensions								
Shell Size	Ø A		B Flats		C Mating Threads	Ø D		E Accessory Threads
	In.	mm.	In.	mm.		In.	mm.	
5	.560	14.22	.500	12.70	.438-28 UNEF	.232	5.90	.2500-32 UNEF-2A
6	.720	18.29	.625	15.88	.562-20 UN	.312	7.92	.3125-32 UNEF-2A
7	.780	19.81	.688	17.48	.625-20 UN	.375	9.53	.4375-28 UNEF-2A
8	.860	21.84	.750	19.05	.687-20 UN	.438	11.13	.5000-28 UNEF-2A
9	.930	23.62	.812	20.62	.750-20 UNEF	.500	12.70	.5625-24 UNEF-2A
10	1.000	25.40	.875	22.23	.812-20 UNEF	.562	14.27	.6250-24 UNEF-2A
12	1.060	26.92	.938	23.83	.875-20 UNEF	.656	16.66	.6875-24 UNEF-2A
14	1.250	31.75	1.125	28.58	1.062-20 UN	.812	20.62	.8750-20 UNEF-2A
15	1.320	33.53	1.188	30.18	1.125-20 UN	.885	22.40	.9375-20 UNEF-2A
21	1.690	42.93	1.562	39.67	1.4375-20 UN	1.188	30.18	1.2500-20 UNEF-2A

Dimensions in Inches (millimeters) are subject to change without notice.

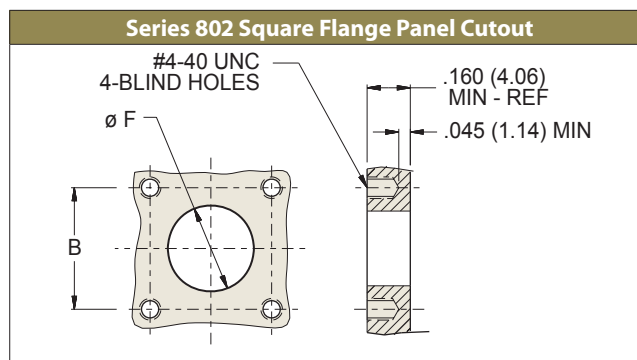
# Series 802 "Aqua Mouse" Submersible Square Flange Receptacle 802-010-02 and 802-011-02 Dimensions



## Square flange, front panel mount receptacle - shell style 02



Dimensions										
Shell Size	A Square		B Bsc.		C Mating Threads	Ø D		E Accessory Threads	Ø F	
	In.	mm.	In.	mm.		In.	mm.		In.	mm.
5	.885	22.48	.500	12.70	.438-28 UNEF	.232	5.90	.2500-32 UNEF-2A	.327	8.31
6	1.010	25.65	.625	15.88	.562-20 UN	.312	7.92	.3125-32 UNEF-2A	.390	9.91
7	1.072	27.23	.688	17.48	.625-20 UN	.375	9.53	.4375-28 UNEF-2A	.515	13.08
8	1.135	28.83	.750	19.05	.687-20 UN	.438	11.13	.5000-28 UNEF-2A	.577	14.66
9	1.195	30.35	.812	20.62	.750-20 UNEF	.500	12.70	.5625-24 UNEF-2A	.640	16.26
10	1.260	32.00	.875	22.23	.812-20 UNEF	.562	14.27	.6250-24 UNEF-2A	.702	17.83
12	1.322	33.58	.938	23.83	.875-20 UNEF	.656	16.66	.6875-24 UNEF-2A	.765	19.43
14	1.510	38.25	1.125	28.58	1.062-20 UN	.812	20.62	.8750-20 UNEF-2A	.953	24.21
15	1.573	39.95	1.188	30.18	1.125-20 UN	.885	22.40	.9375-20 UNEF-2A	1.015	25.78
21	1.750	44.45	1.375	34.93	1.4375-20 UN	1.188	30.18	1.2500-20 UNEF-2A	1.312	33.32

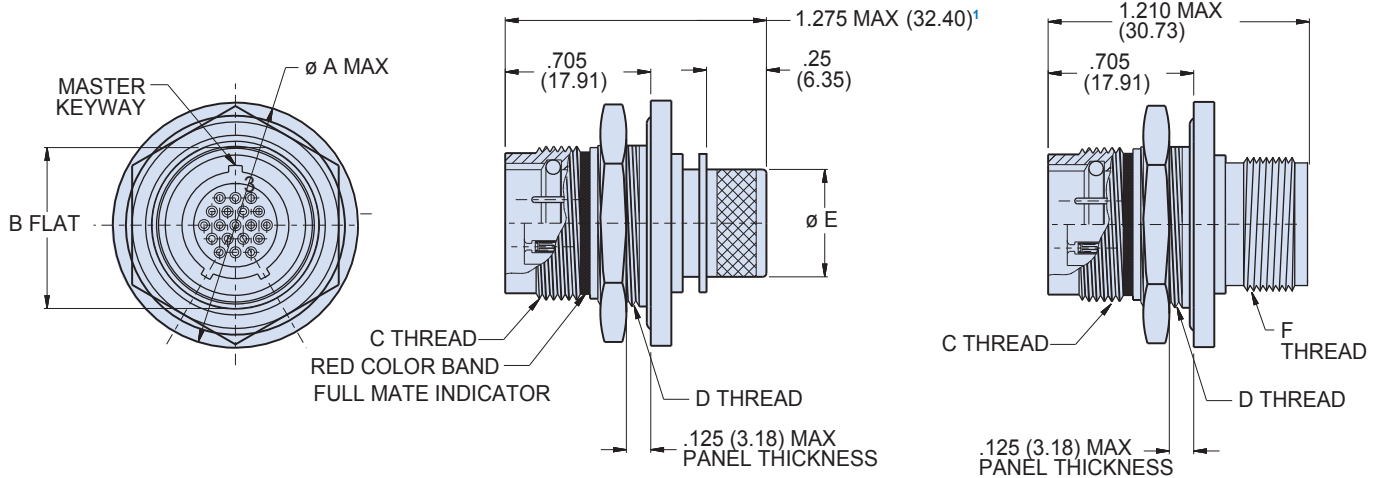


Dimensions in Inches (millimeters) are subject to change without notice.



## Series 802 "Aqua Mouse" Submersible 802-010-07 and 802-011-07 Dimensions

### Jam nut, rear panel mount receptacle - shell style 07

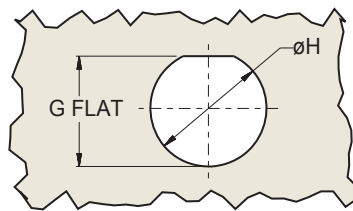


**Integral Band Platform**  
**802-010**

**Accessory Thread**  
**802-011**

#### Dimensions

Shell Size	A Max.		B Flat		C Mating Threads	D Jam Nut Threads	Ø E		F Accessory Threads	G Flat		Ø H	
	In.	mm.	In. ± .003	mm. ± 0.08			In.	mm.		In. ± .003	mm. ± 0.08	In.	mm.
5	.885	22.48	.466	11.84	.438-28 UNEF	.500-32 UN-2A	.232	5.90	.2500-32 UNEF-2A	.477	12.12	.510	12.95
6	1.010	25.65	.591	15.01	.562-20 UN	.625-28 UN-2A	.312	7.92	.3125-32 UNEF-2A	.602	15.29	.635	16.13
7	1.072	27.23	.653	16.59	.625-20 UN	.687-28 UN-2A	.375	9.53	.4375-28 UNEF-2A	.664	16.87	.697	17.70
8	1.135	28.83	.716	18.19	.687-20 UN	.750-28 UN-2A	.438	11.13	.5000-28 UNEF-2A	.727	18.47	.760	19.30
9	1.195	30.35	.778	19.76	.750-20 UNEF	.812-28 UN-2A	.500	12.70	.5625-24 UNEF-2A	.789	20.04	.822	20.88
10	1.260	32.00	.827	21.01	.812-20 UNEF	.875-28 UN-2A	.562	14.27	.6250-24 UNEF-2A	.838	21.29	.885	22.48
12	1.322	33.58	.890	22.61	.875-20 UNEF	.938-28 UN-2A	.656	16.66	.6875-24 UNEF-2A	.901	22.89	.948	24.08
14	1.510	38.25	1.077	27.36	1.062-20 UN	1.125-28 UN-2A	.812	20.62	.8750-20 UNEF-2A	1.088	27.64	1.135	28.83
15	1.572	39.93	1.140	28.96	1.125-20 UN	1.188-28 UN-2A	.885	22.40	.9375-20 UNEF-2A	1.151	29.24	1.198	30.43
21	1.940	49.28	1.464	37.19	1.4375-20 UN	1.500-28 UN-2A	1.188	30.18	1.2500-20 UNEF-2A	1.473	37.41	1.510	39.12



RECOMMENDED PANEL CUTOUT

Dimensions in Inches (millimeters) are subject to change without notice.