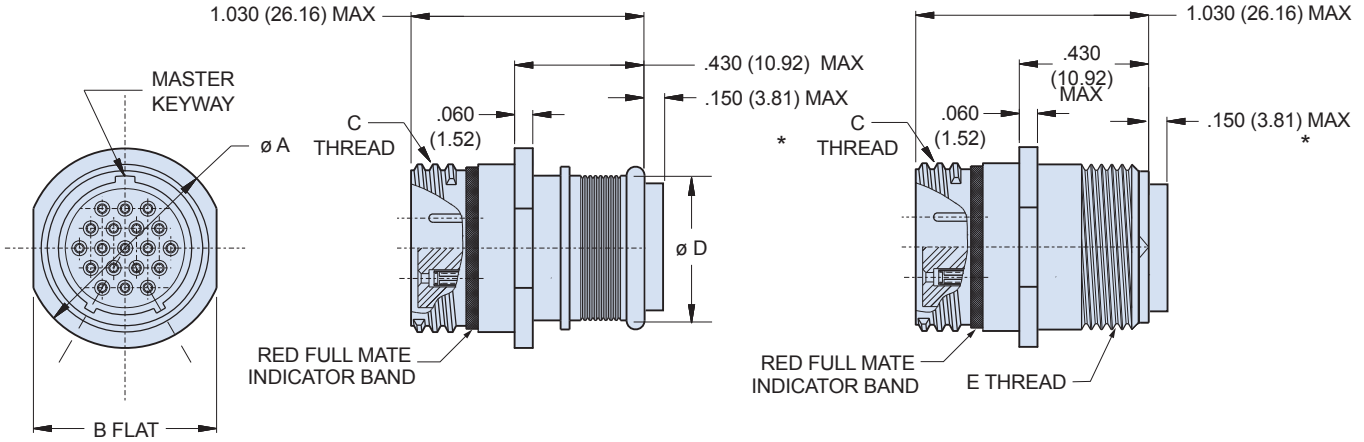




Series 805 Mighty Mouse Triple-Start In-line Receptacle

805-003-01 and 805-004-01 Dimensions

In-line cable receptacle - shell style 01



*Grommet protrudes for power/combo arrangements

Dimensions								
Shell Size	Ø A		B		C Threads	Ø D		E Threads Accessory
	In.	mm.	In.	mm.		In.	mm.	
8	.540	13.72	.510	12.95	.5000-.1P-.3L-TS-2A	.316	8.05	.3750-32 UNEF-2A
9	.605	15.37	.575	14.61	.5625-.1P-.3L-TS-2A	.397	10.08	.4375-28 UNEF-2A
10	.668	16.96	.638	16.21	.6250-.1P-.3L-TS-2A	.472	12.01	.5000-28 UNEF-2A
11	.730	18.54	.700	17.78	.6875-.1P-.3L-TS-2A	.519	13.18	.5625-24 UNEF-2A
12	.793	20.14	.763	19.38	.7500-.1P-.3L-TS-2A	.585	14.86	.6250-24 UNEF-2A
15	.980	24.89	.950	24.13	.9375-.1P-.3L-TS-2A	.687	17.45	.7500-20 UNEF-2A
18	1.165	29.59	1.135	28.83	1.1250-.1P-.3L-TS-2A	.884	22.45	.9375-20 UNEF-2A
19	1.235	31.37	1.205	30.61	1.1875-.1P-.3L-TS-2A	.884	22.45	.9375-20 UNEF-2A
23	1.485	37.72	1.455	36.96	1.4375-.1P-.3L-TS-2A	1.134	28.80	1.1875-18 UNEF-2A

Performance Specifications	
Operating Temperature	-55° C. to +150° C.
Immersion, Mated	MIL-STD-810 Method 512. One Meter for One Hour.
EMI	65 dB Minimum from 1 GHz. to 10 GHz.

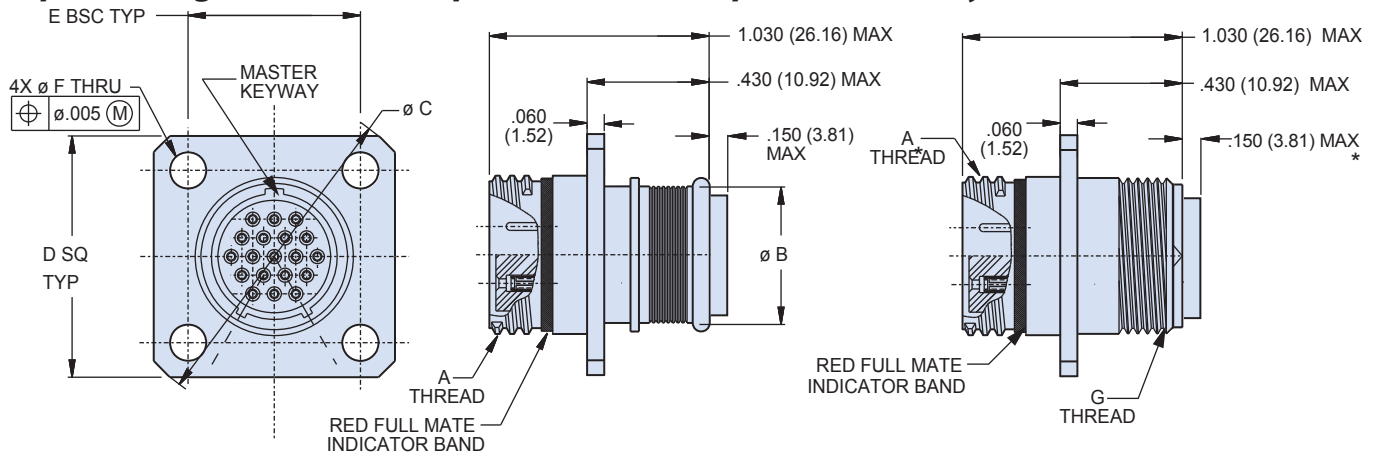
Materials and Finishes	
Connector Shell	Aluminum or Stainless Steel
Insulator	High grade rigid dielectric
Seals	Fluorosilicone Rubber, Blue
Contact Retainer Clip	Copper alloy, Unplated

Dimensions in Inches (millimeters) are subject to change without notice.

Series 805 Mighty Mouse Triple-Start Square Flange Receptacle 805-003-02 and 805-004-02 Dimensions



Square flange, front or rear panel mount receptacle - shell style 02



*Grommet protrudes for power/combo arrangements

Dimensions												
Shell Size	A		B		ϕ C		ϕ D		E Threads	ϕ F		G Threads Accessory
	In.	mm.	In.	mm.	In.	mm.	\pm .003	\pm .08		In.	mm.	
8	.850	21.59	.660	16.76	1.150	29.21	.094	2.39	.5000-.1P-.3L-TS-2A	.316	8.05	.3750-32 UNEF-2A
9	.913	23.19	.723	18.36	1.230	31.24	.094	2.39	.5625-.1P-.3L-TS-2A	.397	10.08	.4375-28 UNEF-2A
10	.975	24.77	.785	19.94	1.330	33.78	.094	2.39	.6250-.1P-.3L-TS-2A	.472	12.01	.5000-28 UNEF-2A
11	1.039	26.39	.848	21.54	1.410	35.81	.094	2.39	.6875-.1P-.3L-TS-2A	.519	13.18	.5625-24 UNEF-2A
12	1.099	27.91	.909	23.09	1.500	38.10	.094	2.39	.7500-.1P-.3L-TS-2A	.585	14.86	.6250-24 UNEF-2A
15	1.288	32.74	1.058	26.87	1.750	44.45	.128	3.25	.9375-.1P-.3L-TS-2A	.687	17.45	.7500-20 UNEF-2A
18	1.475	37.47	1.255	31.88	2.000	50.80	.128	3.25	1.1250-.1P-.3L-TS-2A	.884	22.45	.9375-20 UNEF-2A
19	1.537	71.06	1.327	33.71	2.094	53.19	.128	3.25	1.1875-.1P-.3L-TS-2A	.884	22.45	.9375-20 UNEF-2A
23	1.787	45.39	1.570	39.88	2.440	61.98	.128	3.25	1.4375-.1P-.3L-TS-2A	1.134	28.80	1.1875-18 UNEF-2A

Performance Specifications	
Operating Temperature	-55° C. to +150° C.
Immersion, Mated	MIL-STD-810 Method 512. One Meter for One Hour.
EMI	65 dB Minimum from 1 GHz. to 10 GHz.

Materials and Finishes	
Connector Shell	Aluminum or Stainless Steel
Insulator	High grade rigid dielectric
Seals	Fluorosilicone Rubber, Blue
Contact Retainer Clip	Copper alloy, Unplated

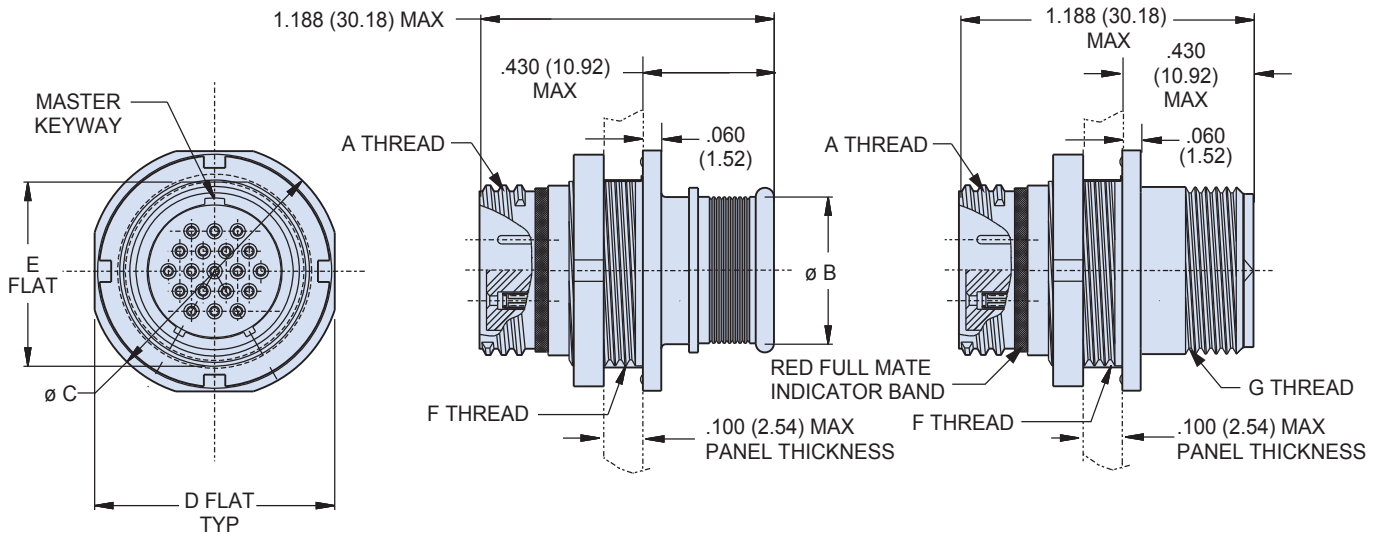
Dimensions in Inches (millimeters) are subject to change without notice.



Series 805 Mighty Mouse Triple-Start Jam Nut Receptacle

805-003-07 and 805-004-07 Dimensions

Jam nut, rear panel mount receptacle - shell style 07



Dimensions

Shell Size	Ø A		B		C		D Threads	Ø E		F Threads	G Threads Accessory
	In.	mm.	In.	mm.	In.	mm.		In.	mm.		
8	.760	19.30	.535	13.59	.730	18.54	.5000-1P-.3L-TS-2A	.317	8.05	.5625-28 UNEF-2A	.3750-32 UNEF-2A
9	.880	22.35	.661	16.79	.850	21.59	.5625-1P-.3L-TS-2A	.397	10.08	.6875-28 UN-2A	.4375-28 UNEF-2A
10	.880	22.35	.661	16.79	.850	21.59	.6250-1P-.3L-TS-2A	.473	12.01	.6875-28 UN-2A	.5000-28 UNEF-2A
11	.955	24.26	.721	18.31	.925	23.50	.6875-1P-.3L-TS-2A	.519	13.18	.7500-28 UN-2A	.5625-24 UNEF-2A
12	1.060	26.92	.784	19.91	1.035	26.29	.7500-1P-.3L-TS-2A	.585	14.86	.8125-28 UN-2A	.6250-24 UNEF-2A
15	1.203	30.56	.970	24.64	1.173	29.79	.9375-1P-.3L-TS-2A	.687	17.45	1.0000-28 UN-2A	.7500-20 UNEF-2A
18	1.389	35.28	1.147	29.13	1.359	34.52	1.1250-1P-.3L-TS-2A	.884	22.45	1.1875-28 UN-2A	.9375-20 UNEF-2A
19	1.450	36.83	1.221	31.01	1.420	36.07	1.1875-1P-.3L-TS-2A	.884	22.45	1.2500-28 UN-2A	.9375-20 UNEF-2A
23	1.705	43.31	1.470	37.34	1.675	42.55	1.4375-1P-.3L-TS-2A	1.134	28.80	1.500-25 UN-2A	1.1875-18 UNEF-2A

Panel Cutout For Jam Nut Receptacle

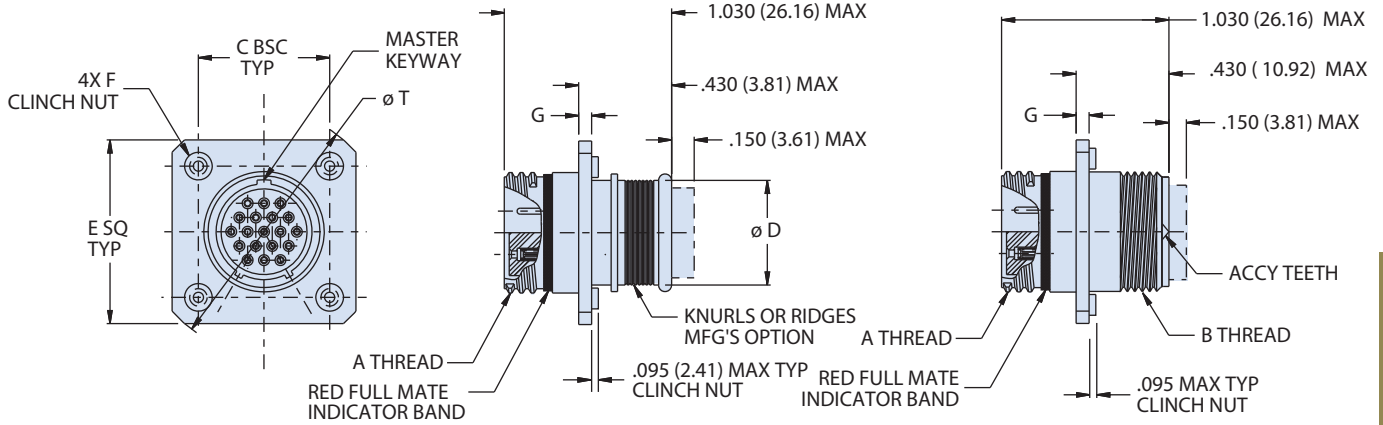
Shell Size	A Flat		Ø B	
	In. ± .002	mm. ± 0.05	In. ± .005	mm. ± 0.13
8	.545/.541	13.84/13.74	.572/.567	14.53/14.40
9	.671/.667	17.04/16.94	.698/.693	17.73/17.60
10	.671/.667	17.04/16.94	.698/.693	17.73/17.60
11	.731/.727	18.57/18.47	.760/.755	19.30/19.18
12	.794/.790	20.17/20.07	.822/.817	20.88/20.75
15	.982/.976	24.94/24.79	1.010/1.006	25.65/25.55
18	1.157/1.153	29.39/29.29	1.198/1.193	30.43/30.30
19	1.231/1.227	31.27/31.17	1.260/1.255	32.00/31.88
23	1.480/1.476	37.60/37.49	1.510/1.505	38.54/38.23

Dimensions in Inches (millimeters) are subject to change without notice.

Series 805 Mighty Mouse Triple-Start Square Flange, Clinch Nut Receptacle
805-003-12/22 and 805-004-12/22 Dimensions



Square flange, rear panel mount receptacle with clinch nut - shell style 12/22

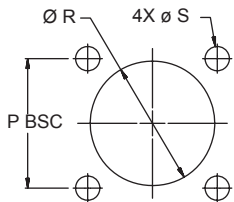


Band Platform
805-003

Accessory Thread
805-004

Dimensions										
Shell Size	A Thread	B Thread	C BSC		ø D		E SQ		F Clinch Nuts	G
			in.	mm.	in.	mm.	in.	mm.		
8	.5000-.1P-.3L-TS-2A	.3750-32 UNEF-2A	0.660	16.76	1.194	30.33	0.920	23.37	2-56	.030
9	.5625-.1P-.3L-TS-2A	.4375-28 UNEF-2A	0.723	18.36	1.283	32.59	0.983	24.97		
10	.6250-.1P-.3L-TS-2A	.5000-28 UNEF-2A	0.785	19.94	1.371	34.82	1.045	26.54		
11	.6875-.1P-.3L-TS-2A	.5625-24 UNEF-2A	0.848	21.54	1.460	37.08	1.104	28.04		
12	.7500-.1P-.3L-TS-2A	.6250-24 UNEF-2A	0.909	23.09	1.546	39.27	1.169	29.69		
13	.8125-.1P-.3L-TS-2A	.6875-24 UNEF-2A	0.973	24.71	1.637	41.58	1.233	31.32		
15	.9375-.1P-.3L-TS-2A	.7500-20 UNEF-2A	1.058	26.87	1.817	46.15	1.378	35.00		
18	1.1250-.1P-.3L-TS-2A	.9375-20 UNEF-2A	1.255	31.88	2.096	53.24	1.575	40.01	4-40	.060
19	1.1875-.1P-.3L-TS-2A	.9375-20 UNEF-2A	1.327	33.71	2.197	55.80	1.647	41.83		
21	1.3125-.1P-.3L-TS-2A	1.0625-18 UNEF-2A	1.452	36.88	2.380	60.45	1.772	45.01		
23	1.4375-.1P-.3L-TS-2A	1.1875-18 UNEF-2A	1.570	39.88	2.541	64.54	1.890	48.01		

Square Flange Panel Cut Out Dimensions													
Shell Size	P Bsc		ø R		ø S		Shell Size	P Bsc		ø R		ø S	
	In.	mm.	In.	mm.	In.	mm.		In.	mm.	In.	mm.	In.	mm.
8	0.660	16.76	.515	13.08	.096	2.43	15	1.058	26.87	.953	24.21	.130	3.30
9	0.723	18.36	.578	14.68			18	1.255	31.88	1.140	28.96		
10	0.785	19.94	.640	16.26			19	1.327	33.71	1.203	30.56		
11	0.848	21.54	.703	17.86			21	1.452	36.88	1.328	33.73		
12	0.909	23.09	.765	19.43			23	1.570	39.88	1.453	36.91		
13	0.973	24.71	.828	21.03									



Dimensions in Inches (millimeters) are subject to change without notice.