

# Series 80 Mighty Mouse Shorting Cap with Rotatable Coupling and Attachment 340MS001 Ordering Information



**Shorting Applications** — These caps are used to cover up exposed wires on the back of a shorting connector. Shorting connectors are used to protect critical circuits from static discharge.

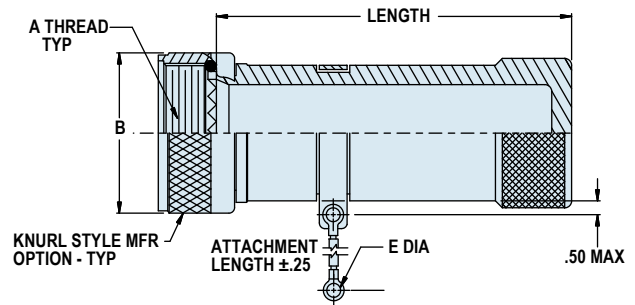
These extended plugs can also re-route circuits in **Switching** applications like our smaller plugs, but accommodate the need for additional resistors and active electronics when needed.

How To Order	
<b>Sample Part Number</b>	<b>340MS001 M 12 -5 E A</b>
<b>Series</b>	<b>340MS001</b> Straight Backshell and Shorting Cap
<b>Shell Material and Finish</b>	<b>C</b> = Aluminum / Black Anodize (Non-Conductive) RoHS Compliant <b>M</b> = Aluminum / Electroless Nickel <b>NF</b> = Aluminum / Cadmium with Olive Drab <b>ZN</b> = Aluminum / Zinc-Nickel with Olive Drab Chromate <b>ZNU</b> = Aluminum / Zinc-Nickel with Black Chromate <b>Z1</b> = Stainless Steel / Passivated
<b>Size Code (See Table II)</b>	<b>05, 06, 07, 08, 09, 10, 12, 13, 14, 16, 17</b>
<b>Length</b>	Length in .5 inch increments. Example: 6 = 3.0 inches Standard minimum length is 1.00 inch (dash code -2)
<b>Attachment Sym</b>	See Table I
<b>Attachment Length</b>	Length in .5 inch increments. Example: 6 = 3.0 inches
<b>Att. Ring Dia.</b>	See Table III

Table I: Attachment Sym	
Sym	Description
<b>C</b>	No Attachment, Body Strap Only
<b>D</b>	Bead Chain, Cres/Passivate, with Terminal
<b>E</b>	Link Chain, Cres/Passivate, with Reverse Link
<b>F</b>	Wire Rope, Nylon Jacket with Terminal
<b>G</b>	Nylon Rope, with Terminal
<b>H</b>	SST Wire Rope, Fluoropolymer Jacket
<b>N</b>	Attachment Omitted
<b>R</b>	Wire Rope, Fluoropolymer Jacket, with Terminal
<b>S</b>	#8 Sash Chain, Cres/Passivate
<b>U</b>	SST Wire Rope, Polyurethane Jacket

Size Code	Table II			Ø B Max	
	Shell Size Reference		A Thread Class -2B	In.	mm.
	800/801 803/804	805			
05	5	N/A	1/4-32 UNEF	0.470	11.94
06	6	N/A	5/16-32 UNEF	0.530	13.46
11	N/A	8	3/8-32 UNEF	0.570	14.48
07	7	9	7/16-28 UNEF	0.637	16.18
08	8	10	1/2-28 UNEF	0.700	17.78
09	9	11	9/16-24 UNEF	0.758	19.25
10	10	12	5/8-24 UNEF	0.819	20.80
12	11/12/13	13	11/16-24 UNEF	0.896	22.76
13	N/A	15	3/4-20 UNEF	0.930	23.62
14	14/15/16/17	18/19	15/16-20 UNEF	1.137	28.88
16	19	21	1 1/16-18 UNEF	1.230	31.24
17	21	23	1 3/16-18 UNEF	1.387	35.23

Table III: Attachment Ring Diameter			
Symbol	E Dia.	Symbol	E Dia.
<b>A</b>	.140	<b>D</b>	.191
<b>B</b>	.167	<b>E</b>	.125
<b>C</b>	.182	<b>F</b>	.218



Dimensions in Inches (millimeters) are subject to change without notice.