

Series 80 Mighty Mouse EMI/RFI Backshell Non-Environmental 380MS141 Ordering Information



The Series 80 Mighty Mouse, non-environmental backshell utilizes an EMI ring for easy shield termination. A protective backshell provides robust cable strain-relief.

How To Order					
Sample Part Number	380MS141	M	08	06	-4
Series	380MS141 = Straight Entry				
Shell Material and Finish	UCR = Aluminum / Zinc-Cobalt Black M = Aluminum / Electroless Nickel NF = Aluminum / Cadmium with Olive Drab ZN = Aluminum / Zinc-Nickel with Olive Drab Chromate ZNU = Aluminum / Zinc-Nickel with Black Chromate MT = Aluminum / Nickel-PTFE Z1 = Stainless Steel / Passivated				
Size Code (See Table I)	05, 06, 11, 07, 08, 09, 10, 12, 13, 14, 16, 17				
Cable Entry Code (Table II)	02, 25, 03, 35, 04, 05, 06, 07, 08, 09, 10, 11, 12, 13, 14, 15, 16				
Length	Specify length in 1/8 inch increments (e.g. 6 = .75 inches). Minimum length .50 inches				

NOTES

Material/Finish

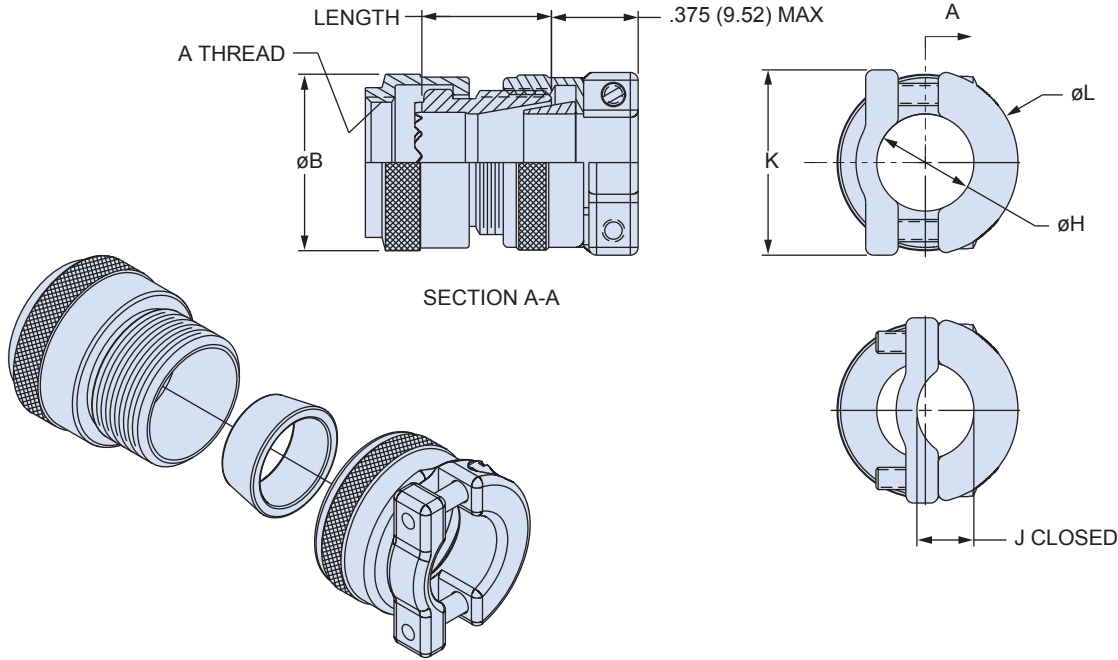
- Adapter, coupling nut, rear nut: aluminum alloy/per part number development
- Saddle: stainless steel/per part number development
- Hardware: stainless steel/passivated

Dimensions in Inches (millimeters) are subject to change without notice.





Series 80 Mighty Mouse EMI/RFI Backshell Non-Environmental 380MS141 Ordering Information



X

Table I: Size Code

Size Code	Shell Size, Mighty Mouse Series					A Thread UNEF-2B	Ø B Max		Max Entry
	800	801	803	804	805		In.	mm.	
05	5	5	5	5	-	.2500-32	0.470	11.94	25
06	6	6	6	6	-	.3125-32	0.530	13.46	35
11	-	-	-	-	8	.3750-32	0.570	14.48	4
07	7	7	7	7	9	.4375-28	0.637	16.18	5
08	8	8	8	8	10	.5000-28	0.700	17.78	6
09	9	9	9	9	11	.5625-24	0.758	19.25	7
10	10	10	10	10	12	.6250-24	0.819	20.80	8
12	12	13	12	12	-	.6875-24	0.896	22.76	9
13	-	-	-	-	15	.7500-20	0.930	23.62	10
14	-	16,17	14,15	14,15	18,19	.9375-20	1.137	28.88	13
16	-	19	-	-	21	1.0625-18	1.250	31.75	14
17	-	21	-	-	23	1.1875-18	1.397	35.48	16

Table II: Cable Entry Code

Entry Code	Ø H	J Closed	K	Ø L Max
02	0.125	0.075	0.470	0.470
25	0.156	0.094	0.470	0.470
03	0.188	0.113	0.530	0.530
35	0.219	0.131	0.530	0.530
04	0.250	0.150	0.590	0.590
05	0.313	0.188	0.655	0.655
06	0.375	0.225	0.715	0.715
07	0.438	0.263	0.780	0.780
08	0.500	0.300	0.840	0.840
09	0.563	TBD*	TBD*	TBD*
10	0.625	TBD*	TBD*	TBD*
11	0.688	TBD*	TBD*	TBD*
12	0.750	TBD*	TBD*	TBD*
13	0.813	TBD*	TBD*	TBD*
14	0.875	TBD*	TBD*	TBD*
15	0.938	TBD*	TBD*	TBD*
16	1.000	TBD*	TBD*	TBD*

* Contact Factory

Dimensions in Inches (millimeters) are subject to change without notice.