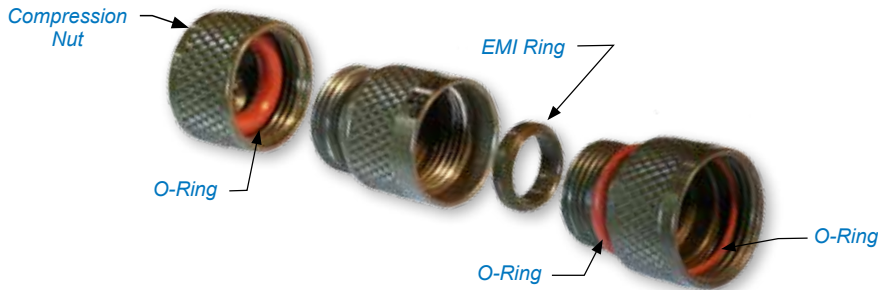


Series 80 Mighty Mouse Environmental EMI Backshell

390MS076 Straight, 390M*077 Straight, 45° and 90°
Ordering Information



These backshells feature an EMI ring for easy shield termination. O-rings provide watertight seals on the cable jacket and on the backshell-to-connector interface.

How To Order	
Sample Part Number	390MS077 M 07 04- 6 N
Series (See Table I)	<p>390MS076 = Straight Entry, Direct Coupling</p> <p>390MS077 = Straight Entry, Rotatable Coupling</p> <p>390MB077 = 45° Entry</p> <p>390MA077 = 90° Entry</p>
Shell Material and Finish	<p>C = Aluminum / Black Anodize (Non-Conductive) RoHS Compliant</p> <p>M = Aluminum / Electroless Nickel</p> <p>NF = Aluminum / Cadmium with Olive Drab</p> <p>ZN = Aluminum / Zinc-Nickel with Olive Drab Chromate</p> <p>ZNU = Aluminum / Zinc-Nickel with Black Chromate</p> <p>MT = Aluminum / Nickel-PTFE</p> <p>Z1 = Stainless Steel / Passivated</p>
Size Code (See Table II)	05, 06, 11, 07, 08, 09, 10, 12, 13, 14, 16, 17
Cable Entry Code (See Table III)	01, 02, 03, 04, 05, 06, 07, 08, 09, 10, 11, 12, 13
Length	Straight Entry 390MS Only Specify length in increments of .125; e.g. 6 = .75 in
Clamp Style (See Table IV)	Omit = Screw Clamp with Saddle Bars N = Compression Nut, Low Profile

Size Code	Thread Size Class -2B UNEF	Size Code	Thread Size Class -2B UNEF
05	.2500-32	10	.6250-24
06	.3125-32	12	.6875-24
11	.3750-32	13	.7500-20
07	.4375-28	14	.9375-20
08	.5000-28	16	1.0625-18
09	.5625-24	17	1.1875-18

Cable Entry Code	Saddle Clamp J Diameter Fully Closed		Cable Entry Code	Saddle Clamp J Diameter Fully Closed	
	In. ± .030	mm. ± 0.76		In. ± .030	mm. ± 0.76
01-	.110	2.79	08-	.550	13.97
02-	.170	4.32	09-	.610	15.49
03-	.230	5.84	10-	.670	17.02
04-	.300	7.62	11-	.730	18.54
05-	.360	9.14	12-	.860	21.84
06-	.420	10.67	13-	.990	25.15
07-	.480	12.19			

Omit Screw Clamp With Saddle Bars	N Compression Nut, Low Profile

390MS076 Straight Entry, Direct Coupling	390MS077 Straight Entry, Rotatable Coupling	390MB077 45° Entry	390MA077 90° Entry

NOTES

- Minimum length is .63 Inches. Tee table i for standard length applies to sym s, straight only
- Use shrink sleeve or bushing to build cable to dia. shown, under saddle bars

Materials

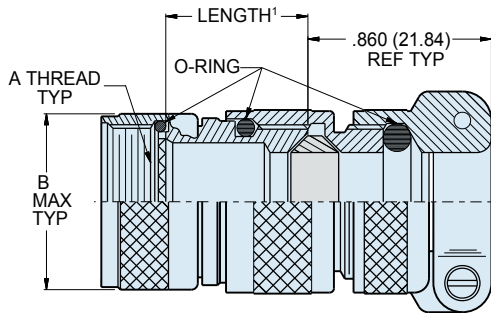
- Adapter, clamp, nut and saddles: aluminum alloy 6061-t6 or 300 series stainless steel
- O-rings: silicone rubber
- Hardware: 300 series stainless steel

Dimensions in Inches (millimeters) are subject to change without notice.

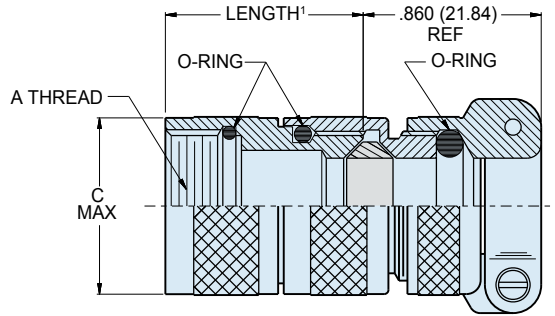


Series 80 Mighty Mouse Environmental EMI Backshell

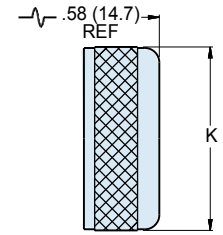
390MS076 Straight and 390M077 Straight, 45° and 90° Dimensions



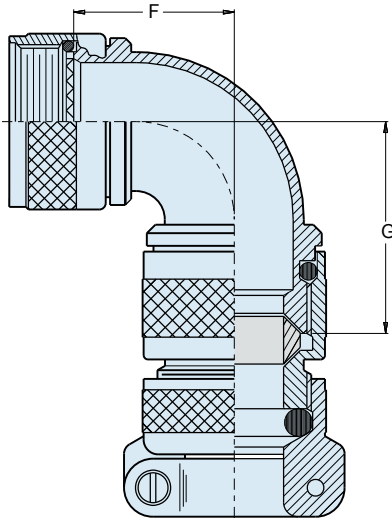
STRAIGHT ENTRY
ROTATABLE COUPLING
390MS077



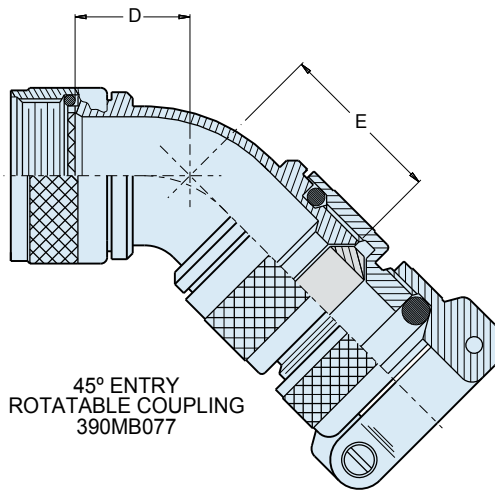
STRAIGHT ENTRY
DIRECT COUPLING
390MS076



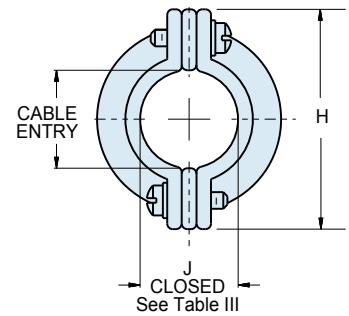
CLAMP STYLE N
COMPRESSION NUT



90° ENTRY
ROTATABLE COUPLING
390MA077



45° ENTRY
ROTATABLE COUPLING
390MB077



ENTRY SADDLE CLAMP

Cable Entry Dimensions

Dash No.	Cable Entry				D Max.		E Max.		F Max.		G Max.		H		Ø K	
	Max.		Min.		In.	mm.	In.	mm.	In.	mm.	In.	mm.	± .010	± 0.25	± .010	± 0.25
	In.	mm.	In.	mm.												
01	.109	2.77	.031	0.79	.603	15.32	.681	17.30	.724	18.39	.802	20.37	.496	12.60	.398	10.11
02	.172	4.37	.078	1.98	.603	15.32	.681	17.30	.724	18.39	.802	20.37	.582	14.78	.460	11.68
03	.234	5.94	.140	3.56	.603	15.32	.681	17.30	.724	18.39	.802	20.37	.656	16.66	.523	13.28
04	.297	7.54	.203	5.16	.629	15.98	.707	17.96	.786	19.96	.864	21.95	.726	18.44	.585	14.86
05	.359	9.12	.265	6.73	.629	15.98	.707	17.96	.786	19.96	.864	21.95	.885	22.48	.647	16.43
06	.422	10.72	.328	8.33	.655	16.64	.733	18.62	.848	21.54	.926	23.52	.952	24.18	.710	18.03
07	.484	12.29	.390	9.91	.655	16.64	.733	18.62	.848	21.54	.926	23.52	1.018	25.86	.773	19.63
08	.547	13.89	.453	11.51	.707	17.96	.785	19.94	.911	23.14	.989	25.12	1.084	27.53	.835	21.21
09	.609	15.47	.515	13.08	.707	17.96	.785	19.94	.911	23.14	.989	25.12	1.148	29.16	.897	22.78
10	.672	17.07	.578	14.68	.733	18.62	.811	20.60	.977	24.82	1.055	26.80	1.211	30.76	.959	24.36
11	.734	18.64	.640	16.26	.733	18.62	.811	20.60	.977	24.82	1.055	26.80	1.273	32.33	1.021	25.93
12	.859	21.82	.765	19.43	.785	19.94	.863	21.92	1.036	26.31	1.114	28.30	1.400	35.56	1.083	27.51
13	1.000	25.40	.906	23.01	.811	20.60	.889	22.58	1.098	27.89	1.176	29.87	1.539	39.09	1.145	29.08

Size Code Dimensions

Size Code	Shell Size Ref.		A Thds. UNEF Class-2B	B Max.		C Max.		Std. Length¹	
	800	805		In.	mm.	In.	mm.	In.	mm.
05	5	N/A	.2500-32	.470	11.94	.350	8.89	.75	19.05
06	6	N/A	.3125-32	.530	13.46	.415	10.54	.75	19.05
11	N/A	8	.3750-32	.570	14.48	.465	11.81	.75	19.05
07	7	9	.4375-28	.637	16.18	.530	13.46	.75	19.05
08	8	10	.5000-28	.700	17.78	.595	15.11	.75	19.05
09	9	11	.5625-24	.758	19.25	.650	16.51	.75	19.05
10	10	12	.6250-24	.819	20.80	.715	18.16	.75	19.05
12	11/12	13	.6875-24	.896	22.76	.785	19.94	.88	22.35
13	N/A	15	.7500-20	.930	23.62	.830	21.08	.88	22.35
14	14/15	18	.9375-20	1.137	28.88	1.020	25.91	1.00	25.40
16	19	21	1.0625-18	1.230	31.24	1.155	29.34	1.00	25.40
17	21	23	1.1875-18	1.387	35.23	1.280	108.71	1.13	28.70

Dimensions in Inches (millimeters) are subject to change without notice.