

Series 80 Mighty Mouse Environmental Direct Coupling Band-Master™ ATS Adapter 440MS134 Straight - Ordering Information



**Band-Master™ ATS Band
Microband 601-061**



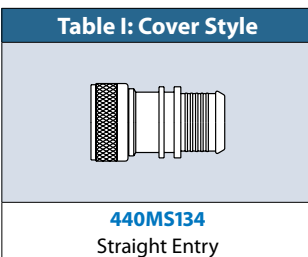
**Band-Master™ ATS
Micro Band Tool
601-101**



**Add a boot or overmold
for environmental protection
(Shown without boot)**

These adapters are used with Band-Master™ ATS micro band shield termination straps. Choose the smallest cable entry for your wire bundle.

How To Order					
Sample Part Number	440MS134	NF	07	04	B
Series (See Table I)	440MS134 = Straight Entry				
Shell Material and Finish	M = Aluminum / Electroless Nickel NF = Aluminum / Cadmium with Olive Drab ZN = Aluminum / Zinc-Nickel with Olive Drab Chromate ZNU = Aluminum / Zinc-Nickel with Black Chromate MT = Aluminum / Nickel-PTFE Z1 = Stainless Steel / Passivated				
Size Code (See Table II)	05, 06, 11, 07, 08, 09, 10, 12, 13, 14, 17				
Cable Entry Size (See Table III)	01, 02, 03, 04, 05, 06, 07, 08, 09, 10, 11, 12, 13, 14				
Band Option	B = 601-060 flat band supplied K = 601-061 pre-coiled band supplied Omit = no band supplied				



NOTES

Materials

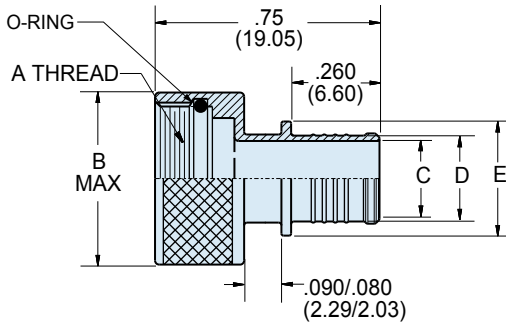
- Adapter: Aluminum Alloy or 300 Series SST
- Band: 300 Series SST
- O-Ring: Silicone Elastomer

Dimensions in Inches (millimeters) are subject to change without notice.





Series 80 Mighty Mouse Low-Profile Band-Master™ ATS Adapter 440MS134 Straight - Dimensions



STRAIGHT ENTRY
DIRECT COUPLING
440MS134

X

Table III: Banding Platform and Cable Entry Dimensions

Cable Entry Code	Ø C		Ø D		Ø E	
	In.	mm.	In.	mm.	In.	mm.
	± .015	± 0.38	± .015	± 0.38	± .015	± 0.38
01	.094	2.39	.133	3.38	.235	5.97
02	.125	3.18	.164	4.17	.266	6.76
03	.172	4.37	.211	5.36	.313	7.95
04	.234	5.94	.273	6.93	.375	9.53
05	.272	6.91	.311	7.90	.413	10.49
06	.312	7.92	.351	8.92	.453	11.51
07	.375	9.53	.414	10.52	.516	13.11
08	.438	11.13	.477	12.12	.579	14.71
09	.500	12.70	.539	13.69	.641	16.28
10	.562	14.27	.601	15.27	.703	17.86
11	.625	15.88	.664	16.87	.766	19.46
12	.688	17.48	.727	18.47	.829	21.06
13	.750	19.05	.789	20.04	.891	22.63
14	.812	20.62	.851	21.62	.953	24.21
15	.875	22.15	.914	23.22	1.016	25.81
16	.938	23.83	.977	24.82	1.079	27.41
17	1.000	25.40	1.039	26.39	1.141	28.98

Table II: Size Code Dimensions and Reference

Adapter Size Code	Shell Size Reference		A Threads	B Max.		Use with Cable Entry Size Codes
	800, 801, 803, 804	Series 805		In.	mm.	
05	5	N/A	.2500-32 UNEF-2B	.350	8.89	01 thru 03
06	6	N/A	.3125-32 UNEF-2B	.415	10.54	01 thru 04
11	N/A	8	.375-32 UNEF-2B	.465	11.81	01 thru 04
07	7	9	.4375-28 UNEF-2B	.530	13.46	02 thru 06
08	8	10	.5000-28 UNEF-2B	.595	15.11	03 thru 07
09	9	11	.5625-24 UNEF-2B	.650	16.51	05 thru 08
10	10	12	.6250-24 UNEF-2B	.715	18.16	06 thru 09
12	11, 12, 13	13	.6875-24 UNEF-2B	.785	19.94	07 thru 10
13	N/A	15	.750-20 UNEF-2B	.830	21.08	07 thru 10
14	14, 15, 16, 17	18, 19	.9375-20 UNEF-2B	1.020	25.91	10 thru 15
16	19	21	1.0625-18 UNEF-2B	1.155	29.34	10 thru 16
17	21	23	1.1875-18 UNEF-2B	1.280	32.51	10 thru 17

Dimensions in Inches (millimeters) are subject to change without notice.