

Series 80 Mighty Mouse EMI/RFI Backshell Band-In-A-Can Backshell 447MS981 Ordering Information



Series 80 Mighty Mouse, Band-In-A-Can backshell utilizes a secondary adapter that covers the banding area, along with providing options for strain relief. This backshell combines the efficiency and convenience of band style shield termination with a protective backshell which protects the shield termination area from damage due to rough handling and provides for robust cable strain-relief. Recommended for use in severe application environments where banding is the preferred shield termination technology.

How To Order						
Sample Part Number	447MS981	M	08	06	-6	K
Series	447MS981 = Straight Entry					
Shell Material and Finish	UCR = Aluminum / Zinc-Cobalt Black M = Aluminum / Electroless Nickel NF = Aluminum / Cadmium with Olive Drab ZN = Aluminum / Zinc-Nickel with Olive Drab Chromate ZNU = Aluminum / Zinc-Nickel with Black Chromate MT = Aluminum / Nickel-PTFE Z1 = Stainless Steel / Passivated					
Size Code (See Table I)	05, 06, 11, 07, 08, 09, 10, 12, 13, 14, 16, 17					
Cable Entry Code (See Table II)	02, 25, 03, 35, 04, 05, 06, 07, 08, 09, 10, 11, 12, 13, 14, 15, 16					
Length	Specify length in 1/8 inch increments (e.g. 12 = 1.50 inches). Minimum Length = .75					
Band Option	B = 1/8" Wide Straight Band K = 1/8" Wide Precoiled Band Omit = No Band Supplied					



NOTES

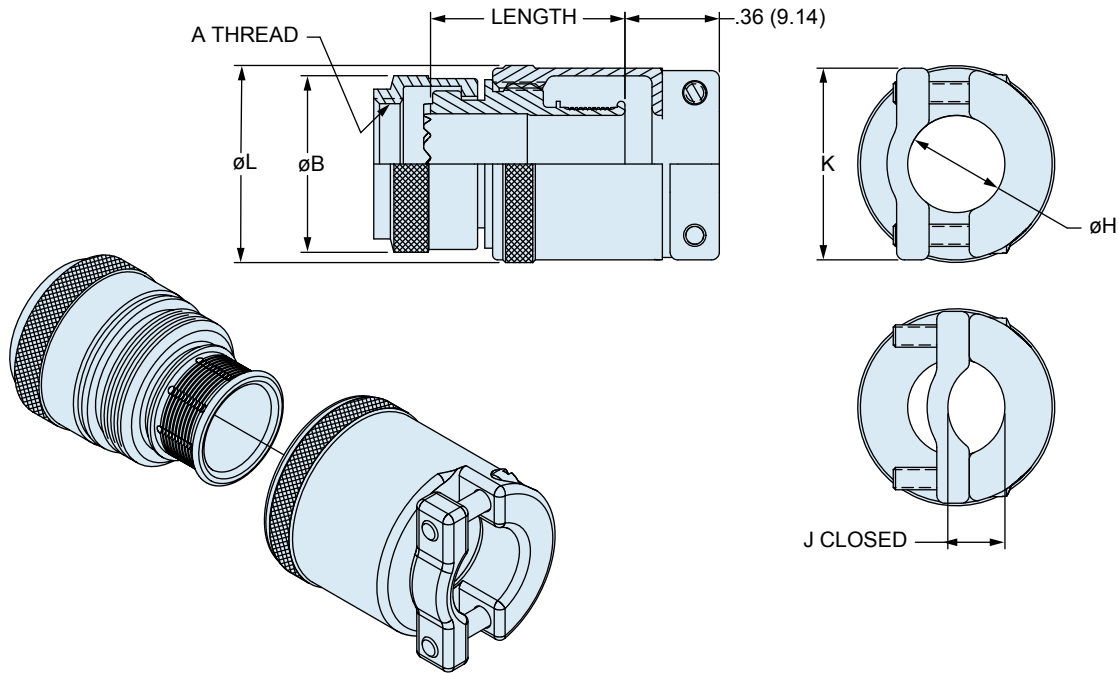
Material/Finish

- Adapter, coupling nut, rear nut: aluminum alloy/per part number development
- Saddle: stainless steel/per part number development
- Hardware: stainless steel/passivated

Dimensions in Inches (millimeters) are subject to change without notice.



Series 80 Mighty Mouse EMI/RFI Backshell Band-In-A-Can Backshell 447MS981 Ordering Information



X

Table I: Size Code

Size Code	800	801	803	804	805	A Thread UNEF - 2B	Ø B Max		Max Entry
							In.	mm.	
05	5	5	5	5	-	.2500-32	0.470	11.94	25
06	6	6	6	6	-	.3125-32	0.530	13.46	35
11	-	-	-	-	8	.3750-32	0.570	14.48	04
07	7	7	7	7	9	.4375-28	0.637	16.18	05
08	8	8	8	8	10	.5000-28	0.700	17.78	06
09	9	9	9	9	11	.5625-24	0.758	19.25	07
10	10	10	10	10	12	.6250-24	0.819	20.80	08
12	12	13	12	12	-	.6875-24	0.896	22.76	09
13	-	-	-	-	15	.7500-20	0.930	23.62	10
14	-	16,17	14,15	14,15	18,19	.9375-20	1.137	28.88	13
16	-	19	-	-	21	1.0625-18	1.250	31.75	14
17	-	21	-	-	23	1.1875-18	1.387	35.48	16

Table II: Cable Entry Code

Entry Code	Ø H		J Closed		K		Ø L Max	
	in.	mm.	in.	mm.	in.	mm.	in.	mm.
02	0.125	3.18	0.075	1.91	0.490	12.45	0.520	13.21
25	0.156	3.96	0.094	2.39	0.520	13.21	0.550	13.97
03	0.188	4.78	0.113	2.87	0.550	13.97	0.580	14.73
35	0.219	5.56	0.131	3.33	0.580	14.73	0.610	15.49
04	0.250	6.35	0.150	3.81	0.615	15.62	0.645	16.38
05	0.313	7.95	0.188	4.78	0.680	17.27	0.710	18.03
06	0.375	9.53	0.225	5.72	0.740	18.80	0.770	19.56
07	0.438	11.13	0.263	6.68	0.800	20.32	0.830	21.08
08	0.500	12.70	0.300	7.62	0.865	21.97	0.895	22.73
09	0.563	14.30	TBD*	TBD*	TBD*	TBD*	TBD*	TBD*
10	0.625	15.88	TBD*	TBD*	TBD*	TBD*	TBD*	TBD*
11	0.688	17.48	TBD*	TBD*	TBD*	TBD*	TBD*	TBD*
12	0.750	19.05	TBD*	TBD*	TBD*	TBD*	TBD*	TBD*
13	0.813	20.65	TBD*	TBD*	TBD*	TBD*	TBD*	TBD*
14	0.875	22.23	TBD*	TBD*	TBD*	TBD*	TBD*	TBD*
15	0.938	23.83	TBD*	TBD*	TBD*	TBD*	TBD*	TBD*
16	1.000	25.40	TBD*	TBD*	TBD*	TBD*	TBD*	TBD*

* Consult Factory

Dimensions in Inches (millimeters) are subject to change without notice.