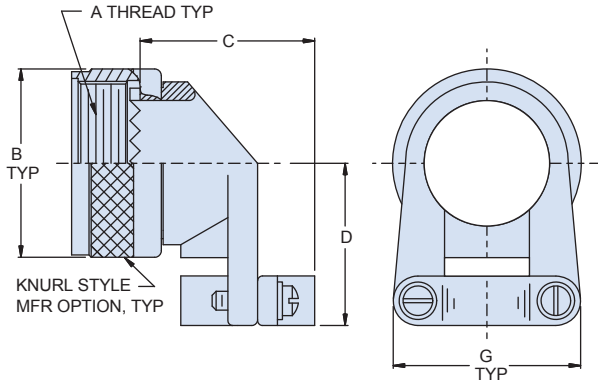


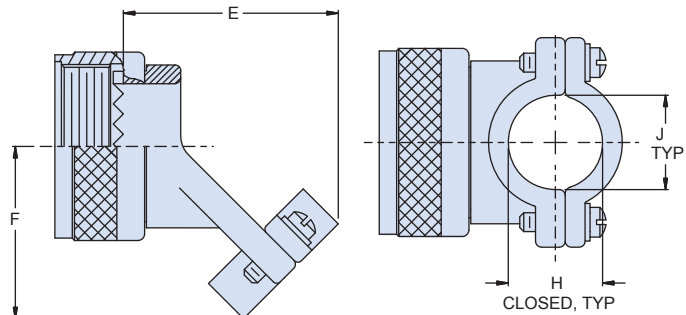
Series 80 Mighty Mouse Rotatable Coupling Strain Relief Clamp 620MA065 90° and 620MB065 45° Dimensions

90° Rotatable coupling clamp



SYMBOL A: 90°
620MA065

45° Rotatable coupling clamp



SYMBOL B: 45°
620MB065

620MA065 Symbol A Dimensions

Size Code	Shell Size Ref		A Thread Class -2B	B Max		C Max		D Max		G Typ	
	800/801/803/804	805		in	mm	in	mm	in	mm	in	mm
05	5	N/A	1/4-32 UNEF	.470		.613		.551			
06	6	N/A	5/16-32 UNEF	.530		.675		.582			
11	N/A	8	3/8-32 UNEF	.570		.675		.602			
07	7	9	7/16-28 UNEF	.637		.675		.632			
08	8	10	1/2-28 UNEF	.700		.743		.662			
09	9	11	9/16-24 UNEF	.758		.743		.691			
10	10	12	5/8-24 UNEF	.819		.805		.846			
12	11/12/13	13	11/16-24 UNEF	.896		.868		.881			
13	N/A	15	3/4-20 UNEF	.930		.868		.921			
14	14/15/16/17	18/19	15/16-20 UNEF	1.137		.993		.998			
15	14/15/16/17	18/19	15/16-20 UNEF	1.137		1.055		1.060			
16	19	21	1 1/16-18 UNEF	1.230		1.243		1.090			
17	21	23	1 3/16-18 UNEF	1.387		1.312		1.151			

620MB065 Symbol B Dimensions

Size Code	Shell Size Ref		E Max		F max		G Dim		H Closed		J Dim	
	800/801/803/804	805	in	mm	in	mm	in	mm	in	mm	in	mm
05	5	N/A	.806		.511		.496		0.11		0.119	
06	6	N/A	.850		.542		.582		0.17		0.182	
11	N/A	8	.850		.562		.582		0.17		0.182	
07	7	9	.850		.592		0.656		0.23		0.244	
08	8	10	.887		.622		0.726		0.30		0.307	
09	9	11	.887		.651		0.726		0.30		0.307	
10	10	12	1.018		.770		0.885		0.36		0.369	
12	11/12/13	13	1.061		.805		0.952		0.42		0.432	
13	N/A	15	1.091		.855		0.952		0.42		0.432	
14	14/15/16/17	18/19	1.146		.922		1.018		0.48		0.494	
15	14/15/16/17	18/19	1.208		.984		1.148		0.61		0.619	
16	19	21	1.325		.950		1.273		0.73		0.744	
17	21	23	1.495		1.042		1.400		0.86		0.869	

Dimensions in Inches (millimeters) are subject to change without notice.