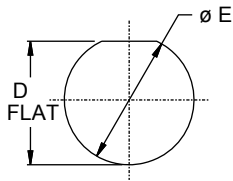




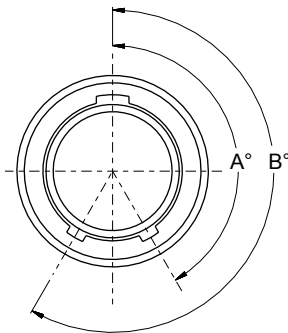
# Series 80 Mighty Mouse Rear Panel Mount Dummy Receptacle for 804 Connectors 650-061 Ordering Information

Series 804 rear panel mounted dummy storage receptacles provide a safe a convenient place to store and protect cabled connectors when not in use due to routine maintenance or repair of plug cables.



RECOMMENDED PANEL CUTOUT

### Alternate Key Positions



Pos.	A°	B°
A	150°	210°
B	75°	210°
C	95°	230°
D	140°	275°
E	75°	275°
F	95°	210°

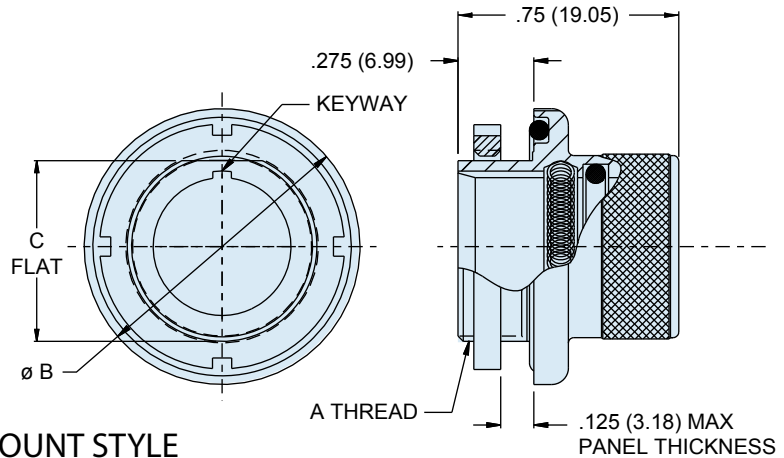
### NOTES:

- Glenair 600 series backshell assembly tools are recommended for assembly and installation.

#### Material and Finish:

- Receptacle: Al Alloy or SST/
- Seal: Fluorosilicone
- Spring: CRES/gold plated

How To Order				
Sample Part Number	650-061	NF	15	A
Series	650-061			
Shell Material and Finish	C = Aluminum / Black Anodize (Non-Conductive) RoHS Compliant M = Aluminum / Electroless Nickel NF = Aluminum / Cadmium with Olive Drab ZN = Aluminum / Zinc-Nickel with Olive Drab Chromate ZNU = Aluminum / Zinc-Nickel with Black over Electroless Nickel Z1 = Stainless Steel / Passivated ZB = Stainless Steel / Olive Drab Chromate over Cadmium ZC = Stainless Steel / Zinc Cobalt Alloy / Black Chromate			
Shell Size (See Table II)	5, 6, 7, 8, 9, 10, 11, 12, 14, 15			
Key Position	A, B, C, D, E, F Omit = Single key (non-Polarized)			



REAR MOUNT STYLE

Table I: Dimensions									
Shell Size	A Thread	Ø B		C-Flat		D-Flat		Ø E	
		in.	mm.	in.	mm.	in. ± .04	mm. ± .04	in.	mm.
5	.4375-32 UN-2A	.790	20.07	.415	10.54	.425	10.80	.448	11.38
6	.5000-32 UN-2A	.830	21.08	.467	11.86	.477	12.12	.510	12.95
7	.6250-28 UN-2A	.910	23.11	.594	15.09	.603	15.32	.635	16.13
8	.6250-28 UN-2A	.955	24.26	.594	15.09	.603	15.32	.635	16.13
9	.6875-28 UN-2A	1.000	25.40	.655	16.64	.665	16.89	.695	17.65
10	.7500-28 UN-2A	1.085	27.56	.721	18.31	.731	18.57	.760	19.30
11	.8125-28 UN-2A	1.135	28.83	.788	20.02	.798	20.27	.822	20.88
12	.8750-28 UN-2A	1.180	29.97	.843	21.41	.853	21.67	.885	22.48
14	1.0000-28 UN-2A	1.325	33.66	.968	24.59	.978	24.84	1.010	25.65
15	1.0625-20 UN-2A	1.390	35.31	1.029	26.14	1.039	26.39	1.070	27.18

Dimensions in Inches (millimeters) are subject to change without notice.