



Series 803 Mighty Mouse 1/4 Turn Bayonet Coupling Protective Cover

660-082 and 660-083 Ordering Information

Protect Connectors From Damage
Machined aluminum covers prevent ingress of contamination and water.

Stainless Steel Fittings and Rings
Choose small diameter eye fittings for panel attachment. Larger rings fit under the jam nut or over cable jackets. Split rings can be installed on fully assembled cables.

Polyurethane-Coated SST Wire Rope
offers high strength, excellent abrasion resistance and good flexibility. Or, choose Fluoropolymer jacket for high temperature exposure.

Braided Nylon Rope
provides excellent flexibility and good abrasion resistance, and can be ordered with slip knot fittings for easy installation on any size cable.



X

How To Order						
Sample Part Number	660-082	-M	S	12	04	-6
Series (See Table I)	660-082 = Plug Cover 660-083 = Receptacle Cover					
Shell Material / Finish	C = Aluminum / Black Anodize (Non-Conductive) RoHS Compliant M = Aluminum / Electroless Nickel RoHS Compliant NF = Aluminum / Cadmium with Olive Drab Chromate ZN = Aluminum / Zinc-Nickel with Olive Drab Chromate UCR = Aluminum / Zinc-Cobalt with Black Chromate RoHS Compliant ZNU = Aluminum / Zinc-Nickel with Black Chromate MT = Aluminum / Nickel-PTFE RoHS Compliant Z1 = Stainless Steel / Passivated RoHS Compliant					
Attachment Type	D = Bead Chain, CRES, Passivate F = Wire Rope, Nylon Jacket G = Nylon Rope H = SST Wire Rope, Fluoropolymer Jacket N = No Attachment R = Wire Rope, PVC Jacket S = SST Sash Chain SK = Nylon Rope With Slip Knot T = SST Wire Rope, No Jacket U = SST Wire Rope, Polyurethane Jacket "SST" = Stainless Steel					
Shell Size	5, 6, 7, 8, 9, 10, 12, 14, 15					
Attachment Code (See Table II)	Small Ring = 01 thru 06 Large Ring = 14 thru 33 Split Ring = 50 thru 68					
Attachment Length (inches)	Omit for attachment Type N (No Attachment) Example "-6" equals six inch length					

Table I: Cover Style	
660-082 Bayonet Plug Cover	660-083 Bayonet Receptacle Cover

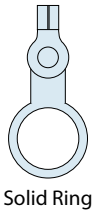
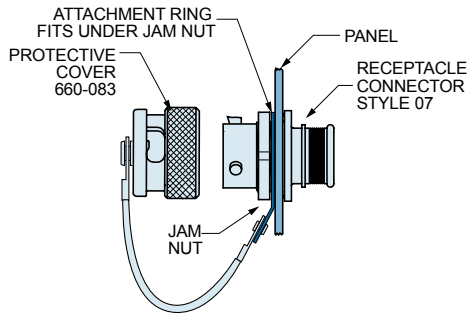
Table II: Attachment Code	
Omit for attachment types N (No Attachment) and SK (Slip Knot)	
	01 - .126 (3.20) I.D. 02 - .145 (3.68) I.D. 04 - .188 (4.78) I.D. 06 - .197 (5.00) I.D.
	14 - .385 (9.8) 15 - .445 (11.3) 16 - .570 (14.5) 17 - .635 (16.1) 18 - .695 (17.7) 19 - .885 (22.5) 20 - 1.070 (27.2) 21 - 1.135 (28.8) 22 - 1.210 (30.7) 23 - 1.275 (32.4) 25 - 1.530 (38.9) 26 - .950 (24.1) 27 - .766 (19.5) 28 - 1.015 (25.8) 29 - .315 (8.0) 30 - 1.380 (35.1) 31 - .820 (20.8) 32 - .265 (6.7) 33 - .510 (13.0)
	50 - .420 (10.67) I.D. 52 - .480 (12.19) I.D. 54 - .635 (16.13) I.D. 56 - .745 (18.92) I.D. 58 - .885 (22.48) I.D. 60 - 1.010 (25.65) I.D. 64 - 1.125 (28.58) I.D. 68 - 1.345 (34.16) I.D.

Dimensions in Inches (millimeters) are subject to change without notice.

Series 803 Mighty Mouse 1/4 Turn Bayonet Coupling Protective Cover 660-082 and 660-083 Dimensions

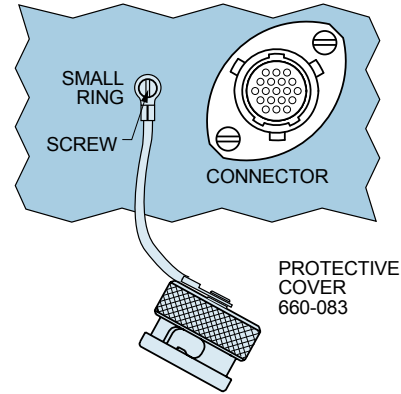


660-083 Cover Attachment to RPM Jam Nut Receptacle



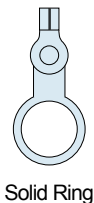
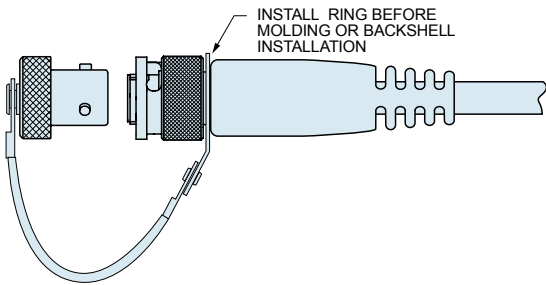
Attc. Code	Shell Size	Ring I.D.		Ring O.D.	
		In.	mm.	In.	mm.
		± .010	±0.25	± .015	± 0.38
14	5	.385	9.78	.51	12.95
15	6	.445	11.30	.57	14.48
16	7	.570	14.48	.69	17.53
17	8, 9	.635	16.13	.76	19.30
27	10	.766	19.46	.89	22.61
19	12	.885	22.48	1.01	25.65
20	14	1.070	27.18	1.20	30.48
21	15	1.135	28.83	1.25	31.75

660-083 Cover Attachment to Panel



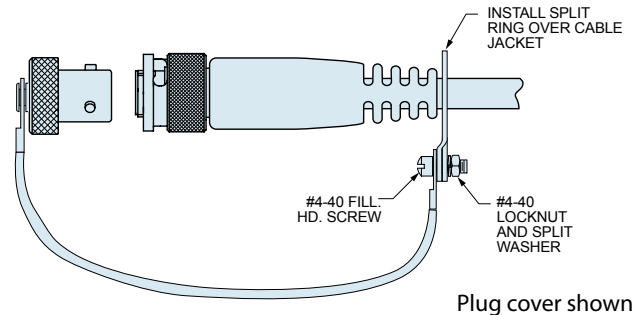
Attc. Code	Screw Size	Ring I.D.		Ring O.D.	
		In.	mm.	In.	mm.
		±.005	±0.13	Max.	Max.
01	#4, M3	.126	3.20	.31	7.9
02	#6	.145	3.68	.31	7.9
04	#8, M4	.188	4.78	.31	7.9
06	#10	.197	5.00	.31	7.9

660-082 & 083 Cover Attachment to Cable Assembly



Attc. Code	Shell Size	Ring I.D.		Ring O.D.	
		In.	mm.	In.	mm.
		± .010	±0.25	± .015	± 0.38
29	5	.315	8.00	.44	11.18
14	6	.315	8.00	.44	11.18
33	7, 8	.510	12.95	.62	15.75
16	9	.570	14.48	.69	17.53
17	10	.635	16.13	.76	19.30
18	12	.695	17.65	.82	20.83
26	14, 15	.950	24.13	1.14	28.96

660-082 & 083 Cover Attachment to Cable

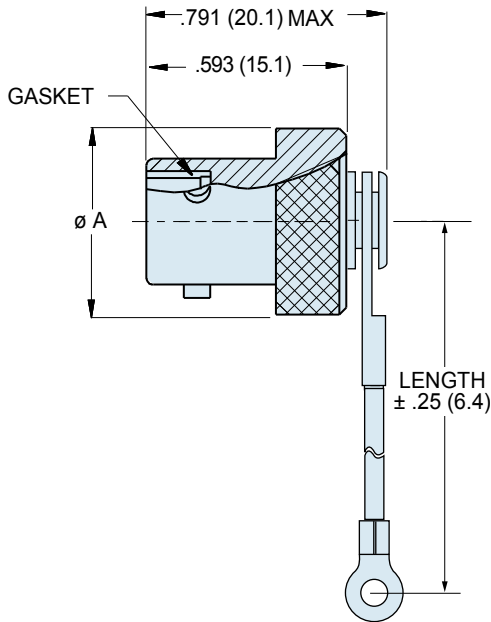


Attc. Code	Max. Cable Dia. (in.)	Ring Diameter			
		Min. ID		Max. OD	
		In.	mm.	In.	mm.
50	.410	.420	10.67	.580	14.73
52	.470	.480	12.19	.640	16.26
54	.625	.635	16.13	.796	20.22
56	.735	.745	18.92	.905	22.99
58	.875	.885	22.48	1.046	26.57
60	1.000	1.010	25.65	1.171	29.74
64	1.115	1.125	28.58	1.285	32.64
68	1.335	1.345	34.16	1.505	38.23

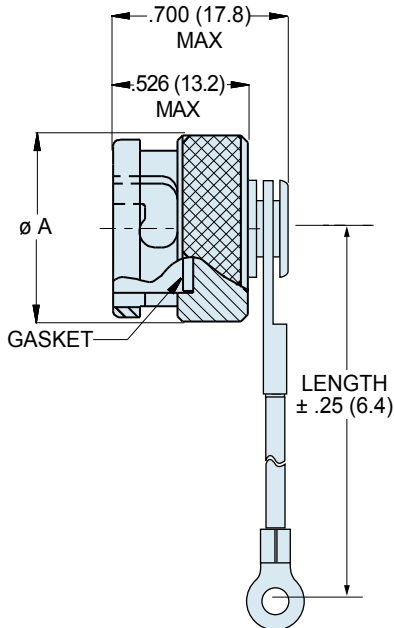
Dimensions in Inches (millimeters) are subject to change without notice.



Series 803 Mighty Mouse 1/4 Turn Bayonet Coupling Protective Cover 660-082 and 660-083 Dimensions



Plug Cover
660-082



Receptacle Cover
660-083

Dimensions		
Shell Size	Ø A Max.	
	In.	mm.
5	.620	15.7
6	.620	15.7
7	.620	15.7
8	.690	17.5
9	.760	19.3
10	.850	21.6
12	.940	23.8
14	1.170	29.7
15	1.170	29.7

Lanyard Options

Nylon Rope (G)	-65° to +100°C., black, very flexible, very good abrasion resistance, good resistance to fuels, .120" (3mm) diameter
Polyurethane Coated Wire Rope (U)	Black polyurethane over stainless steel rope, -65° to +125°C., very flexible, excellent abrasion resistance, excellent resistance to fuels, .080" (2mm) diameter
Fluoropolymer Jacketed Wire Rope (H)	Translucent FEP jacket over stainless steel, -65° to +200°C., fair flexibility, good abrasion resistance, .100" diameter
Sash Chain (S)	Stainless steel, #8 chain, .240" (6mm)
Slip Knot (SK) for Attaching Covers to Cable	65° to +100°C., black, very flexible, very good abrasion resistance, good resistance to fuels, .120" (3mm) diameter. Length includes .5" (13mm) diameter loop.

NOTES

Materials and Finishes

- Cover: aluminum alloy or stainless steel
- Gasket: fluorosilicone rubber
- Wire, hardware: stainless steel, passivated

Dimensions in Inches (millimeters) are subject to change without notice.