



Series 802 AquaMouse™ Submersible IP68 Protective Cover

660-088 and 660-087 Ordering Information



Protect Connectors From Damage – These covers prevent ingress of water and contamination. Stainless steel plug covers feature Viton® O-rings for IP68 sealing (one meter for one hour). Receptacle covers have a Viton® gasket and are made from marine bronze to minimize galling. Cover is designed for low PSI connector protection. For 3500 PSI protection, use part numbers 667-241 and 667-242

Three Types of Attachment Rings
Choose small diameter eye fittings for panel attachment. Larger rings fit under the jam nut or over cable jackets. Split

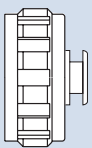
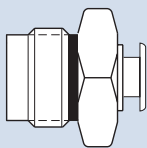
rings can be installed on fully assembled cables.

Polyurethane-Coated SST Wire Rope offers high strength, excellent abrasion resistance and good flexibility. Or, choose Fluoropolymer jacket for high temperature exposure.

Braided Nylon Rope provides excellent flexibility and good abrasion resistance, and can be ordered with slip knot fittings for easy installation on any size cable.

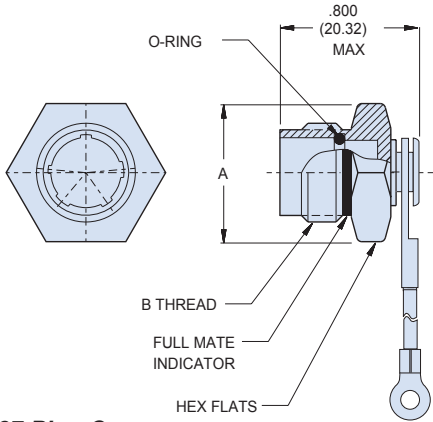
X

How To Order							
Sample Part Number		660-088	-9	G	04	-6	B
Series (See Table I)	660-088 = Receptacle Cover 660-087 = Plug Cover						
Shell Size	-5, -6, -7, -8, -9, -10, -12, -14, -15, -21						
Attachment Type	G = Nylon Rope H = SST Wire Rope, Fluoropolymer Jacket N = No Attachment S = SST Sash Chain SK = Nylon Rope With Slip Knot T = SST Wire Rope, No Jacket U = SST Wire Rope, Polyurethane Jacket "SST" = Stainless Steel						
Attachment Code (See Table II)	Small Ring = 01, 02, 04, 06 Solid Ring = 16 thru 24 Split Ring = 50 thru 72						
Attachment Length (inches)	Example "-6" equals six inch length Omit for attachment Type N (No Attachment)						
Alternate Key Position (660-087 Only)	Omit for plug connectors with standard "A" key position, for all other positions indicate B, C or D Omit if ordering 660-088 receptacle cover						

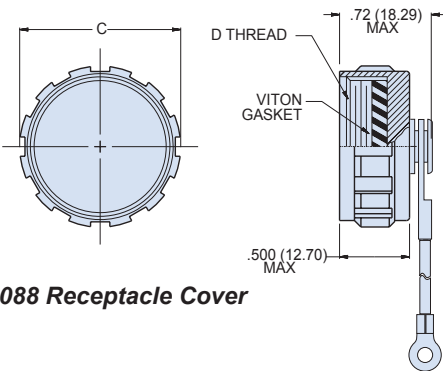
Table I: Cover Style	
	
660-088 Receptacle Cover	660-087 Plug Cover

Dimensions in Inches (millimeters) are subject to change without notice.

Series 802 AquaMouse™ Submersible IP68 Protective Cover 660-088 and 660-087 Dimensions



660-087 Plug Cover



660-088 Receptacle Cover

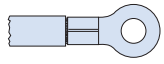
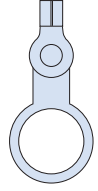
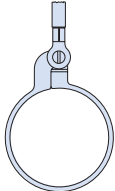

660-087 & -088 Dimensions						
Shell Size	A Hex		B Thread Class 2A	Ø C Max.		D Thread Class 2B
	In.	mm.		In.	mm.	
5	.500	12.70	.438-28 UNEF	.59	15.0	.438-28 UNEF
6	.625	15.88	.562-20 UN	.72	18.3	.562-20 UN
7	.688	17.48	.625-20 UN	.78	19.8	.625-20 UN
8	.750	19.05	.687-20 UN	.84	21.3	.687-20 UN
9	.812	20.62	.750-20 UNEF	.90	22.9	.750-20 UNEF
10	.875	22.23	.812-20 UNEF	.97	24.6	.812-20 UNEF
12	.938	23.83	.875-20 UNEF	1.03	26.2	.875-20 UNEF
14	1.125	28.58	1.062-20 UN	1.22	31.0	1.062-20 UN
15	1.188	30.18	1.125-20 UN	1.28	32.5	1.125-20 UN
21	1.562	39.67	1.438-20 UN	1.61	40.9	1.438-20 UN

NOTES

Materials and Finishes

- Plug Cover: 316 stainless steel, passivated
- Receptacle Cover: marine bronze, unplated
- O-Ring: Viton rubber
- Gasket: Viton rubber
- Wire, Hardware: Stainless steel, passivated

Dimensions in Inches (millimeters) are subject to change without notice.

Table II: Attachment Options				
 <p>Small Ring For Attaching Receptacle Covers to a Panel with a Screw</p>	Attch. Code	Screw Size	Ring I.D.	
			In.	mm.
	01	#4, M3	.126	3.20
	02	#6	.145	3.68
	04	#8, M4	.188	4.78
	06	#10	.197	5.00
 <p>Solid Ring for Attaching Receptacle Covers to Jam Nut Receptacles</p>	Attch. Code	Receptacle Cover Shell Size	Ring I.D.	
			In.	mm.
	16	5	.570	14.5
	17	6	.635	16.1
	18	7	.695	17.7
	19	8, 9, 10	.885	22.5
	20	12	1.070	27.2
	21	14	1.135	28.8
	22	15	1.210	30.7
	24	21	1.530	38.9
 <p>Large Split Ring for Attaching Covers to Cables</p>	Attch. Code	Max. Cable Dia.	Min. ID	
	50	.410	.420	10.67
	52	.470	.480	12.19
	54	.625	.635	16.13
	56	.735	.745	18.92
	58	.875	.885	22.48
	60	1.000	1.010	25.65
	64	1.115	1.125	28.58
	68	1.335	1.345	34.16
	72	1.416	1.438	36.53
 <p>Slip Knot (SK) for Attaching Covers to Cable</p>				

Jam Nut Major Diameter Reference			
Shell Size	Jam Nut Thread Major Dia.	Shell Size	Jam Nut Thread Major Dia.
5	.5000	10	.8750
6	.6250	12	.9375
7	.6875	14	1.1250
8	.7500	15	1.1875
9	.8125	21	1.5000

