

Series 800 Mighty Mouse Metal Protective Covers with UN Mating Thread 667-184 and 667-185 Ordering Information



Protective covers fit Series 800 plug and receptacle connectors. Aluminum or stainless steel. Fluorosilicone rubber gasket protects connector from contamination and water ingress. Attach to panel or cable with a variety of lanyards and fittings. Lanyard styles include braided nylon rope, stainless steel wire or sash chain. Stainless steel wire available with flexible, rugged polyurethane coating or fluoropolymer sleeve for high temperature requirements.

| How To Order | |
|---------------------------------------|----------------------------------------------------------------------------------------------------------------------------------------------------------------------------------------------------------------------------------------------------------------------------------------------------------------------------------------------------------|
| Sample Part Number | 667-184 -M -G 9 04 -6 X |
| Series (See Table I) | 667-184 = Plug Cover 667-185 = Receptacle Cover |
| Shell Material and Finish | C = Aluminum / Black Anodize (Non-Conductive) RoHS Compliant M = Aluminum / Electroless Nickel RoHS Compliant MT = Aluminum / Nickel-PTFE RoHS Compliant NF = Aluminum / Cadmium with Olive Drab Chromate ZNU = Aluminum / Zinc-Nickel with Black Chromate Z1 = Stainless Steel / Passivated RoHS Compliant |
| Attachment Type | -D = Bead Chain, CRES, Passivate -F = Wire Rope, Nylon Jacket -G = Nylon Rope -H = SST Wire Rope, Fluoropolymer Jacket -N = No Attachment -R = Wire Rope, PVC Jacket -S = SST Sash Chain -SK = Nylon Rope With Slip Knot -T = SST Wire Rope, No Jacket -U = SST Wire Rope, Polyurethane Jacket "SST" = Stainless Steel |
| Shell Size | 5, 6, 7, 8, 9, 10, 12 |
| Attachment Code (See Table II) | Small Ring = 01, 02, 04, 06 Large Ring = 14 thru 33 Split Ring = 50 thru 68 |
| Attachment Length (Inches) | Omit for attachment Type N (No Attachment) Example: "-6" equals six inch length |
| Alternate Polarization | X, Y, Z; Omit for Normal. Applies to 667-184 Plug Cover only. |

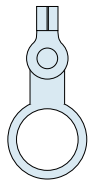
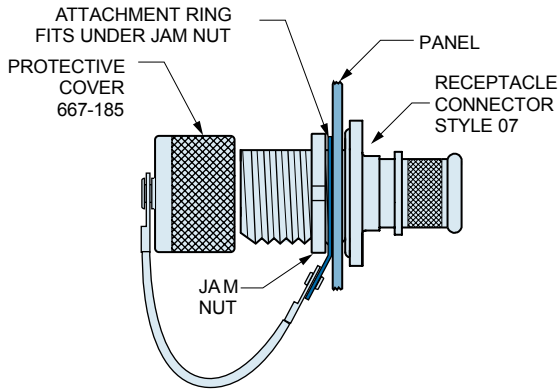
| Table I: Shell Style | |
|------------------------------|------------------------------------|
| | |
| 667-184 Plug Cover | 667-185 Receptacle Cover |

| Table II: Attachment Code | |
|------------------------------------------------------------------------------|--------------------------------|
| Omit for attachment types N (No Attachment) and SK (Slip Knot) | |
| | 00 - No Eyelet |
| | 01 - .125 (3.2) I.D. |
| | 02 - .145 (3.6) I.D. |
| | 04 - .182 (4.6) I.D. |
| | 06 - .197 (5.0) I.D. |
| | 32 - .265 (6.73) I.D. |
| | 29 - .315 (8.00) I.D. |
| | 14 - .385 (9.78) I.D. |
| | 15 - .445 (11.30) I.D. |
| | 33 - .510 (12.95) I.D. |
| | 16 - .570 (14.48) I.D. |
| | 17 - .635 (16.13) I.D. |
| | 18 - .695 (17.65) I.D. |
| 27 - .766 (19.46) I.D. | |
| | 50 - .432 (11.0) I.D. |
| | 52 - .492 (12.5) I.D. |
| | 54 - .648 (16.5) I.D. |
| | 56 - .757 (19.2) I.D. |
| | 58 - .898 (22.8) I.D. |
| | 60 - 1.023 (26.01) I.D. |
| | 64 - 1.137 (28.9) I.D. |
| 68 - 1.357 (34.5) I.D. | |

Dimensions in Inches (millimeters) are subject to change without notice.

Series 800 Mighty Mouse Metal Protective Covers with UN Mating Thread 667-184 and 667-185 Dimensions

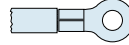
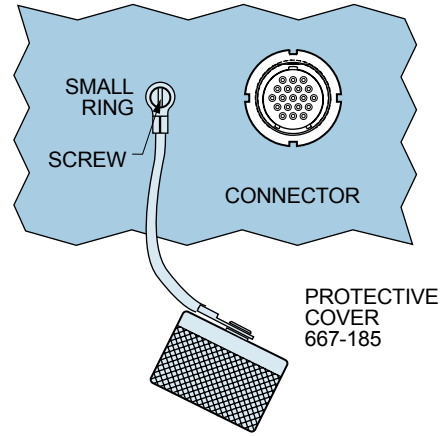
667-185 Cover Attachment for RPM Jam Nut Receptacle



Solid Ring

| Attch. Code | Shell Size | Ring I.D. | | Ring O.D. | |
|-------------|------------|-----------|-------|-----------|--------|
| | | In. | mm. | In. | mm. |
| | | ± .010 | ±0.25 | ± .015 | ± 0.38 |
| 29 | 5 | 0.315 | 8.00 | 0.44 | 11.18 |
| 14 | 6 | 0.385 | 9.78 | 0.51 | 12.95 |
| 15 | 7 | 0.445 | 11.30 | 0.57 | 14.48 |
| 33 | 8 | 0.510 | 12.95 | 0.62 | 15.75 |
| 16 | 9 | 0.570 | 14.48 | 0.69 | 17.53 |
| 17 | 10 | 0.635 | 16.13 | 0.76 | 19.30 |
| 27 | 12 | 0.766 | 19.46 | 0.89 | 22.61 |

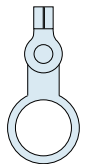
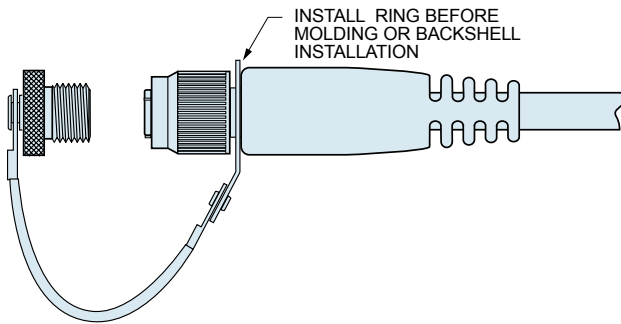
667-185 Cover Attachment to a Panel with a Screw



Small Ring for Attaching Receptacle Covers to a Panel with a Screw

| Attch. Code | Screw Size | Ring I.D. | | Ring O.D. | |
|-------------|------------|-----------|-------|-----------|------|
| | | In. | mm. | In. | mm. |
| | | ±.005 | ±0.13 | Max. | Max. |
| 01 | #4, M3 | .126 | 3.20 | .31 | 7.9 |
| 02 | #6 | .145 | 3.68 | .31 | 7.9 |
| 04 | #8, M4 | .188 | 4.78 | .31 | 7.9 |
| 06 | #10 | .197 | 5.00 | .31 | 7.9 |

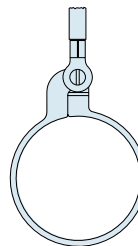
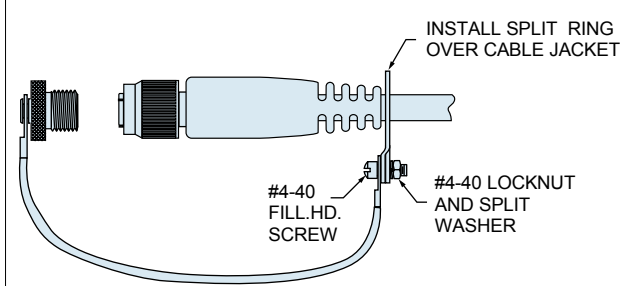
667-184 Cover Attachment to Cable Assembly



Solid Ring

| Attch. Code | Shell Size | Ring I.D. | | Ring O.D. | |
|-------------|------------|-----------|-------|-----------|--------|
| | | In. | mm. | In. | mm. |
| | | ± .010 | ±0.25 | ± .015 | ± 0.38 |
| 29 | 5 | .315 | 6.73 | 0.44 | 11.18 |
| 14 | 6 | 0.385 | 9.78 | 0.51 | 12.95 |
| 33 | 7,8 | 0.510 | 12.95 | 0.62 | 15.75 |
| 16 | 9 | 0.570 | 14.48 | 0.69 | 17.53 |
| 17 | 10 | 0.635 | 16.13 | 0.76 | 19.30 |
| 18 | 12 | 0.695 | 17.65 | 0.82 | 20.83 |

667-184 Cover Attachment for Cable

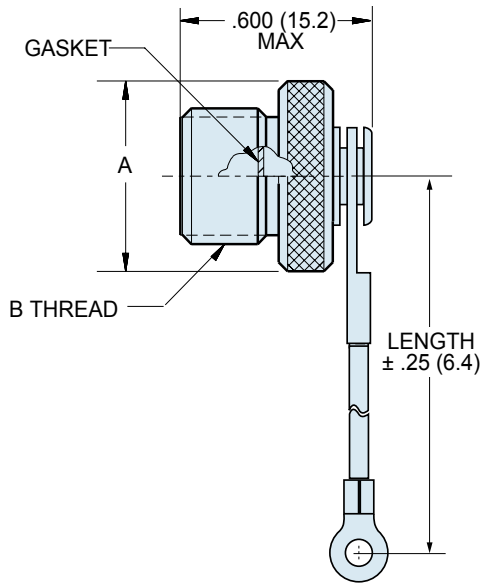


Large Split Ring for Attaching Covers to Cables

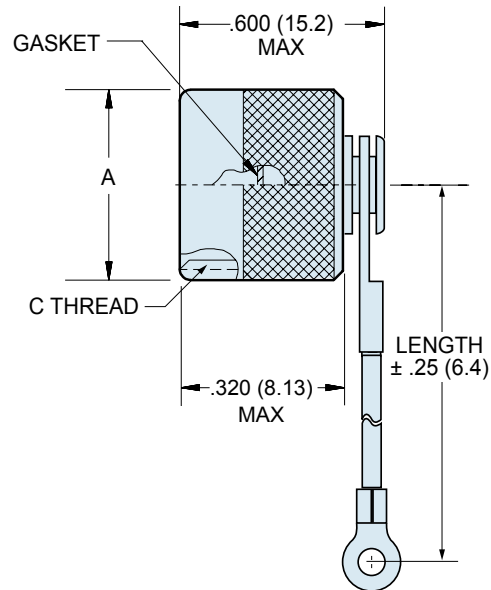
| Attch. Code | Max. Cable Dia. (in.) | Ring Diameter | | | |
|-------------|-----------------------|---------------|-------|---------|-------|
| | | Min. ID | | Max. OD | |
| | | In. | mm. | In. | mm. |
| 50 | .410 | .420 | 10.67 | .580 | 14.73 |
| 52 | .470 | .480 | 12.19 | .640 | 16.26 |
| 54 | .625 | .635 | 16.13 | .796 | 20.22 |
| 56 | .735 | .745 | 18.92 | .905 | 22.99 |
| 58 | .875 | .885 | 22.48 | 1.046 | 26.57 |
| 60 | 1.000 | 1.010 | 25.65 | 1.171 | 29.74 |
| 64 | 1.115 | 1.125 | 28.58 | 1.285 | 32.64 |
| 68 | 1.335 | 1.345 | 34.16 | 1.505 | 38.23 |

Dimensions in Inches (millimeters) are subject to change without notice.

Series 800 Mighty Mouse Metal Protective Covers with UN Mating Thread 667-184 and 667-185 Dimensions



667-184 Plug Cover



667-185 Receptacle Cover



| Shell Size | A Max. | | B | C |
|------------|--------|-------|------------------|------------------|
| | In. | mm. | | |
| 5 | .462 | 11.73 | .3125-28 UN-2A | .3125-28 UN-2B |
| 6 | .525 | 10.80 | .3750-28 UN-2A | .3750-28 UN-2B |
| 7 | .588 | 14.94 | .4375-28 UNEF-2A | .4375-28 UNEF-2B |
| 8 | .650 | 16.51 | .5000-32 UN-2A | .5000-32 UN-2B |
| 9 | .713 | 18.11 | .5625-32 UN-2A | .5625-32 UN-2B |
| 10 | .838 | 21.29 | .6250-32 UN-2A | .6250-32 UN-2B |
| 12 | .900 | 22.86 | .7500-28 UN-2A | .7500-28 UN-2B |

NOTES

Materials and Finishes

- Cover: Aluminum alloy per ASTM B211, or stainless steel per AMS-QQ-S-763
- Gasket: Fluorosilicone rubber
- Wire, Hardware: Stainless steel, passivated

| Lanyard options | |
|--------------------------------------------------------|------------------------------------------------------------------------------------------------------------------------------------------------------------------|
| | -65° to +100°C., black, very flexible, very good abrasion resistance, good resistance to fuels, .120" (3mm) diameter |
| | Black polyurethane over stainless steel rope, -65° to +125°C., very flexible, excellent abrasion resistance, excellent resistance to fuels, .080" (2mm) diameter |
| | Translucent FEP jacket over stainless steel, -65° to +200°C., fair flexibility, good abrasion resistance, .100" diameter |
| | Stainless steel, #8 chain, .240" (6mm) |
| | 65° to +100°C., black, very flexible, very good abrasion resistance, good resistance to fuels, .120" (3mm) diameter. Length includes .5" (13mm) diameter loop. |
| Slip Knot (SK) for Attaching Covers to Cable | |

Dimensions in Inches (millimeters) are subject to change without notice.