

Series 804 Push-Pull Mighty Mouse Protective Receptacle Cover 667-202 Ordering Information



Protect Connectors From Damage

Machined aluminum covers prevent ingress of contamination and water.

Stainless Steel Fittings and Rings

Choose small diameter eye fittings for panel attachment. Larger rings fit under the jam nut or over cable jackets. Split rings can be installed on fully assembled cables.

Polyurethane-Coated SST Wire Rope

offers high strength, excellent abrasion resistance and good flexibility. Or, choose Fluoropolymer jacket for high temperature exposure.

Braided Nylon Rope

provides excellent flexibility and good abrasion resistance, and can be ordered with slip knot fittings for easy installation on any size cable.

How To Order	
Sample Part Number	667-202 M 9 H 6 -14 R
Series (See Table I)	667-202 = Receptacle Cover
Shell Material / Finish	C = Aluminum / Black Anodize (Non-Conductive) RoHS Compliant M = Aluminum / Electroless Nickel RoHS Compliant NF = Aluminum / Cadmium with Olive Drab Chromate ZN = Aluminum / Zinc-Nickel with Olive Drab Chromate ZNU = Aluminum / Zinc-Nickel with Black Chromate MT = Aluminum / Nickel-PTFE RoHS Compliant Z1 = Stainless Steel / Passivated RoHS Compliant
Shell Size	5, 6, 7, 8, 9, 10, 11, 12, 14,
Attachment Type	D = Bead Chain, CRES, Passivate F = Wire Rope, Nylon Jacket G = Nylon Rope H = SST Wire Rope, Fluoropolymer Jacket N = No Attachment R = Wire Rope, PVC Jacket S = SST Sash Chain SK = Nylon Rope With Slip Knot T = SST Wire Rope, No Jacket U = SST Wire Rope, Polyurethane Jacket "SST" = Stainless Steel
Attachment Length (inches)	Omit for attachment Type N (No Attachment) Example: "-6" equals six inch length
Attachment Code (See Table II)	Small Ring = 01 thru 06 Large Ring = 14 thru 33 Split Ring = 50 thru 68
Pull Ring Option	R = Supplied with Pull Ring (Omit for none)



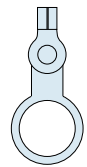
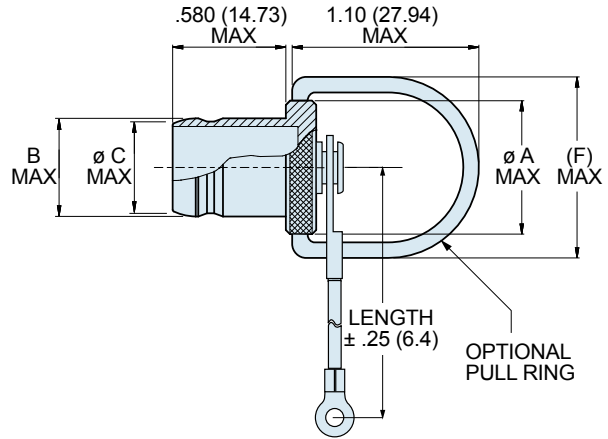
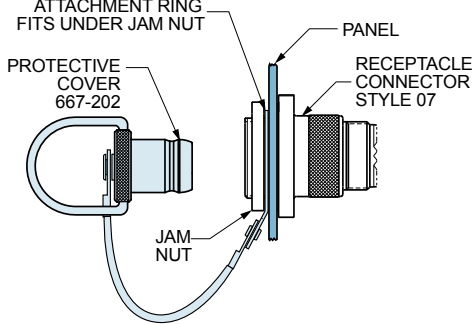
Table II: Attachment Code

Omit for attachment types **N** (No Attachment) and **SK** (Slip Knot)

 Small Ring	-01 - .126 (3.20) I.D.
	-02 - .145 (3.68) I.D.
	-04 - .188 (4.78) I.D.
	-06 - .197 (5.00) I.D.
 Large Ring	-15 - .445 (11.3) I.D.
	-33 - .510 (13.0) I.D.
	-17 - .635 (16.1) I.D.
	-18 - .695 (17.7) I.D.
	-27 - .766 (19.4) I.D.
	-31 - .820 (20.) I.D.
	-19 - .885 (22.5) I.D.
 Split Ring	-28 - 1.015 (25.8) I.D.
	-20 - 1.135 (28.8) I.D.
	-50 - .420 (10.67) I.D.
	-52 - .480 (12.19) I.D.
	-54 - .635 (16.13) I.D.
	-56 - .745 (18.92) I.D.
-58 - .885 (22.48) I.D.	
-60 - 1.010 (25.65) I.D.	
-64 - 1.125 (28.58) I.D.	
-68 - 1.345 (34.16) I.D.	

Dimensions in Inches (millimeters) are subject to change without notice.

667-202 Cover Attachment to RPM Jam Nut Receptacle

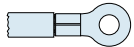
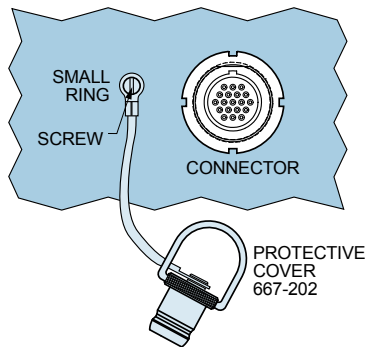


Solid Ring

Dia. Code	Shell Size	Ring I.D.		Ring O.D.	
		In.	mm.	In.	mm.
		± .010	±0.25	± .015	± 0.38
15	5	.445	11.30	.57	14.48
33	6	.510	12.95	.62	15.75
17	7, 8	.635	16.13	.76	19.30
18	9	.695	17.65	.82	20.83
27	10	.766	19.46	.89	22.61
31	11	.820	20.83	1.00	25.40
19	12	.885	22.48	1.01	25.65
28	14	1.015	25.78	1.20	30.48
20	15	1.070	27.18	1.20	30.48

Dimensions									
Shell Size	Ø A Max.	Ø B	Ø C	F Max	Shell Size	Ø A Max.	Ø B	Ø C	F Max
5	.490 (12.45)	.234 (5.94)	.203 (5.16)	.74 (18.80)	10	.773 (19.63)	.548 (13.92)	.513 (13.03)	1.03 (26.16)
6	.490 (12.45)	.297 (7.54)	.266 (6.76)	.74 (18.80)	11	.805 (20.45)	.600 (15.24)	.569 (14.45)	1.06 (26.92)
7	.570 (14.48)	.367 (9.32)	.335 (8.51)	.82 (20.83)	12	.860 (21.84)	.658 (16.71)	.627 (15.93)	1.11 (28.19)
8	.614 (15.60)	.414 (10.52)	.383 (9.73)	.87 (22.10)	14	.980 (24.89)	.781 (19.84)	.749 (19.02)	1.23 (31.24)
9	.680 (17.27)	.467 (11.86)	.435 (11.05)	.92 (23.37)	15	1.045 (26.54)	.843 (21.41)	.811 (20.60)	1.30 (33.02)

667-202 Cover Attachment to Panel



Small Ring for Attaching Receptacle Covers to a Panel with a Screw

Dia. Code	Screw Size	Ring I.D.		Ring O.D.	
		In.	mm.	In.	mm.
		±.005	±0.13	Max.	Max.
01	#4, M3	.126	3.20	.31	7.9
02	#6	.145	3.68	.31	7.9
04	#8, M4	.188	4.78	.31	7.9
06	#10	.197	5.00	.31	7.9

Lanyard Options



Nylon Rope

-65° to +100°C., black, very flexible, very good abrasion resistance, good resistance to fuels, .120" (3mm) diameter



Polyurethane Coated Wire Rope

Black polyurethane over stainless steel rope, -65° to +125°C., very flexible, excellent abrasion resistance, excellent resistance to fuels, .080" (2mm) diameter



Fluoropolymer[®] Jacketed Wire Rope

Translucent FEP jacket over stainless steel, -65° to +200°C., fair flexibility, good abrasion resistance, .100" diameter



Sash Chain

Stainless steel, #8 chain, .240" (6mm)



Slip Knot (SK) for Attaching Covers to Cable

65° to +100°C., black, very flexible, very good abrasion resistance, good resistance to fuels, .120" (3mm) diameter. Length includes .5" (13mm) diameter loop.

Dimensions in Inches (millimeters) are subject to change without notice.