



# Series 802 AquaMouse™ Submersible 3500 PSI Protective Cover

## 667-241 and 667-242 Ordering Information



**Protect Connectors From Damage** – These covers prevent ingress of water and contamination. Stainless steel plug covers feature Viton® O-rings for 3500 PSI sealing. Receptacle covers have a Viton® gasket and are made from marine bronze to minimize galling. For low-pressure IP68 receptacle sealing only, use part number 660-088.

**Polyurethane-Coated SST Wire Rope** offers high strength, excellent abrasion resistance and good flexibility. Or, choose Fluoropolymer jacket for high temperature exposure.

**Braided Nylon Rope** provides excellent flexibility and good abrasion resistance, and can be ordered with slip knot fittings for easy installation on any size cable.

X

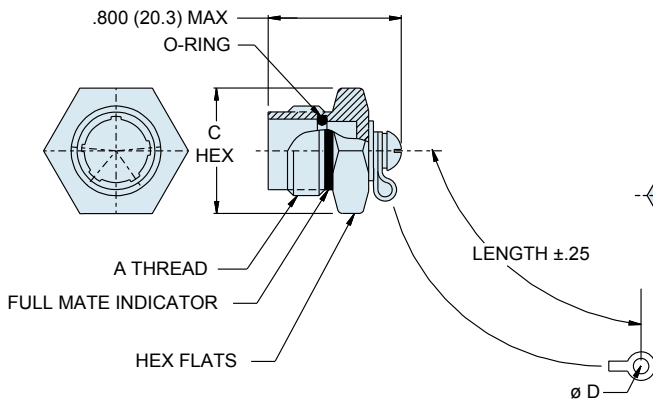
How To Order	
<b>Sample Part Number</b>	<b>667-241</b> -S 6 03 -6
<b>Series (See Table I)</b>	667-241 = Plug Cover 667-242 = Receptacle Cover
<b>Attachment Type</b>	-D = Bead Chain, Cres., Passivate -F = Wire Rope, Nylon Jacket -G = Nylon Rope -H = SST Wire Rope, Fluoropolymer Jacket -N = No Attachment -R = Wire Rope, PVC Jacket -S = SST Sash Chain -T = SST Wire Rope, No Jacket -U = SST Wire Rope, Polyurethane Jacket  "SST" = Stainless Steel
<b>Shell Size</b>	5, 6, 7, 8, 9, 10, 12, 14, 15, 21
<b>Attachment Code (See Table II)</b>	Small Ring = 01 thru 06 Solid Ring = 14 thru 33
<b>Attachment Length (inches)</b>	Omit for attachment Type N (No Attachment) Example "-6" equals six inch length

Table I: Cover Style	
<b>667-241</b> High Pressure Plug Cover	<b>667-242</b> High Pressure Receptacle Cover

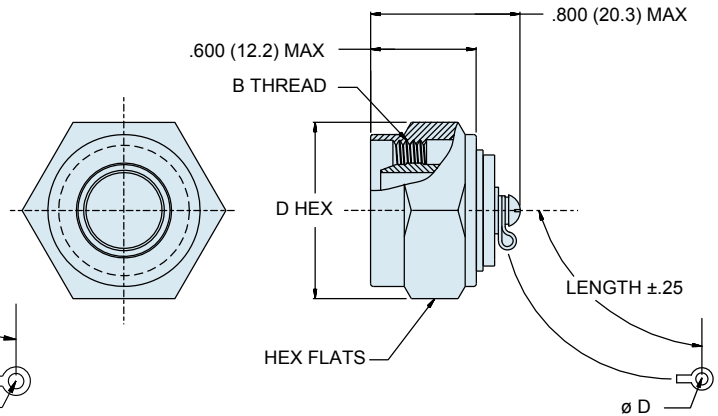
Table II: Attachment Code	
Omit for attachment Type N (No Attachment)	
 Small Ring	01 – .125 (3.2) I.D. 02 – .140 (3.6) I.D. 04 – .182 (4.6) I.D. 06 – .197 (5.0) I.D.
 Solid Ring	14 – .385 (9.8) I.D. 15 – .445 (11.3) I.D. 16 – .570 (14.5) I.D. 17 – .635 (16.1) I.D. 18 – .695 (17.7) I.D. 19 – .885 (22.5) I.D. 20 – 1.070 (27.2) I.D. 21 – 1.135 (28.8) I.D. 22 – 1.210 (30.7) I.D. 23 – 1.275 (32.4) I.D. 24 – 1.530 (38.9) I.D. 26 – .510 (13.0) I.D. 27 – .766 (19.5) I.D. 28 – 1.015 (25.8) I.D. 29 – .315 (8.0) I.D. 30 – 1.380 (35.1) I.D. 31 – .820 (20.8) I.D. 32 – .265 (6.7) I.D. 33 – .510 (13.0) I.D.

Dimensions in Inches (millimeters) are subject to change without notice.

Series 802 AquaMouse™ Submersible  
3500 PSI Protective Cover  
667-241 and 667-242 Dimensions



**667-241 High-Pressure Plug Cover**



**667-242 High-Pressure Receptacle Cover**





**667-241 (Plug Cover) Dimensions**

Attachment Code	Shell Size	A Thread	C Hex.	
			In.	mm.
32	5	.4375-28 UNEF-2A	.500	12.70
14	6	.5625-20 UN-2A	.625	15.88
33	7	.6250-20 UN-2A	.688	17.48
16	8	.6875-20 UN-2A	.750	19.05
17	9	.7500-20 UNEF-2A	.812	20.62
17	10	.8125-20 UNEF-2A	.875	22.23
18	12	.8750-20 UNEF-2A	.938	23.83
19	14	1.0625-20 UN-2A	1.125	28.58
26	15	1.1250-20 UN-2A	1.188	30.18
23	21	1.4375-20 UN-2A	1.562	39.67

**667-242 (Receptacle Cover) Dimensions**

Attachment Code	Shell Size	B Thread	D Hex	
			In.	mm.
33	5	.4375-28 UNEF-2B	.500	12.70
17	6	.5625-20 UN-2B	.625	15.88
18	7	.6250-20 UN-2B	.688	17.48
27	8	.6875-20 UN-2B	.750	19.05
31	9	.7500-20 UNEF-2B	.812	20.62
19	10	.8125-20 UNEF-2B	.875	22.23
26	12	.8750-20 UNEF-2B	.938	23.83
21	14	1.0625-20 UN-2B	1.125	28.58
22	15	1.1250-20 UN-2B	1.188	30.2
24	21	1.4375-20 UN-2B	1.562	39.7

**Table V: Lanyard Options**

 Nylon Rope	-65° to +100°C., black, very flexible, very good abrasion resistance, good resistance to fuels, .120" (3mm) diameter
 Polyurethane Coated Wire Rope	Black polyurethane over stainless steel rope, -65° to +125°C., very flexible, excellent abrasion resistance, excellent resistance to fuels, .080" (2mm) diameter
 Fluoropolymer Jacketed Wire Rope	Translucent FEP jacket over stainless steel rope, -65° to +200°C., fair flexibility, good abrasion resistance, .100" diameter
 Sash Chain	Stainless steel, #8 chain, .240" (6mm)

**NOTES**

*Materials and Finishes*

- Plug Cover: 316 Stainless Steel
- Receptacle Cover: Nickel-Aluminum-Bronze.
- Receptacle Shell: 316 Stainless Steel
- Plug O-Ring: Viton
- Receptacle Gasket: Fluorosilicone

Dimensions in Inches (millimeters) are subject to change without notice.

