



# Series 811 Mighty Mouse High Density (HD) Metal Protective Covers

667-347 and 667-218



### Protect Connectors From Damage

Machined aluminum covers have rubber gaskets for a watertight fit.

### Stainless Steel Fittings and Rings


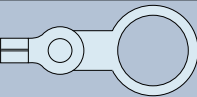
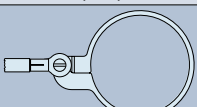
Choose small diameter eye fittings for panel attachment. Larger rings fit under the jam nut or over cable jackets. Split rings can be installed on fully assembled cables.

### Polyurethane-Coated SST Wire Rope

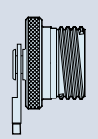
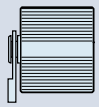
offers high strength, excellent abrasion resistance and good flexibility. Or, choose Fluoropolymer® jacket for high temperature exposure.

**Braided Nylon Rope** provides excellent flexibility and good abrasion resistance, and can be ordered with slip knot fittings for easy installation on any size cable.

X

Table I: Attachment Code	
Omit for attachment types N (No Attachment) and SK (Slip Knot)	
Attachment Code	Inside Diameter
<b>Small Ring</b> 	
01	.126 (3.20) I.D.
02	.145 (3.68) I.D.
04	.188 (4.78) I.D.
06	.197 (5.00) I.D.
<b>Large Ring</b> 	
14	.385 (9.78) I.D.
15	.445 (11.30) I.D.
16	.570 (14.48) I.D.
17	.635 (16.13) I.D.
18	.695 (17.65) I.D.
19	.885 (22.48) I.D.
20	1.070 (27.17) I.D.
21	1.135 (28.83) I.D.
22	1.210 (30.73) I.D.
23	1.275 (32.39) I.D.
27	.766 (19.5) I.D.
29	.315 (8.0) I.D.
32	.265 (6.7) I.D.
33	.510 (13.0) I.D.
<b>Split Ring</b> 	
50	.420 (10.67) I.D.
52	.480 (12.19) I.D.
54	.635 (16.13) I.D.
56	.745 (18.92) I.D.
58	.885 (22.48) I.D.
60	1.010 (25.65) I.D.
64	1.125 (28.58) I.D.
68	1.345 (34.16) I.D.

How To Order						
Sample Part Number	667-347	-ME	-G	9	04	-6
<b>Series</b>	667-347 = Protective cover for use with series 811 plugs 667-218 = Protective Cover for use with Series 811 Receptacles					
<b>Shell Material / Finish</b>	ME = Aluminum / Electroless Nickel RoHS Compliant MT = Aluminum / Nickel-PTFE RoHS Compliant ZR = Aluminum / Zinc-Nickel with Black Chromate					
<b>Attachment Type</b>	-G = Nylon Rope -H = SST Wire Rope, Fluoropolymer Jacket -N = No Attachment -S = SST Sash Chain -SK = Nylon Rope With Slip Knot -T = SST Wire Rope, No Jacket -U = SST Wire Rope, Polyurethane Jacket "SST" = Stainless Steel					
<b>Shell Size</b>	5, 6, 7, 8, 9					
<b>Attachment Code See Table I</b>	Small ring = 01, 02, 04, 06 Large ring = 14, 15, 16, 17, 18, 19, 20, 21, 22, 23, 27, 29, 32, 33 Split ring = 50, 52, 54, 56, 58, 60, 64, 68					
<b>Attachment Length in Inches</b>	Omit for attachment Type N (No Attachment) Example: "-6" equals six inch length					

Table I: Cover Style	
	
667-347 Plug Cover	667-218 Receptacle Cover

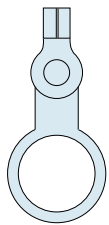
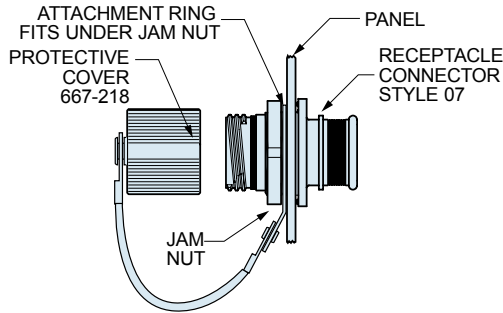
Dimensions in Inches (millimeters) are subject to change without notice.

# Series 811 Mighty Mouse High Density (HD) Metal Protective Cover

667-347 and 667-218 Dimensions and Attachments



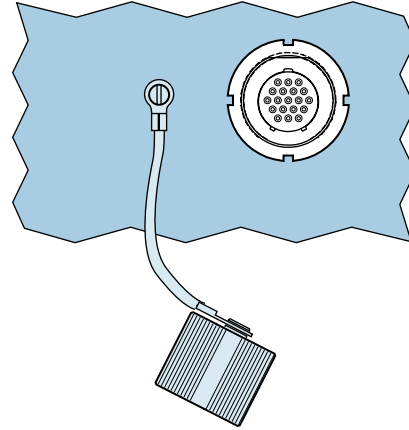
## 667-218 Cover Attachment to RPM Jam Nut Receptacle



Solid Ring

Attch. Code	Shell Size	Ring I.D.		Ring O.D.	
		In.	mm.	In.	mm.
		± .010	±0.25	± .015	± 0.38
14	5	.385	9.78	.510	12.95
15	6	.445	11.30	.565	14.35
16	7, 8	.570	14.48	.685	17.40
17	9	.635	16.13	.760	19.30

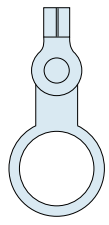
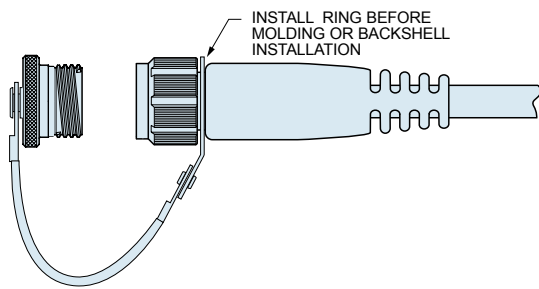
## 667-218 Cover Attachment to Panel with Screw



Small Ring for Attaching Receptacle Covers to a Panel with a Screw

Attch. Code	Screw Size	Ring I.D.		Ring O.D.	
		In.	mm.	In.	mm.
		±.005	±0.13	Max.	Max.
01	#4, M3	.126	3.20	.31	7.9
02	#6	.145	3.68	.31	7.9
04	#8, M4	.188	4.78	.31	7.9
06	#10	.197	5.00	.31	7.9

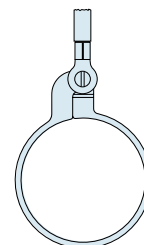
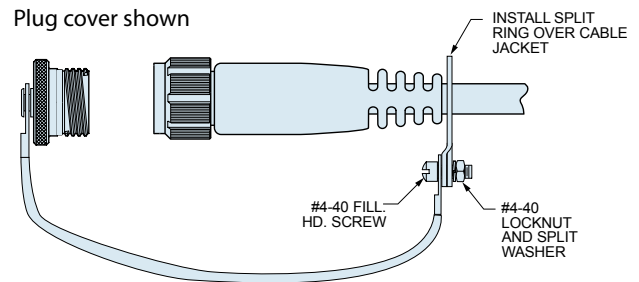
## 667-347 Cover Attachment to Cable Assembly



Solid Ring

Attch. Code	Shell Size	Ring I.D.		Ring O.D.	
		In.	mm.	In.	mm.
		± .010	±0.25	± .015	± 0.38
14	5,6	.385	9.78	.510	12.95
15	7	.445	11.30	.565	14.35
16	8, 9	.570	14.48	.685	17.40

## 667-347 Cover Attachment to Cable



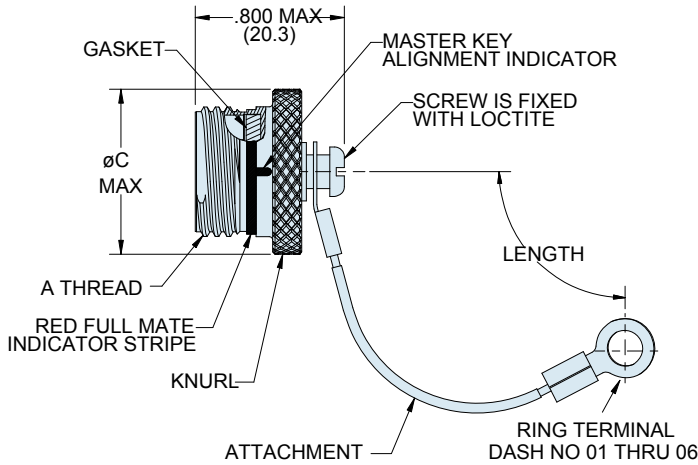
Large Split Ring for Attaching Covers to Cables

Attch. Code	Max. Cable Dia. (in.)	Ring Diameter			
		Min. ID		Max. OD	
		In.	mm.	In.	mm.
50	.410	.420	10.67	.580	14.73
52	.470	.480	12.19	.640	16.26
54	.625	.635	16.13	.796	20.22
56	.735	.745	18.92	.905	22.99
58	.875	.885	22.48	1.046	26.57
60	1.000	1.010	25.65	1.171	29.74
64	1.115	1.125	28.58	1.285	32.64
68	1.335	1.345	34.16	1.505	38.23

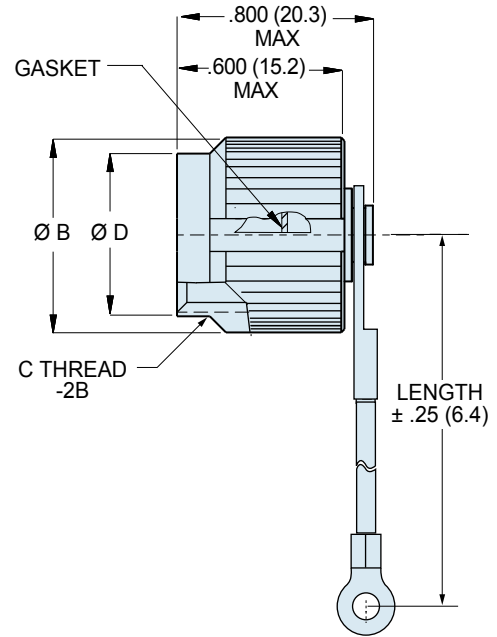
Dimensions in Inches (millimeters) are subject to change without notice.

# Series 811 Mighty Mouse High Density (HD) Metal Protective Cover

667-347 and 667-218 Dimensions and Attachments



**667-347 Plug Cover**



**667-218 Receptacle Cover**

X

Shell Size	Dimensions				C Thread
	A Max.		B Max.		
	In.	mm.	In.	mm.	
5	.465	11.81	.488	12.40	.3125-.05P-.1L
6	.525	13.34	.555	14.10	.3750-.05P-.1L
7	.590	14.99	.615	15.62	.4375-.05P-.1L
8	.653	16.59	.675	17.15	.5000-.05-.1L
9	.715	18.16	.840	21.34	.5625-.05P-.1L

**NOTES**

*Materials and Finishes*

- Cover: aluminum alloy or stainless steel
- Gasket: silicone rubber
- Wire, hardware: stainless steel, passivated

Lanyard Options	
	-65° to +100°C., black, very flexible, very good abrasion resistance, good resistance to fuels, .120" (3mm) diameter
	Black polyurethane over stainless steel rope, -65° to +125°C., very flexible, excellent abrasion resistance, excellent resistance to fuels, .080" (2mm) diameter
	Translucent FEP jacket over stainless steel, -65° to +200°C., fair flexibility, good abrasion resistance, .100" diameter
	Stainless steel, #8 chain, .240" (6mm)
	65° to +100°C., black, very flexible, very good abrasion resistance, good resistance to fuels, .120" (3mm) diameter. Length includes .5" (13mm) diameter loop.

Dimensions in Inches (millimeters) are subject to change without notice.