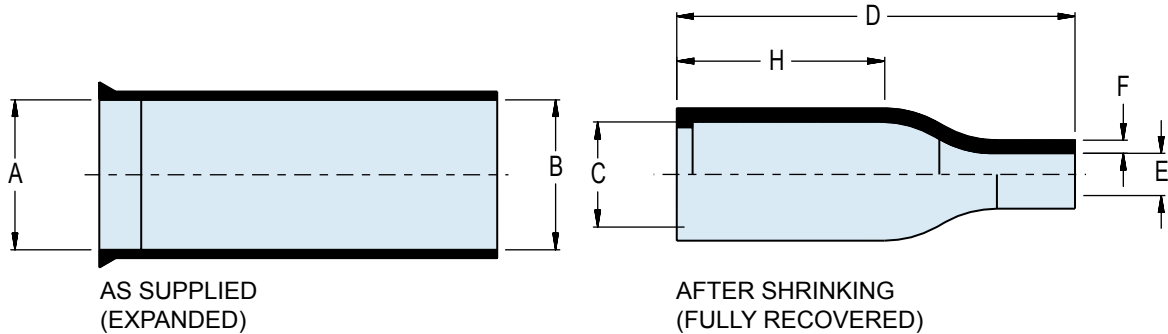


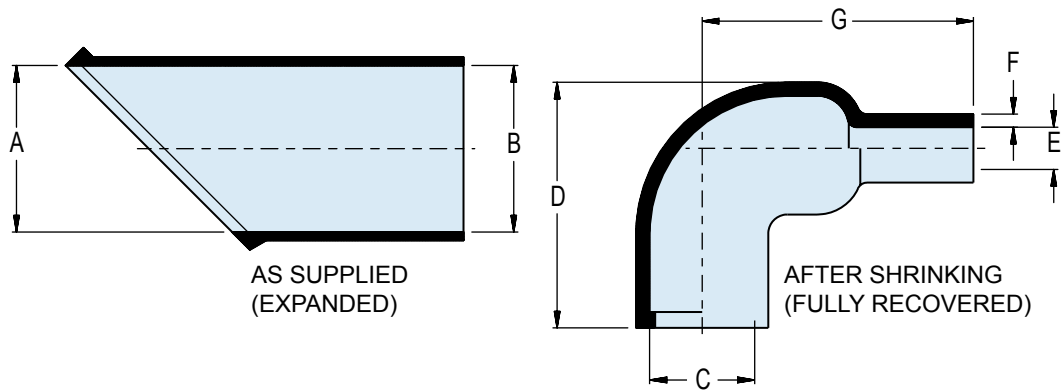
**Lipped straight shrink boots- dimensions**



Boot Size	A Min.		B Min.		C Max.		D Ref.		E Max.		F Ref.		H Ref.		Cable Range			
	In.	mm.	In.	mm.	In.	mm.	In.	mm.	In.	mm.	In.	mm.	In.	mm.	Maximum		Minimum	
															In.	mm.	In.	mm.
1	.390	9.91	.390	9.91	.260	6.60	1.370	34.80	.080	2.03	.030	0.76	.750	19.05	.230	5.84	.100	2.54
2	.669	16.99	.669	16.99	.300	7.62	1.500	38.10	.140	3.56	.032	0.81	.750	19.05	.500	12.70	.170	4.32
3	.945	24.00	.945	24.00	.390	9.91	1.500	38.1	.200	5.08	.035	0.89	.750	19.05	.800	20.32	.240	6.10
4	1.181	30.00	1.181	30.00	.550	13.97	2.170	55.12	.240	6.10	.039	0.99	1.180	29.97	1.020	25.91	.280	7.11
5	1.260	32.00	1.260	32.00	.710	18.03	2.640	67.06	.280	7.11	.039	0.99	1.300	33.02	1.120	28.45	.300	7.62
6	1.417	35.99	1.417	35.99	.900	22.86	3.150	80.01	.330	8.38	.047	1.19	1.570	39.88	1.200	30.48	.350	8.89



**Lipped 90° right angle shrink boots- dimensions**



Boot Size	A Min.		B Min.		C Max.		D Ref.		E Max.		F Ref.		G Ref.		Cable Range			
	In.	mm.	In.	mm.	In.	mm.	In.	mm.	In.	mm.	In.	mm.	In.	mm.	Maximum		Minimum	
															In.	mm.	In.	mm.
1	.390	9.91	.390	9.91	.260	6.60	.790	20.07	.095	2.41	.032	0.81	.750	19.05	.230	5.84	.100	2.54
2	.669	16.99	.669	16.99	.310	7.87	.790	20.07	.140	3.56	.032	0.81	.790	20.07	.500	12.70	.170	4.32
3	.945	24.00	.945	24.00	.390	9.91	.980	24.89	.200	5.08	.040	1.02	.980	24.89	.800	20.32	.240	6.10
4	1.181	30.00	1.181	30.00	.530	13.46	1.060	26.92	.220	5.59	.046	1.17	1.260	32.00	1.020	25.91	.270	6.86
5	1.260	32.00	1.260	32.00	.710	18.03	1.260	32.00	.280	7.11	.052	1.32	1.540	39.12	1.120	28.45	.300	7.62
6	1.417	35.99	1.417	35.99	.900	22.86	1.500	38.10	.330	8.38	.052	1.32	1.930	49.02	1.200	30.48	.350	8.89

Dimensions in Inches (millimeters) are subject to change without notice.