

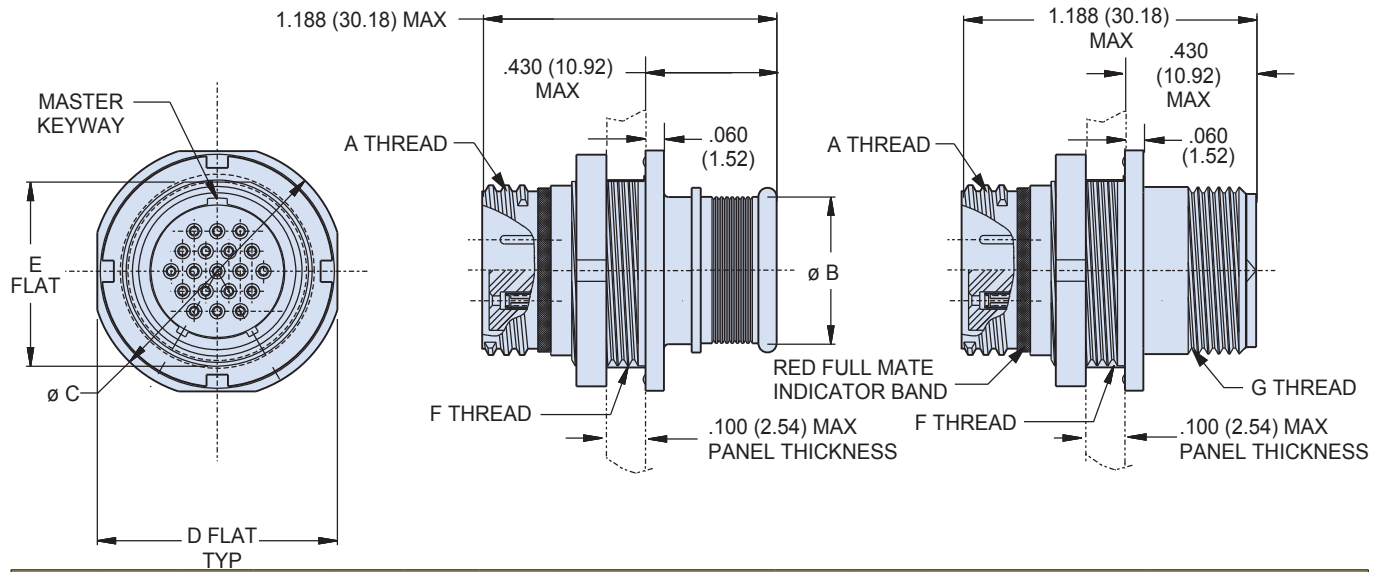
Series 805 Mighty Mouse Triple-Start Jam Nut Receptacle

805-003-07 and 805-004-07 Dimensions



Fiber Optic
Mighty Mouse

Jam nut, rear panel mount receptacle - shell style 07



Dimensions

Shell Size	ϕA		B		C		D Threads	ϕE		F Threads	G Threads Accessory
	In.	mm.	In.	mm.	In.	mm.		In.	mm.		
8	.760	19.30	.535	13.59	.730	18.54	.5000-1P-3L-TS-2A	.317	8.05	.5625-28 UNEF-2A	.3750-32 UNEF-2A
9	.880	22.35	.661	16.79	.850	21.59	.5625-1P-3L-TS-2A	.397	10.08	.6875-28 UN-2A	.4375-28 UNEF-2A
10	.880	22.35	.661	16.79	.850	21.59	.6250-1P-3L-TS-2A	.473	12.01	.6875-28 UN-2A	.5000-28 UNEF-2A
11	.955	24.26	.721	18.31	.925	23.50	.6875-1P-3L-TS-2A	.519	13.18	.7500-28 UN-2A	.5625-24 UNEF-2A
12	1.060	26.92	.784	19.91	1.035	26.29	.7500-1P-3L-TS-2A	.585	14.86	.8125-28 UN-2A	.6250-24 UNEF-2A
15	1.203	30.56	.970	24.64	1.173	29.79	.9375-1P-3L-TS-2A	.687	17.45	1.0000-28 UN-2A	.7500-20 UNEF-2A
18	1.389	35.28	1.147	29.13	1.359	34.52	1.1250-1P-3L-TS-2A	.884	22.45	1.1875-28 UN-2A	.9375-20 UNEF-2A
19	1.450	36.83	1.221	31.01	1.420	36.07	1.1875-1P-3L-TS-2A	.884	22.45	1.2500-28 UN-2A	.9375-20 UNEF-2A
23	1.705	43.31	1.470	37.34	1.675	42.55	1.4375-1P-3L-TS-2A	1.134	28.80	1.500-25 UN-2A	1.1875-18 UNEF-2A

Panel Cutout For Jam Nut Receptacle

Shell Size	A Flat		ϕB	
	In. $\pm .002$	mm. ± 0.05	In. $\pm .005$	mm. ± 0.13
8	.545/.541	13.84/13.74	.572/.567	14.53/14.40
9	.671/.667	17.04/16.94	.698/.693	17.73/17.60
10	.671/.667	17.04/16.94	.698/.693	17.73/17.60
11	.731/.727	18.57/18.47	.760/.755	19.30/19.18
12	.794/.790	20.17/20.07	.822/.817	20.88/20.75
15	.982/.976	24.94/24.79	1.010/1.006	25.65/25.55
18	1.157/1.153	29.39/29.29	1.198/1.193	30.43/30.30
19	1.231/1.227	31.27/31.17	1.260/1.255	32.00/31.88
23	1.480/1.476	37.60/37.49	1.510/1.505	38.54/38.23

Dimensions in Inches (millimeters) are subject to change without notice.