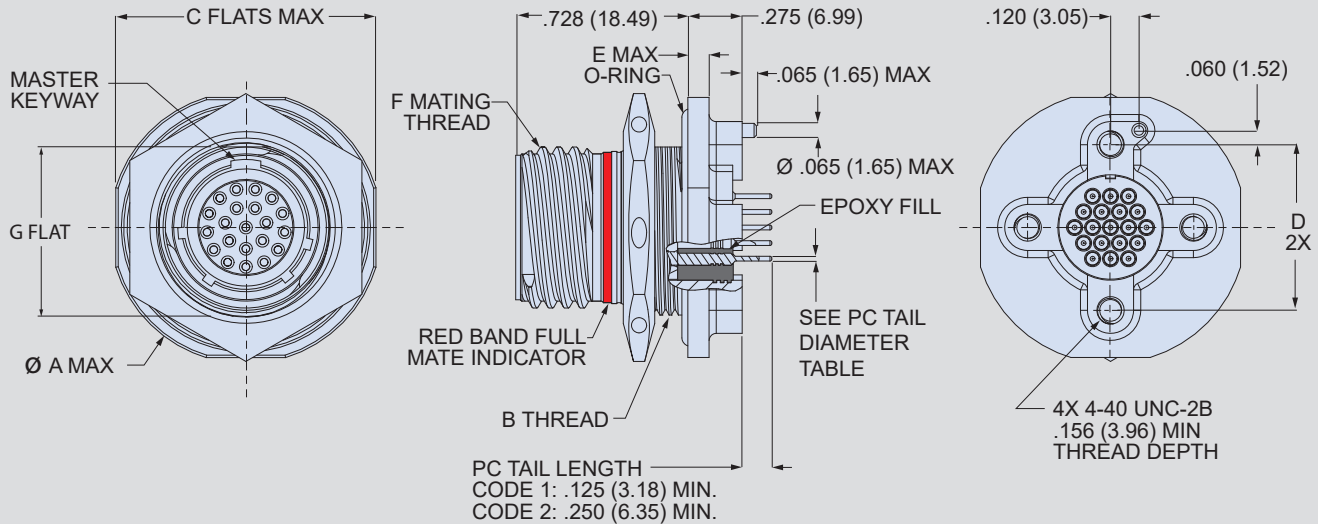


ENVIRONMENTAL, MICRO MINIATURE CIRCULAR

Series 806

Mil-Aero Connectors

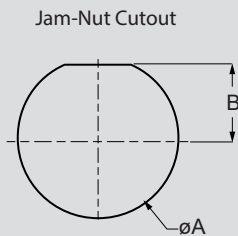
806-021 Jam-nut Receptacle, PC Tail Contacts



806-021 Receptacle Dimensions

Shell Size	øA Max	B Thread	C Max	D	E Max	F Mating Thread	G Flat
7	.908 (23.06)	M8x1.0-6g-0.100R	.848 (21.54)	.489 (12.42)	.100 (2.54)	.4375-.067P-2L-TS-2A	.463 (11.76)
8	.980 (24.89)	M15x1.0-6g-0.100R	.920 (23.37)	.534 (13.56)	.100 (2.54)	.5000-.067P-2L-TS-2A	.534 (13.56)
9	1.040 (26.42)	M16x1.0-6g-0.100R	.980 (24.89)	.579 (14.71)	.100 (2.54)	.5625-.067P-2L-TS-2A	.585 (14.86)
10	1.110 (28.19)	M18x1.0-6g-0.100R	1.050 (26.67)	.679 (17.25)	.100 (2.54)	.6250-.067P-2L-TS-2A	.656 (16.66)
11	1.160 (29.46)	M19x1.0-6g-0.100R	1.110 (28.19)	.734 (18.64)	.100 (2.54)	.6875-.067P-2L-TS-2A	.707 (17.96)
12	1.230 (31.24)	M21x1.0-6g-0.100R	1.170 (29.72)	.804 (20.42)	.100 (2.54)	.7500-.067P-2L-TS-2A	.777 (19.74)
14	1.360 (34.54)	M24x1.0-6g-0.100R	1.320 (33.53)	.891 (22.63)	.100 (2.54)	.8750-.067P-2L-TS-2A	.899 (22.83)
16	1.515 (38.48)	M27x1.0-6g-0.100R	1.444 (36.68)	1.049 (26.64)	.100 (2.54)	1.0000-.067P-2L-TS-2A	1.020 (25.91)
18	1.610 (40.89)	M30x1.0-6g-0.100R	1.570 (39.88)	1.148 (29.16)	.100 (2.54)	1.1250-.067P-2L-TS-2A	1.142 (29.01)
20	1.850 (46.99)	M34x1.0-6g-0.100R	1.760 (44.70)	1.252 (31.80)	.128 (3.25)	1.2500-.067P-2L-TS-2A	1.283 (32.59)
22	2.010 (51.05)	M37x1.0-6g-0.100R	1.913 (48.59)	1.369 (34.77)	.128 (3.25)	1.3750-.067P-2L-TS-2A	1.405 (35.69)
24	2.195 (55.75)	M41x1.0-6g-0.100R	2.070 (52.58)	1.509 (38.33)	.128 (3.25)	1.5000-.067P-2L-TS-2A	1.546 (39.27)

806-021 Jam-nut D-Hole Dimensions



Shell Size	øA +.005/-0.00 (+0.13/-0.00)	B +.005/-0.00 (+0.13/-0.00)
7	.522 (13.26)	.224 (5.69)
8	.601 (15.27)	.256 (6.50)
9	.640 (16.26)	.287 (7.29)
10	.719 (18.26)	.318 (8.08)
11	.759 (19.28)	.350 (8.89)
12	.837 (21.26)	.381 (9.68)
14	.955 (24.26)	.443 (11.25)
16	1.073 (27.25)	.505 (12.83)
18	1.192 (30.28)	.568 (14.43)
20	1.349 (34.26)	.630 (16.00)
22	1.467 (37.26)	.693 (17.60)
24	1.624 (41.25)	.755 (19.18)

PC Tail Diameter

Contact Size	Diameter
#22 HD	.020 (0.51)
#20 HD	.030 (0.76)
#16	.062 (1.57)
#12	.094 (2.39)
#8	.180 (4.57)