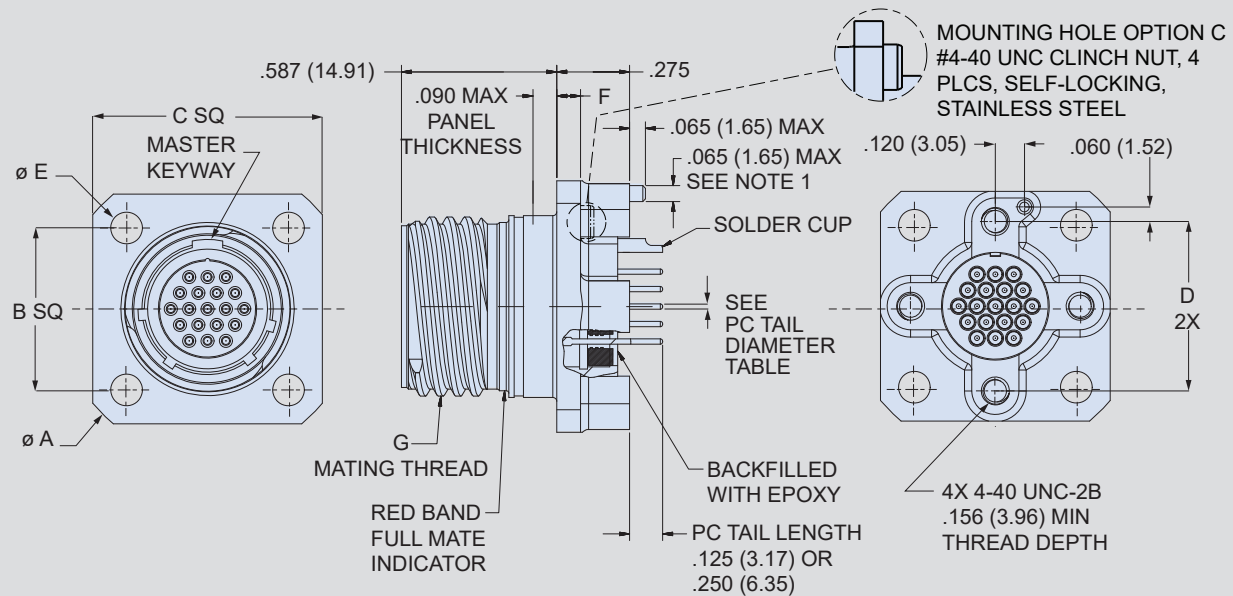


Series 806 Mil-Aero Connectors



806-022 Square Flange Receptacle, PC Tail or Solder Cup Contacts

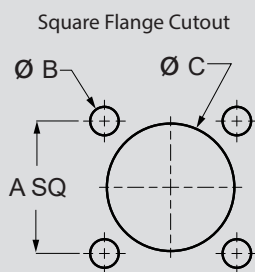


806-022 Receptacle Dimensions

Shell Size	A Max	B	C Max	D	øE	F Max	G Mating Thread
7	.968 (24.59)	.469 (11.91)	.750 (19.05)	.489 (12.42)	.128 (3.25)	.100 (2.54)	.4375-.067P-.2L-TS-2A
8	1.040 (26.42)	.531 (13.49)	.822 (20.88)	.534 (13.56)	.128 (3.25)	.100 (2.54)	.5000-.067P-.2L-TS-2A
9	1.130 (28.70)	.594 (15.09)	.885 (22.48)	.579 (14.71)	.128 (3.25)	.100 (2.54)	.5625-.067P-.2L-TS-2A
10	1.174 (29.82)	.625 (15.88)	.913 (23.19)	.679 (17.25)	.128 (3.25)	.100 (2.54)	.6250-.067P-.2L-TS-2A
11	1.240 (31.50)	.670 (17.02)	.960 (24.38)	.734 (18.64)	.128 (3.25)	.100 (2.54)	.6875-.067P-.2L-TS-2A
12	1.354 (34.39)	.765 (19.43)	1.040 (26.42)	.804 (20.42)	.128 (3.25)	.100 (2.54)	.7500-.067P-.2L-TS-2A
14	1.510 (38.35)	.859 (21.82)	1.133 (28.78)	.891 (22.63)	.128 (3.25)	.100 (2.54)	.8750-.067P-.2L-TS-2A
16	1.620 (41.15)	.938 (23.83)	1.242 (31.55)	1.049 (26.64)	.128 (3.25)	.100 (2.54)	1.0000-.067P-.2L-TS-2A
18	1.784 (45.31)	1.016 (25.81)	1.343 (34.11)	1.148 (29.16)	.128 (3.25)	.100 (2.54)	1.1250-.067P-.2L-TS-2A
20	1.910 (48.51)	1.109 (28.17)	1.444 (36.68)	1.252 (31.80)	.154 (3.91)	.125 (3.18)	1.2500-.067P-.2L-TS-2A
22	2.083 (52.91)	1.203 (30.56)	1.570 (39.88)	1.369 (34.77)	.154 (3.91)	.125 (3.18)	1.3750-.067P-.2L-TS-2A
24	2.200 (55.88)	1.312 (33.32)	1.704 (43.28)	1.509 (38.33)	.154 (3.91)	.125 (3.18)	1.5000-.067P-.2L-TS-2A

806-022 Panel Cutout Dimensions

Shell Size	A Sq	øB with Clinch Nut	øB without Clinch Nut	øC
7	.469 (11.91)	.128 (3.25)	.128 (3.25)	.443 (11.25)
8	.531 (13.49)	.128 (3.25)	.128 (3.25)	.509 (12.93)
9	.594 (15.09)	.128 (3.25)	.128 (3.25)	.577 (14.66)
10	.625 (15.88)	.128 (3.25)	.128 (3.25)	.645 (16.38)
11	.670 (17.02)	.128 (3.25)	.128 (3.25)	.712 (18.08)
12	.765 (19.43)	.128 (3.25)	.128 (3.25)	.768 (19.51)
14	.859 (21.82)	.128 (3.25)	.128 (3.25)	.890 (22.61)
16	.938 (23.83)	.128 (3.25)	.128 (3.25)	1.015 (25.78)
18	1.016 (25.81)	.128 (3.25)	.128 (3.25)	1.125 (28.58)
20	1.109 (28.17)	.128 (3.25)	.154 (3.91)	1.275 (32.39)
22	1.203 (30.56)	.128 (3.25)	.154 (3.91)	1.400 (35.56)
24	1.312 (33.32)	.128 (3.25)	.154 (3.91)	1.525 (38.73)



PC Tail Diameter

Contact Size	Diameter
#22 HD	.020 (0.51)
#20 HD	.030 (0.76)
#16	.062 (1.57)
#12	.094 (2.39)
#8	.180 (4.57)

NOTES

- Integral PCB Stand off 4x 4-40 UNC .156 (3.96) min thread and locating post