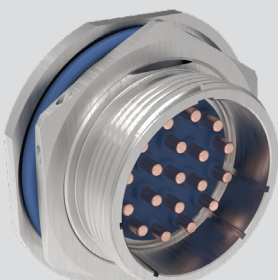


HERMETIC, MICRO MINIATURE CIRCULAR

# Series 806 Mil-Aero Connectors

## 806-087 Crimp Removable Hermetic Receptacle



Series 806 hermetic receptacles feature stainless steel shells and glass-to-metal seals. Rated for -65°C to +200°C temperature range. Micro miniature Series 806 connectors save size and weight compared to legacy aerospace-grade hermetic connectors. These high performance, parylene compatible connectors are suitable for pressurized bulkhead applications subject to vibration, moisture, and temperature extremes. The 806-087 receptacles are equipped with a crimp-removable termination system for vastly improved ease of use.

### Material/Finish

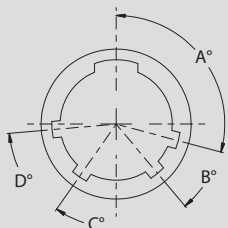
- Shell & jam-nut: 304L CRES/PER P/N DEV
- Contacts, hermetic: Nickel-iron alloy/gold plate
- Contacts, sockets: Copper alloy/gold plate
- Hoods, sockets: 305 CRES/passivate
- Insulator, hermetic: Vitreous glass
- Insulator, socket: High grade dielectric
- Seals & O-rings: Fluorosilicone

### Test Criteria

- Leak rate: <math>1 \times 10^{-7}</math> ccHe/sec @ 1 ATM. delta pressure
- DWV: Per Table II
- I.R.: 5000 MEGOHMS min @ 500 VDC

How To Order ThermoRex Series 806 Mil-Aero Jam-nut Receptacle								
SAMPLE PART NUMBER		806-087	-07	Z1	8-7	P	-B	A
Series / Basic Part No.	806-087 Crimp Removable Hermetic Receptacle							
Mounting Type	02 = Box Mount 03 = Solder Mount 07 = Jam-Nut Mount 13 = Weld Mount							
Finish	Z1 = Passivated ZL = Nickel Plated							
Shell Size - Insert Arr.	See Table I							
Contact Type	P = Pin S = Socket							
Rear Attachment Style	B = Banding Porch T = Accessory Threads							
Polarization	A, B, C, D							

### Polarization Key Code



POS	A°	B°	C°	D°
A	105°	140°	215°	265°
B	102°	170°	248°	305°
C	80°	150°	230°	295°
D	68°	140°	205°	275°
E	64°	155°	234°	304°
F	72°	120°	200°	298°

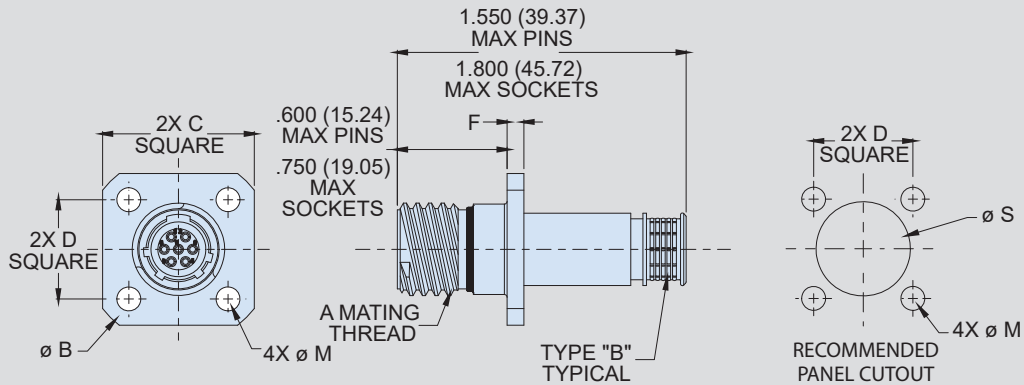
### Table II: DWV Voltage

Cont. Size	Volts RMS
22	1300
20	1800
16	1800
12	1800
8	1000

Table I: Shell Size - Insert Arrangement

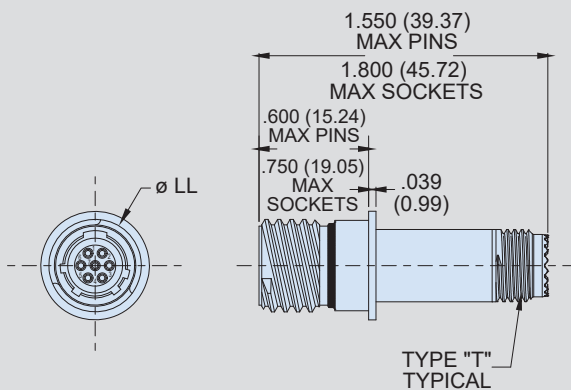
Contact Layout	Number of Contacts					Contact Layout	Number of Contacts					Contact Layout	Number of Contacts				
	22HD	20HD	16	12	8		22HD	20HD	16	12	8		22HD	20HD	16	12	8
7-3	3					22-69	69				18-3					3	
8-4	4					24-92	92				20-4					4	
8-7	7					8-1		1			22-5					5	
9-11	11					10-2		2			24-8					8	
10-15	15					11-4		4			10-8A	6		2			
11-19	19					12-5		5			11-13	11		2			
12-26	26					14-7		7			12-27	26		1			
14-39	39					16-12		12			14-21	17		4			
16-60	60					18-15		15			16-41	37		4			
18-85	85					20-22		22			18-59	55		4			
20-110	110					22-24		24			11-14	13			1		
22-140	140					24-35		35			12-14	12			2		
24-186	186					9-1			1		14-22	20			2		
8-3		3				12-2			2		16-32	28			4		
9-5		5				14-3			3		16-42	40			2		
10-8		8				16-4			4		18-62	60			2		
11-10		10				16-7			7		14-20A	19				1	
12-15		15				18-8			8		16-22	20				2	
14-20		20				20-11			11		18-21	18				3	
16-31		31				22-13			13		20-28	24				4	
18-41		41				24-19			19		22-44	40				4	
20-55		55				10-1				1	24-97	93				4	
						16-2				2							

**806-087-02 Box Mount Receptacle Dimensions**



Shell Size	"A" Thread Mating	"Ø B" Max Flange	"C" Square Max Flange Flats	"D" Square BSC Mounting Holes	"F" Max Flange	"Ø M" Thru MTG Holes	"Ø S" Thru
7	.4375-.067P-.2L-TS-2A	0.968 (24.59)	0.750 (19.05)	0.469 (11.91)	0.100 (2.54)	0.128 (3.25)	0.445 (11.30)
8	.5000-.067P-.2L-TS-2A	1.040 (26.42)	0.822 (20.88)	0.531 (13.49)			0.509 (12.93)
9	.5625-.067P-.2L-TS-2A	1.130 (28.70)	0.885 (22.48)	0.594 (15.09)			0.577 (14.66)
10	.6250-.067P-.2L-TS-2A	1.174 (29.82)	0.913 (23.19)	0.625 (15.88)			0.645 (16.38)
11	.6875-.067P-.2L-TS-2A	1.240 (31.50)	0.960 (24.38)	0.670 (17.02)			0.712 (18.08)
12	.7500-.067P-.2L-TS-2A	1.354 (34.39)	1.040 (26.42)	0.765 (19.43)			0.768 (19.51)
14	.8750-.067P-.2L-TS-2A	1.510 (38.35)	1.133 (28.78)	0.859 (21.82)	0.100 (2.54)	0.128 (3.25)	0.890 (22.61)
16	1.0000-.067P-.2L-TS-2A	1.620 (41.15)	1.227 (31.17)	0.938 (23.83)			1.015 (25.78)
18	1.1250-.067P-.2L-TS-2A	1.784 (45.31)	1.320 (33.53)	1.016 (25.81)	0.125 (3.18)	0.154 (3.91)	1.125 (28.58)
20	1.2500-.067P-.2L-TS-2A	1.910 (48.51)	1.444 (36.68)	1.109 (28.17)			1.275 (32.39)
22	1.3750-.067P-.2L-TS-2A	2.083 (52.91)	1.570 (39.88)	1.203 (30.56)			1.400 (35.56)
24	1.5000-.067P-.2L-TS-2A	2.200 (55.88)	1.696 (43.08)	1.312 (33.32)			1.525 (38.73)

**806-087-03 Solder Mount Receptacle Dimensions**



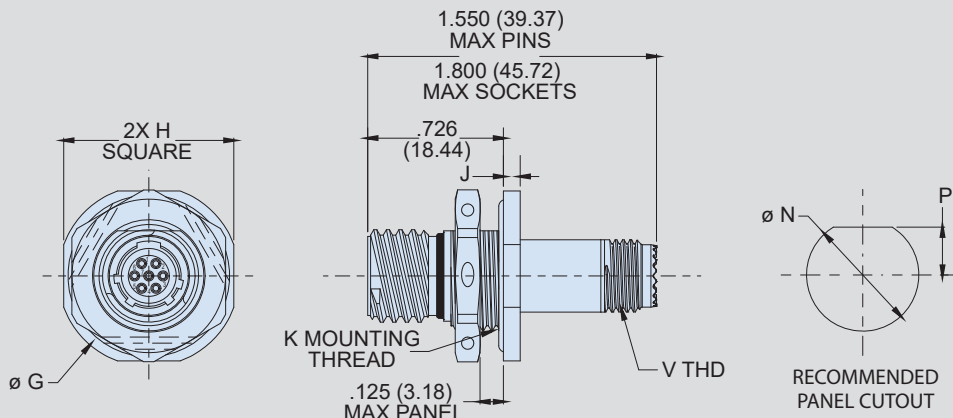
Shell Size	"A" Thread Mating	"Ø LL" Flange
7	.4375-.067P-.2L-TS-2A	0.520 (13.21)
8	.5000-.067P-.2L-TS-2A	0.581 (14.76)
9	.5625-.067P-.2L-TS-2A	0.649 (16.48)
10	.6250-.067P-.2L-TS-2A	0.717 (18.21)
11	.6875-.067P-.2L-TS-2A	0.784 (19.91)
12	.7500-.067P-.2L-TS-2A	0.841 (21.36)
14	.8750-.067P-.2L-TS-2A	0.962 (24.43)
16	1.0000-.067P-.2L-TS-2A	1.087 (27.61)
18	1.1250-.067P-.2L-TS-2A	1.197 (30.40)
20	1.2500-.067P-.2L-TS-2A	1.347 (34.21)
22	1.3750-.067P-.2L-TS-2A	1.472 (37.39)
24	1.5000-.067P-.2L-TS-2A	1.597 (40.56)

# Series 806 Mil-Aero Connectors

## 806-087 Crimp Removable Hermetic Receptacle

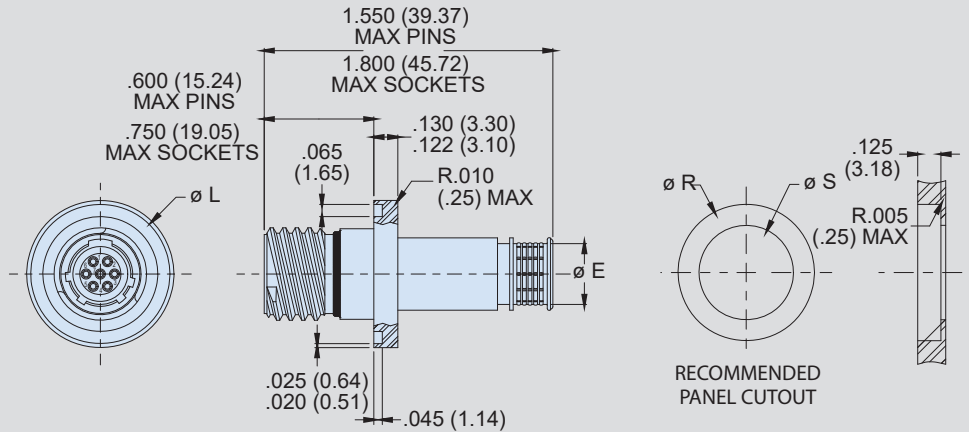


### 806-087-07 Jam-Nut Mount Receptacle Dimensions



Shell Size	"A" Thread Mating	" $\phi G$ " Max Flange	"H" Square Max Flange Flats	"J" Max Flange	"K" Thread Mounting	" $\phi N$ " +.005/-0.000 Mounting Hole	"P" +.005/-0.000 Mounting Flat	"V" Rear Accessory Thread
7	.4375-.067P-2L-TS-2A	0.848 (21.54)	0.908 (23.06)	0.100 (2.54)	M13 X 1-6g .100R	0.522 (13.26)	0.224 (5.69)	M8 X 1 6g .100R
8	.5000-.067P-2L-TS-2A	0.980 (24.89)	0.920 (23.37)		M15 X 1-6g .100R	0.601 (15.27)	0.256 (6.50)	M10 X 1 6g .100R
9	.5625-.067P-2L-TS-2A	1.040 (26.42)	0.980 (24.89)		M16 X 1-6g .100R	0.640 (16.26)	0.287 (7.29)	M12 X 1 6g .100R
10	.6250-.067P-2L-TS-2A	1.110 (28.19)	1.050 (26.67)		M18 X 1-6g .100R	0.719 (18.26)	0.318 (8.08)	M14 X 1 6g .100R
11	.6875-.067P-2L-TS-2A	1.160 (29.46)	1.110 (28.19)		M19 X 1-6g .100R	0.759 (19.28)	0.350 (8.89)	M15 X 1 6g .100R
12	.7500-.067P-2L-TS-2A	1.230 (31.24)	1.170 (29.72)		M21 X 1-6g .100R	0.837 (21.26)	0.381 (9.68)	M17 X 1 6g .100R
14	.8750-.067P-2L-TS-2A	1.360 (34.54)	1.320 (33.53)		M24 X 1-6g .100R	0.955 (24.26)	0.443 (11.25)	M19 X 1 6g .100R
16	1.0000-.067P-2L-TS-2A	1.515 (38.48)	1.444 (36.68)		M27 X 1-6g .100R	1.073 (27.25)	0.505 (12.83)	M22 X 1 6g .100R
18	1.1250-.067P-2L-TS-2A	1.610 (40.89)	1.570 (39.88)		M30 X 1-6g .100R	1.192 (30.28)	0.568 (14.43)	M25 X 1 6g .100R
20	1.2500-.067P-2L-TS-2A	1.850 (46.99)	1.760 (44.70)		0.128 (3.25)	M34 X 1-6g .100R	1.349 (34.26)	0.630 (16.00)
22	1.3750-.067P-2L-TS-2A	2.010 (51.05)	1.913 (48.59)	M37 X 1-6g .100R		1.467 (37.26)	0.693 (17.60)	M31 X 1 6g .100R
24	1.5000-.067P-2L-TS-2A	2.195 (55.75)	2.070 (52.58)	M41 X 1-6g .100R		1.624 (41.25)	0.755 (19.18)	M34 X 1 6g .100R

**806-087-13 Weld Mount Receptacle Dimensions**



Shell Size	"A" Thread Mating	" $\varnothing E$ " $\pm .005$ Banding Porch	" $\varnothing L$ " $\pm .002$ Flange	" $\varnothing R$ " $\pm .002$ MTG Hole	" $\varnothing S$ " Thru
7	.4375-.067P-.2L-TS-2A	0.265 (6.73)	0.725 (18.42)	0.730 (18.54)	0.445 (11.30)
8	.5000-.067P-.2L-TS-2A	0.327 (8.31)	0.788 (20.02)	0.793 (20.14)	0.509 (12.93)
9	.5625-.067P-.2L-TS-2A	0.406 (10.31)	0.912 (23.16)	0.917 (23.29)	0.577 (14.66)
10	.6250-.067P-.2L-TS-2A	0.484 (12.29)	0.975 (24.76)	0.980 (24.89)	0.645 (16.38)
11	.6875-.067P-.2L-TS-2A	0.524 (13.31)	1.038 (26.37)	1.043 (26.49)	0.712 (18.08)
12	.7500-.067P-.2L-TS-2A	0.603 (15.32)	1.100 (27.94)	1.105 (28.07)	0.768 (19.51)
14	.8750-.067P-.2L-TS-2A	0.681 (17.30)	1.225 (31.12)	1.230 (31.24)	0.890 (22.61)
16	1.0000-.067P-.2L-TS-2A	0.782 (19.86)	1.350 (34.29)	1.355 (34.42)	1.015 (25.78)
18	1.1250-.067P-.2L-TS-2A	0.899 (22.83)	1.475 (37.47)	1.480 (37.59)	1.125 (28.58)
20	1.2500-.067P-.2L-TS-2A	1.043 (26.49)	1.600 (40.64)	1.605 (40.77)	1.275 (32.39)
22	1.3750-.067P-.2L-TS-2A	1.155 (29.34)	1.725 (43.82)	1.730 (43.94)	1.400 (35.56)
24	1.5000-.067P-.2L-TS-2A	1.273 (32.33)	1.850 (46.99)	1.855 (47.12)	1.525 (38.73)