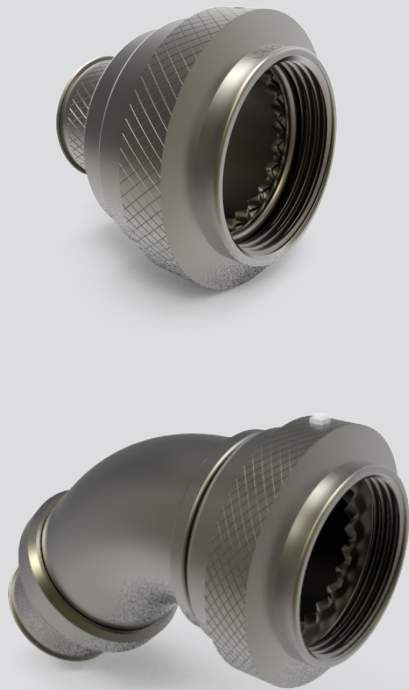


# Series 806

# Mil-Aero Connectors

## 440V\*213 Fiber Optic Connector Backshells



Series 44 environmental backshells with swept 45° and 90° profiles are ideal for combo copper /fiber insert arrangements where EMI/RFI shielding and environmental sealing are needed. Anti-decoupling device for improved vibration resistance and detents to allow for axial positioning of backshell for improved cable routing.

| How To Order 440V Environmental Backshell |  |   |     |    |    |    |    |   |   |   |
|---|--|---|-----|----|----|----|----|---|---|---|
| SAMPLE PART NUMBER                        | 440V   | S | 213 | MT | 20 | 12 | -8 | B | P | T |
| <b>Product</b>                            | 440V = Series 806 Backshell  |   |     |    |    |    |    |   |   |   |
| <b>Angular Function</b>                   | S = Straight N = 90° M = 45°   |   |     |    |    |    |    |   |   |   |
| <b>Basic No.</b>                          | 213  |   |     |    |    |    |    |   |   |   |
| <b>Finish Code</b>                        | ME = Aluminum Alloy; Electroless Nickel<br>NF = Aluminum Alloy; Cadmium/O.D. over Electroless Nickel (500 hr salt spray)<br>MT = Aluminum Alloy; Electroless Nickel-PTFE<br>ZR = Aluminum Alloy; Zinc Nickel, Black over Electroless Nickel<br>Z1 = Stainless Steel; Passivate |   |     |    |    |    |    |   |   |   |
| <b>Shell Size</b>                         | See  |   |     |    |    |    |    |   |   |   |
| <b>Dash Number</b>                        | See Table III  |   |     |    |    |    |    |   |   |   |
| <b>Length</b>                             | Length in 1/8 Inch Increments (8 = 1 inch); See Note 3   |   |     |    |    |    |    |   |   |   |
| <b>Band Option</b>                        | B = Band K = Precoiled; omit if not required   |   |     |    |    |    |    |   |   |   |
| <b>Shield Termination Finish</b>          | P = Polysulfide Plating Shield; See Note 4   |   |     |    |    |    |    |   |   |   |
| <b>Shrink Boot Material Options</b>       | See Table II; See Note 5   |   |     |    |    |    |    |   |   |   |

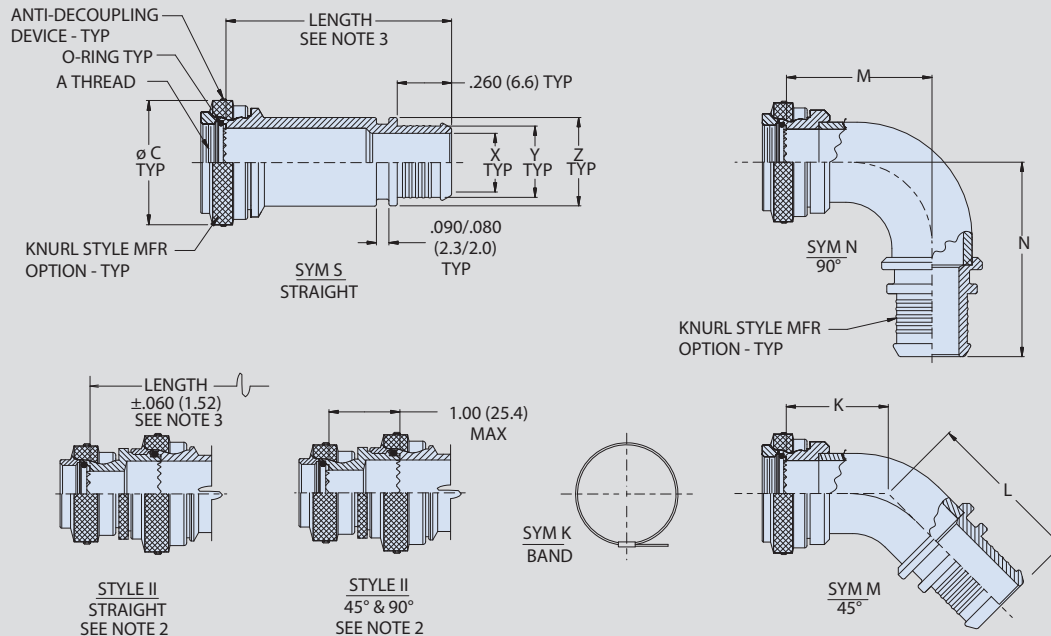
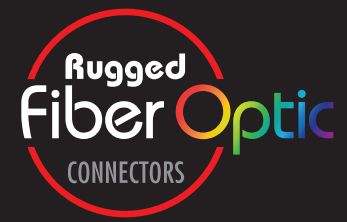
**Table II: Shrink Boot Options**

| Code | Description   |
|------|---|
| T    | Standard Fluid Resistant Elastomer With Adhesive Pre-Applied                |
| TU   | Standard Fluid Resistant Elastomer  |
| N    | Radiation Resistant Polyolefin, -50°C To 150°C (No Adhesive Option)         |
| S    | Low Outgassing Fluoropolymer; Use 779-001 As Adhesive Option (Not Included) |
| SU   | Low-Outgassing Fluoropolymer, See Table III; Omit For None                  |

**TABLE III**

| Dash No | X Dia         | Y Dia         | Z Dia         | Shrink Boot T Or H Ref | Shrink Boot w/Adhesive |
|---------|---------------|---------------|---------------|------------------------|------------------------|
| 02      | 0.125 (3.18)  | 0.165 (4.19)  | 0.266 (6.76)  | 809S060-1*U            | 809S060-1*             |
| 03      | 0.188 (4.78)  | 0.228 (5.79)  | 0.329 (8.36)  | 809S060-1*U            | 809S060-1*             |
| 04      | 0.250 (6.35)  | 0.290 (7.37)  | 0.391 (9.93)  | 809S060-2*U            | 809S060-2*             |
| 05      | 0.312 (7.92)  | 0.353 (8.97)  | 0.453 (11.51) | 809S060-2*U            | 809S060-2*             |
| 06      | 0.375 (9.52)  | 0.415 (10.54) | 0.516 (13.11) | 809S060-2*U            | 809S060-2*             |
| 07      | 0.438 (11.13) | 0.478 (12.14) | 0.579 (14.71) | 809S060-2*U            | 809S060-2*             |
| 08      | 0.500 (12.70) | 0.540 (13.72) | 0.641 (16.28) | 809S060-3*U            | 809S060-3*             |
| 09      | 0.562 (14.27) | 0.603 (15.32) | 0.703 (17.86) | 809S060-3*U            | 809S060-3*             |
| 10      | 0.625 (15.88) | 0.665 (16.89) | 0.766 (19.46) | 809S060-3*U            | 809S060-3*             |
| 11      | 0.688 (17.48) | 0.728 (18.49) | 0.829 (21.06) | 809S060-4*U            | 809S060-4*             |
| 12      | 0.750 (19.05) | 0.800 (20.32) | 0.891 (22.63) | 809S060-4*U            | 809S060-4*             |
| 13      | 0.812 (20.62) | 0.863 (21.92) | 0.953 (24.21) | 809S060-4*U            | 809S060-4*             |
| 14      | 0.875 (22.23) | 0.925 (23.50) | 1.016 (25.81) | 809S060-5*U            | 809S060-5*             |
| 15      | 0.938 (23.83) | 0.988 (25.10) | 1.079 (27.41) | 809S060-5*U            | 809S060-5*             |
| 16      | 1.000 (25.40) | 1.050 (26.67) | 1.141 (28.98) | 809S060-5*U            | 809S060-5*             |
| 17      | 1.062 (26.97) | 1.113 (28.27) | 1.203 (30.56) | 809S060-6*U            | 809S060-6*             |
| 18      | 1.125 (28.58) | 1.175 (29.85) | 1.266 (32.16) | 809S060-6*U            | 809S060-6*             |
| 20      | 1.250 (31.75) | 1.310 (33.27) | 1.391 (35.33) | 809S060-6*U            | 809S060-6*             |

# FIBER OPTIC, MICRO MINIATURE CIRCULAR Series 806 Mil-Aero Connectors 440V\*213 Fiber Optic Connector Backshells



**TABLE I**

| Shell Size | A Thread   | Ø C Max      | K Max       | L Max        | M Max        | N Max        | Max Dash No. |
|------------|------------|--------------|-------------|--------------|--------------|--------------|--------------|
| 08         | M10 x 1-6H | .692(17.58)  | .790(20.07) | .965(24.51)  | .940(23.88)  | 1.125(28.58) | 04           |
| 09         | M12 x 1-6H | .786(19.96)  | .790(20.07) | .965(24.51)  | .940(23.88)  | 1.125(28.58) | 05           |
| 10         | M14 x 1-6H | .883(22.43)  | .790(20.07) | 1.035(26.29) | .970(24.64)  | 1.225(31.12) | 06           |
| 11         | M15 x 1-6H | .911(23.14)  | .790(20.07) | 1.035(26.29) | .970(24.64)  | 1.225(31.12) | 07           |
| 12         | M17 x 1-6H | 1.002(25.45) | .830(21.08) | 1.115(28.32) | 1.040(26.42) | 1.325(33.66) | 08           |
| 14         | M19 x 1-6H | 1.066(27.08) | .830(21.08) | 1.115(28.32) | 1.040(26.42) | 1.325(33.66) | 09           |
| 16         | M22 x 1-6H | 1.196(30.38) | .840(21.34) | 1.185(30.10) | 1.080(27.43) | 1.425(36.20) | 11           |
| 18         | M25 x 1-6H | 1.311(33.30) | .890(22.61) | 1.265(32.13) | 1.140(28.96) | 1.515(38.48) | 13           |
| 20         | M28 x 1-6H | 1.430(36.32) | .920(23.37) | 1.335(33.91) | 1.210(30.73) | 1.615(41.02) | 15           |
| 22         | M31 x 1-6H | 1.548(39.32) | .950(24.13) | 1.395(35.43) | 1.280(32.51) | 1.715(43.56) | 17           |
| 24         | M34 x 1-6H | 1.696(43.08) | .970(24.64) | 1.455(36.96) | 1.330(33.78) | 1.815(46.10) | 18           |

## NOTES

- For effective grounding connector with conductive finish should be used
- When Cable entry exceeds max. in Table I, Style II will be supplied. Dimensions F, G, H, J, K, L, M & N will not apply
- Standard minimum length for style I is 0.75, for style II is 1.5 inches, for shorter length, consult factory, applies to SYM S, straight only
- When polysulfide barrier is selected for plating shield termination surface shall be free of cadmium.
- See 809-060 for additional shrink boot options
- Material / Finish:
  - Adapters, elbows, coupling nut; see How-to-Order table
  - Anti-decoupling device: corrosion resistant material
  - O-rings: silicone/N.A.
  - Shrink boot: see individual drawings
  - Band: CRES/passivated